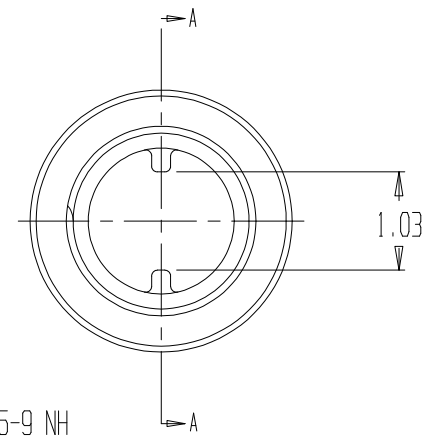
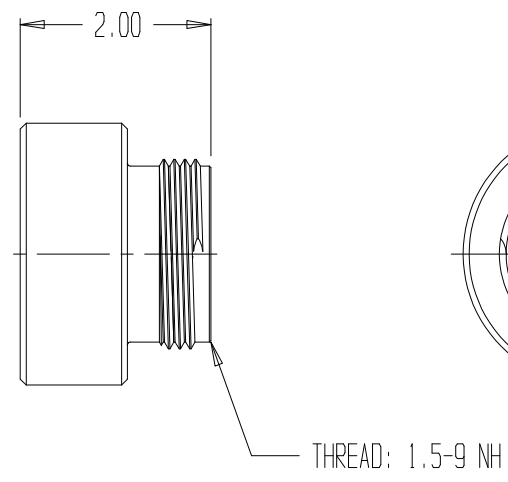
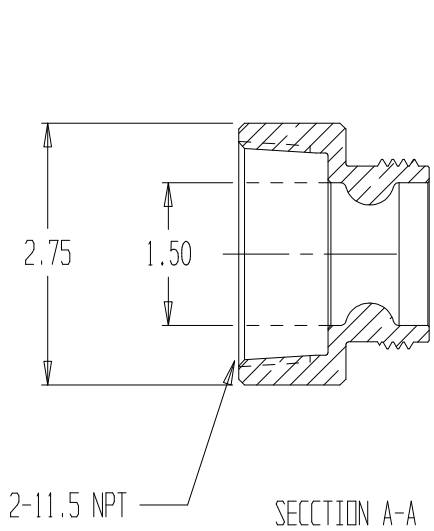


REVISIONS				
REV	DESCRIPTION	DATE	DRAWN BY	APPROVED
.
.



- NOTES:
- 1) CHROME PLATED
 - 2) MATERIAL: BRASS
 - 3) STRAINER INCLUDED, NOT SHOWN



ADAPTER, 2" FNPT x 1.5" MNH

REPORT ERRORS & CHANGES
REMOVE ALL SHARP EDGES
UNLESS OTHERWISE SPECIFIED
ALL DIMENSIONS ARE IN INCHES

STANDARD TOLERANCES:

DECIMALS	ANGLES
.XX ± .030	± 1/2°
.XXX ± .015	

DRAWING NOT TO BE REPRODUCED OR USED TO MAKE OTHER DRAWINGS OR MACHINERY		COPYRIGHT ©	SIZE	DWG NO.	REV
DRAWN BY	MS	DATE 05/23/2002	A	01.053.5PC	.
CHECKED BY	MS	SCALE 1:2	SHEET 1 OF 1		