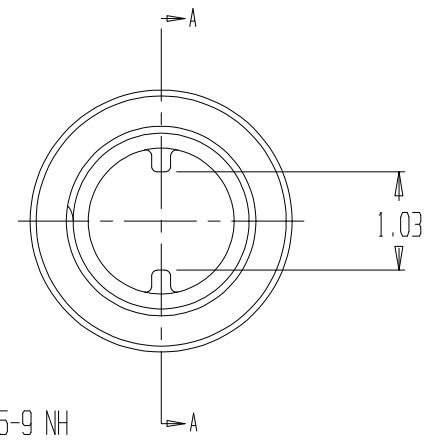
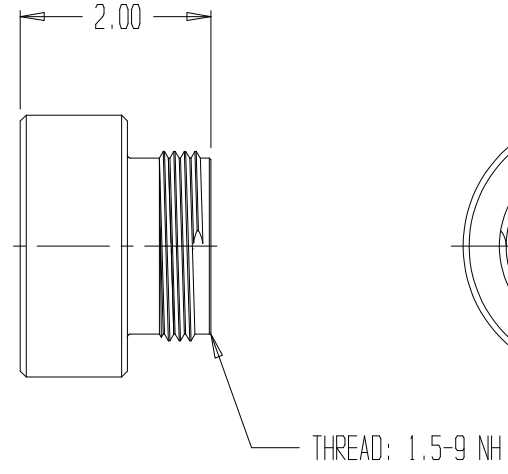
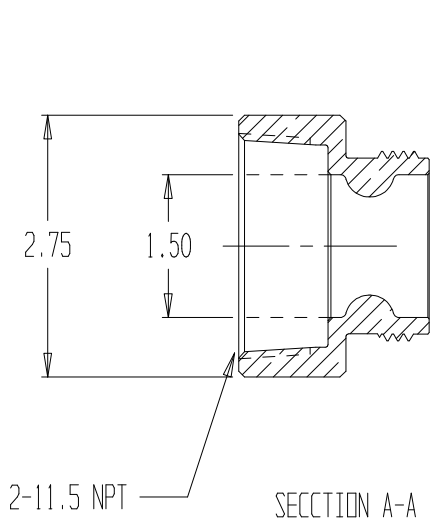


REVISIONS				
REV	DESCRIPTION	DATE	DRAWN BY	APPROVED
.	.	.	.	.
.	.	.	.	.



- NOTES:  
 2) CHROME PLATED  
 3) MATERIAL: BRASS



ADAPTER, 2" FNPT x 1.5" MNH

REPORT ERRORS & CHANGES  
 REMOVE ALL SHARP EDGES  
 UNLESS OTHERWISE SPECIFIED  
 ALL DIMENSIONS ARE IN INCHES

STANDARD TOLERANCES:

DECIMALS	ANGLES
.XX ± .030	± 1/2°
.XXX ± .015	

DRAWING NOT TO BE REPRODUCED OR USED TO MAKE OTHER DRAWINGS OR MACHINERY		COPYRIGHT ©	SIZE A	DWG NO.	REV
DRAWN BY	MS	DATE 05/23/2002	SCALE 1:2	01.053.0PC	.
CHECKED BY	MS				
				SHEET 1 OF 1	