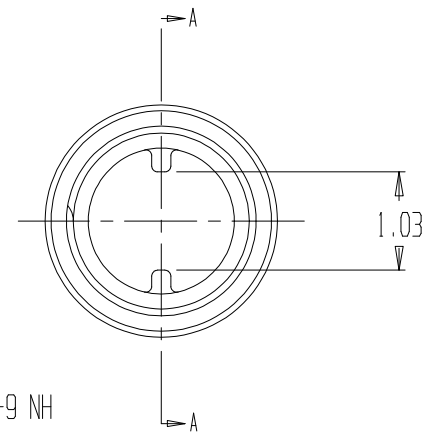
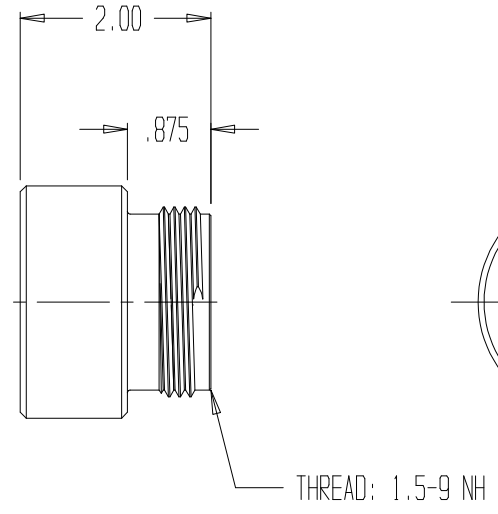
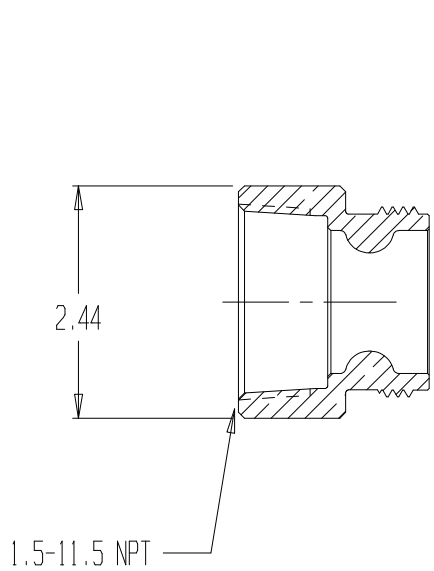


REVISIONS				
REV	DESCRIPTION	DATE	DRAWN BY	APPROVED
.
.



NOTES:
 2) CHROME PLATED
 3) MATERIAL: BRASS



ADAPTER, 1.5" FNPT x 1.5" MNH

REPORT ERRORS & CHANGES
 REMOVE ALL SHARP EDGES
 UNLESS OTHERWISE SPECIFIED
 ALL DIMENSIONS ARE IN INCHES

STANDARD TOLERANCES:

DECIMALS	ANGLES
.XX ± .030	± 1/2°
.XXX ± .015	

DRAWING NOT TO BE REPRODUCED OR USED TO MAKE OTHER DRAWINGS OR MACHINERY		COPYRIGHT ©	SIZE	DWG NO.	REV
DRAWN BY	MS	DATE 05/23/2002	A	01.042.0PC	.
CHECKED BY	MS	SCALE 1:2	SHEET 1 OF 1		