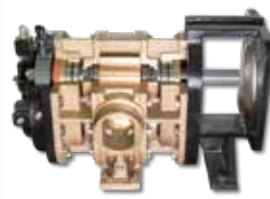


# TRIDENT

EMERGENCY PRODUCTS, LLC

Performance. Delivered.



Effective March 1, 2022

World Class Fire Industry Products

2022

# TRIDENT

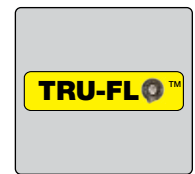
## World Class Fire Industry Products

### Message from Mike Sulmone of Trident Emergency Products:

Our company is guided by the age old, and often overlooked philosophy of uncompromised customer service. We strive to design, manufacture and provide innovative products and components that are user friendly, easy to install and economically priced. The goal of our entire organization is to excel when it comes to apparatus plumbing and hardware items. We enjoy working with all customers, both large and small to help them save time and money while exceeding their expectations in everything we do. There is no higher priority in our company than delivering quality products and complete customer satisfaction!

### Several of our most popular trademarked products include:

- ◆ **AirPrime™** Our exclusive, patented fire pump primer that operates with air from the chassis air brake system. Automatic or manual operation is available with single or multi-location priming points. Perfect for use on both new installations and retrofits.
- ◆ **AirMax™** Our unique, air operated and remote controlled intake relief valve system comes with a panel-mounted variable pressure control and indicator. Adjustable air regulator allows the valve to open fully at the set opening pressure.
- ◆ **GP Series™** Rotary gear pumps for Foam Systems. Seven models ranging from 30-500 GPM [115 - 1890 LPM]. Manufactured using all brass and stainless steel components. Timing gear design eliminates rotor-to-rotor contact reducing wear, allowing for run dry conditions and system testing, calibration and training with water. UL Listed models are available.
- ◆ **FOAMATE™** User friendly around-the-pump Class A and B foam proportioner's. Available in both GPM and LPM calibrations. All brass body and connections with stainless steel internal components. Components for Balanced Pressure Foam Systems.
- ◆ **Tru-Flo™** Slow-Close valve control designed specifically for fire apparatus. Patented hand-wheel with dial indicator read-out that remains stationary and readable. When hand-wheel is rotated the valve position is displayed, from fully closed to full open.
- ◆ **Equalizer™** Our patented standard design for venting fire hose caps and plugs. Grooved, vented threads allow trapped pressure to escape prior to the cap or plug being removed. A simple, innovative safety device conforming to NFPA 1901 and 1906.
- ◆ **NextStep™** Our trademarked folding steps are available with a lighted step surface or a luminescent tread, both offer a non-slip design for optimum safety - even in the dark! Corrosion-proof, light-weight, high-strength alloy and easy 2-bolt installation.
- ◆ **HOSEMATE™** An innovative inline device designed to avoid kinks in supply and discharge hoselines. Enhances fireground safety by allowing water to flow freely to the fire pump and nozzle when included on your intake and discharge hoselines.



FIRE  
APPARATUS  
MANUFACTURERS'  
ASSOCIATION

a

MEMBER

### Trident Emergency Products, LLC

2940 Turnpike Drive | Suite #9 | Hatboro, PA 19040 USA

(215) 293-0700 Phone

(215) 293-0701 Fax

[sales@tridentdirect.com](mailto:sales@tridentdirect.com) Email

[TridentDirect.com](http://TridentDirect.com)



**Factory Team**



**Mike Sulmone**  
 Founder  
 x105  
 msulmone@tridentdirect.com



**Ryan Sirchio**  
 Operations Manager  
 x104  
 rsirchio@tridentdirect.com



**Nick Capaldo**  
 Product Engineer  
 x103  
 ncapaldo@tridentdirect.com



**Jevon Avis**  
 Product Engineer  
 x118  
 javis@tridentdirect.com



**Kevin Sullivan**  
 Foam Products Manager  
 x108  
 ksullivan@tridentdirect.com



**Tony Sulmone**  
 Foam Products  
 x112  
 asulmone@tridentdirect.com



**Mike McCracken**  
 Product Coordinator  
 x106  
 mmccracken@tridentdirect.com



**Rich Huhn**  
 Marketing and Events  
 x109  
 rhuhn@tridentdirect.com



**Colleen Fullerton**  
 Account Manager  
 x101  
 cfullerton@tridentdirect.com



**Joyce Harskuti**  
 Customer Service  
 x102  
 jharskuti@tridentdirect.com

**Sales Team**

**Brian Van Daalwyk**  
 (267) 673-7679  
 Sales Manager  
 bvandaalwyk@tridentdirect.com



**General Product Support**  
 North America

**Parker Browne**  
 (330) 612-3567  
 Product Specialist  
 parker@tridentdirect.com



**AirPrime™ Support**  
 North America

**Bill Graves**  
 (201) 522-4377  
 Eastern Sales Support  
 wgraves@tridentdirect.com



**Product Support**  
 Eastern USA

**Gary Handwerk**  
 (352) 895 0998  
 Applications Engineering  
 ghandwerk@tridentdirect.com



**Product Support**  
 International

**Mark Biernat**  
 (866) 595-1142  
 Canadian Sales Support  
 mbiernat@ican.net



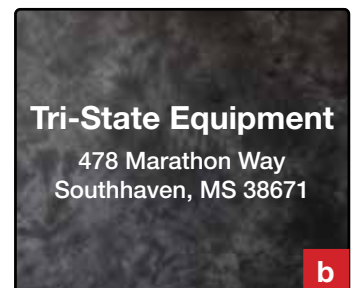
**Alan Saulsbury**  
 +1 (607) 423-7312  
 International Sales Support  
 asaulsbury@tridentdirect.com



**Elaine Zhou**  
 +86-21-52905727  
 China Sales Support  
 elainzhou@watersfire.com



**Tri-State Equipment**  
 (817) 961-0062  
 States Covered:  
 NM, TX, OK, AR, LA, MS, TN



# Abbreviation List



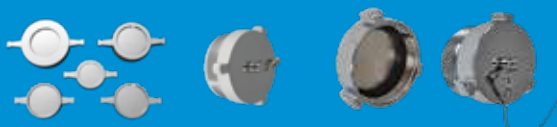

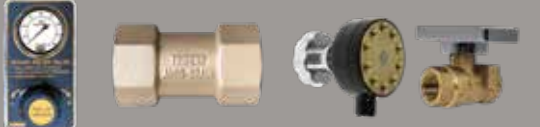






Abbreviation	Meaning
AMA	Alberta Mutual Aid Threads
ASTM	American Society for Testing and Materials
ATP	Around The Pump (Foam System)
BAR	Metric Unit of Pressure
BCT	British Columbia Threads
BSP	British Straight Pipe Thread (Also known as Whitworth Thread)
CAFS	Compressed Air Foam System
CFM	Cubic Feet per Minute (Air Flow)
Class A	Class A Foam - Normal Combustable Fires
Class B	Class B Foam - Hydrocarbon Fires
Chrome	Chrome Plated Brass
CR-13	Chrome Plated Aluminum
CSA	Canadian Standards Association
EPDM	Ethylene Propylene Diene Monomer Rubber
F	Female Threads
FAMA	Fire Apparatus Manufacturers Association
FM	Female Threads
GHT	Garden Hose Thread
GPM	Gallons per Minute
Hard Coat	Hard Anodized Aluminum (Corrosion Resistant)
LDH	Large Diameter Hose
LED	Light Emitting Diode
LPM	Liters per Minute (Metric Flow)
M	Male Threads
MNT	Mount
NFPA	National Fire Protection Association
NH/NST	National Hose Thread or National Standard Thread (These are the same)
NI Plated	Nickle Plated
NPSH (Pump)	Net Positive Suction Head
NPSH (Threads)	National Pipe Straight Hose (Threads)
NPT	National Pipe Tapered Thread
NSS	Nova Scotia Standard Threads
NST/NH	National Standard Thread or National Hose Thread
P/N	Part Number
PEI	Prince Edward Island Threads
PPV	Pressure Protection Valve
PSI	Pounds per Square Inch (Pressure)
PTO	Power Take Off
QST	Province of Quebec Standard Threads
TPI	Threads Per Inch
TRV	Thermal Relief Valve
VIC	Victaulic™ Grooved Connection
WCT	Western Canada Fire Underwriters Association Threads

## Abbreviations Used in Columns Throughout This Catalog. Listed in Numerical/Alphabetical Order.

<b>12V</b>	12 Volt	<b>CR</b>	CR-13 Plated Aluminum	<b>M</b>	Manual	<b>SL</b>	Silver
<b>24V</b>	24 Volt	<b>D-C</b>	Die Cast	<b>NH</b>	National Hose Thread	<b>SP</b>	Special Thread
<b>4B</b>	4 Bolt	<b>DF</b>	Double Female	<b>NI</b>	Nickel Plated	<b>SS</b>	Stainless Steel
<b>4BT</b>	4 Bolt Threaded	<b>DM</b>	Double Male	<b>NPT F</b>	National Pipe Thread Female	<b>SST</b>	Spring Steel
<b>AC</b>	As Cast	<b>EL</b>	Electric	<b>NPT M</b>	National Pipe Thread Male	<b>TH</b>	Threaded
<b>AL</b>	Aluminum	<b>FN</b>	Fiber Nitrile	<b>NPSH</b>	National Pipe Straight Hose	<b>TM</b>	Top Mount
<b>BB</b>	Barbed	<b>GS</b>	Glass/Steel	<b>NY</b>	Nylon	<b>VE</b>	Valve End
<b>BE</b>	Beaded Chain	<b>HC</b>	Hard Coat	<b>P</b>	Poly	<b>VIC</b>	Victaulic
<b>BR</b>	Plain Brass	<b>HX</b>	Hex	<b>PR</b>	Pull Rod	<b>WC</b>	Wire Braided Cable
<b>CH</b>	Chrome Plated Brass	<b>IL</b>	Internal Lug	<b>RB</b>	Rubber	<b>WM</b>	Wire Mesh
<b>CMP</b>	Composite	<b>LH</b>	Long Handle	<b>RL</b>	Rocker Lug	<b>Z</b>	Zinc



# Catalog Index

<b>Pipe Adapters</b>	<ul style="list-style-type: none"> <li>▶ Female NPT x Male Hose Thread</li> <li>▶ Female NPT x Female Swivel Hose Thread</li> <li>▶ Male Pipe x Female Swivel Hose Thread</li> <li>▶ Male NPT x Victaulic Grooved Connection</li> </ul>		<b>Pages 1 - 5</b>
<b>Hose Adapters</b>	<ul style="list-style-type: none"> <li>▶ Garden Hose Adapters (GHT)</li> <li>▶ Hose Thread x Hose Thread</li> <li>▶ Double Female Adapters</li> <li>▶ Double Male Adapters</li> </ul>		<b>Pages 6 - 12</b>
<b>Plugs and Caps</b>	<ul style="list-style-type: none"> <li>▶ Hose Plugs</li> <li>▶ Hose Caps</li> <li>▶ Long Handle Hose Caps</li> </ul>		<b>Pages 13 - 18</b>
<b>Elbows</b>	<ul style="list-style-type: none"> <li>▶ 30°, 45°, 90°</li> <li>▶ Front Suction</li> <li>▶ Front Discharge</li> <li>▶ Chicksan</li> </ul>		<b>Pages 19 - 26</b>
<b>Control Valves</b>	<ul style="list-style-type: none"> <li>▶ Valves and Drains</li> <li>▶ Master Drain Valves</li> <li>▶ Ball Valves</li> <li>▶ AirMax Intake Relief Valves</li> </ul>		<b>Pages 27 - 28</b>
<b>Hardware</b>	<ul style="list-style-type: none"> <li>▶ Gauge Test Port Panel</li> <li>▶ Panel Mounted Strainer</li> <li>▶ Folding Steps</li> </ul>		<b>Page 29</b>
<b>Valve Operators</b>	<ul style="list-style-type: none"> <li>▶ Top Mount Pump Panel</li> <li>▶ Side Mount Pump Panel</li> <li>▶ Pump Panel Accessories</li> <li>▶ Hand-Wheel Valve Controls</li> </ul>		<b>Pages 30 - 32</b>
<b>Wildland</b>	<ul style="list-style-type: none"> <li>▶ Aluminum Valves and Manifolds</li> <li>▶ Brass Valves and Aluminum Manifolds</li> <li>▶ Aluminum Fittings</li> <li>▶ Foamate 1.0 ATP Foam Proportioner</li> </ul>		<b>Pages 33 - 38</b>
<b>AirPrime</b>	<ul style="list-style-type: none"> <li>▶ Automatic Single and Multi Location Priming System</li> <li>▶ Manual Single and Multi Location Priming System</li> <li>▶ Industrial Automatic Priming System</li> <li>▶ Small Pump Manual Priming System</li> </ul>		<b>Pages 39 - 42</b>
<b>Foam Products</b>	<ul style="list-style-type: none"> <li>▶ Foam Pumps</li> <li>▶ Foam Controls and Valves</li> <li>▶ Foamate ATP Proportioners</li> </ul>		<b>Pages 43 - 51</b>
<b>Spare Parts, Kits and Information</b>	<ul style="list-style-type: none"> <li>▶ Spare and Replacement Parts</li> <li>▶ Warranty and Safety</li> <li>▶ Customer Service</li> <li>▶ Panel Templates</li> </ul>		<b>Pages 52 - 57</b>

# NPT Pipe Adapters

Rigid Female x Male Hose

RL	=	Rocker Lug
IL	=	Internal Lug
HX	=	Hex



Description	Threads	Type	Finish	Part #
<b>.75" Pipe Adapter - Rigid Female x Male</b>				
.75"F NPT x 0.75"M GHT, Plated Brass	NPT/GHT	HX	CH	01.141.0
<b>1.0" Pipe Adapter - Rigid Female x Male</b>				
1.0"F NPT x 0.75"M GHT, Plated Brass	NPT/GHT	HX	CH	01.127.0
1.0"F NPT x .75"/1.0"M NH, Plated Brass	NPT/NH	HX	CH	01.059.0
<b>1.5" Pipe Adapter - Rigid Female x Male</b>				
1.5"F NPT x .75"M/1.0" NH, Plated Brass	NPT/NH	HX	CH	01.072.0
1.5"F NPT x 1.5"M NH, Plated Brass	NPT/NH	IL	CH	01.042.0
1.5"F NPT x 1.5"M NH, Plated Brass w/Strainer	NPT/NH	IL	CH	01.042.5
<b>2" Pipe Adapter - Rigid Female x Male</b>				
2.0"F NPT x 1.5"M NH, Plated Brass	NPT/NH	IL	CH	01.053.0
2.0"F NPT x 1.5"M NH, Plated Brass w/Strainer	NPT/NH	IL	CH	01.053.5
2.0"F NPT x 1.5"M NPSH, Plated Brass	NPT/NPSH	IL	CH	01.053.10
<b>2.5" Pipe Adapter - Rigid Female x Male (NH)</b>				
2.5"F NPT x 1.5"M NH, Plated Brass	NPT/NH	HX	CH	01.074.0
2.5"F NPT x 1.5"M NH, Plated Brass w/Strainer	NPT/NH	HX	CH	01.074.5
2.5"F NPT x 2.5"M NH, Plated Brass	NPT/NH	IL	CH	01.001.0
2.5"F NPT x 2.5"M NH, Plated Brass w/Strainer	NPT/NH	IL	CH	01.001.6
2.5"F NPT x 2.5"M NH, Brass	NPT/NH	IL	BR	01.001.1
2.5"F NPT x 2.5"M NH, Plated Brass, 3.63" Overall Length	NPT/NH	IL	CH	01.001.2
2.5"F NPT x 2.5"M NH, Plated Brass	NPT/NH	HX	CH	01.001.7
2.5"F NPT x 3"M NH, Plated Brass	NPT/NH	IL	CH	01.075.0
2.5"F NPT x 3"M NH, Plated Brass w/Strainer	NPT/NH	IL	CH	01.075.5
<b>2.5" Pipe Adapter - Rigid Female x Male (Special Thread)</b>				
2.5" F NPT x (2.990" x 8 TPI) M, Plated Brass	NPT/AMA	IL	CH	01.S01.17
2.5" F NPT x (2.990" x 8 TPI) M, Brass	NPT/AMA	IL	BR	01.S01.8
2.5"F NPT x (3.000" x 8 TPI) M, Plated Brass	NPT/BCT	IL	CH	01.S01.1
2.5"F NPT x (3.000" x 8 TPI) M, Brass	NPT/BCT	IL	BR	01.S01.2
2.5"F NPT x (3.125" x 5 TPI) M, Plated Brass	NPT/CSA	IL	CH	01.S01.15
2.5"F NPT x (3.125" x 5 TPI) M, Brass	NPT/CSA	IL	BR	01.S01.16
2.5"F NPT x (3.230" x 5 TPI) M, Plated Brass	NPT/NSS	IL	CH	01.S01.21
2.5"F NPT x (3.250" x 5 TPI) M, Plated Brass	NPT/PEI	IL	CH	01.S01.20
2.5"F NPT x (3.031" x 7 TPI) M, Plated Brass	NPT/QST	IL	CH	01.S01.23
2.5"F NPT x (3.250" x 6 TPI) M, Plated Brass	NPT/WCT	IL	CH	01.S01.22
2.5"F NPT x (2.960" x 11 TPI) M, Brass	NPT/BSP	IL	BR	01.S01.24
2.5"F NPT x (2.841" x 8 TPI) M, Plated Brass	NPT/SP	IL	CH	01.S01.25
2.5"F NPT x (2.990" x 7.5 TPI) M, Plated Brass	NPT/SP	IL	CH	01.S01.4
2.5"F NPT x (2.990" x 8 TPI) M, Brass	NPT/SP	IL	BR	01.S01.6
2.5"F NPT x (3.030" x 8 TPI) M, Plated Brass	NPT/SP	IL	CH	01.S01.31
2.5"F NPT x (3.055" x 6 TPI) M, Plated Brass	NPT/SP	IL	CH	01.S01.29
2.5"F NPT x (3.062" x 6 TPI) M, Plated Brass	NPT/SP	IL	CH	01.S01.10
2.5"F NPT x (3.062" x 7 TPI) M, Plated Brass	NPT/SP	IL	CH	01.S01.32
2.5"F NPT x (3.062" x 8 TPI) M, Plated Brass	NPT/SP	IL	CH	01.S01.11
2.5"F NPT x (3.125" x 6 TPI) M, Plated Brass	NPT/SP	IL	CH	01.S01.33
2.5"F NPT x (3.250" x 5 TPI) M, Plated Brass	NPT/PEI	IL	CH	01.S01.0

NPT Pipe Adapters



RL	=	Rocker Lug
IL	=	Internal Lug
HX	=	Hex

# NPT Pipe Adapters

Rigid Female x Male

Description	Threads	Type	Finish	Part #
<b>2.5" Pipe Adapter - Rigid Female x Male (Special Thread)</b>				
2.5"F NPT x (3.075" x 6 TPI) M, Plated Brass	NPT/SP	IL	CH	01.S01.26
2.5"F NPT x (3.077" x 7 TPI) M, Plated Brass	NPT/SP	IL	CH	01.S01.19
2.5"F NPT x (3.078" x 8 TPI) M, Plated Brass	NPT/SP	IL	CH	01.S01.12
2.5"F NPT x (3.095" x 6 TPI) M, Plated Brass	NPT/SP	IL	CH	01.S01.5
2.5"F NPT x (3.125" x 5 TPI) M, Plated Brass	NPT/SP	IL	CH	01.S01.15
2.5"F NPT x (3.125" x 5 TPI) M, Brass	NPT/SP	IL	BR	01.S01.16
2.5"F NPT x (3.125" x 7.5 TPI) M, Plated Brass	NPT/SP	IL	CH	01.S01.13
2.5"F NPT x (3.156" x 6 TPI) M, Plated Brass	NPT/SP	IL	CH	01.S01.18
2.5"F NPT x (3.165" x 7.5 TPI) M, Plated Brass	NPT/SP	IL	CH	01.S01.27
2.5"F NPT x (3.187" x 6 TPI) M, Plated Brass	NPT/SP	IL	CH	01.S01.7
2.5"F NPT x (3.250" x 5 TPI) M, Plated Brass	NPT/SP	IL	CH	01.S01.20
<b>3.0" Pipe Adapter - Rigid Female x Male</b>				
3.0"F NPT x 2.5"M NH, Plated Brass	NPT/NH	IL	CH	01.038.0
3.0"F NPT x 2.5"M NH, Plated Brass w/Strainer	NPT/NH	IL	CH	01.038.5
3.0"F NPT x 3.0"M NH, Plated Brass	NPT/NH	IL	CH	01.019.0
3.0"F NPT x 3.0"M NH, Plated Brass w/Strainer	NPT/NH	IL	CH	01.019.5
3.0"F NPT x 3.0"M NH, Brass	NPT/NH	IL	BR	01.019.1
3.0"F NPT x 3.5"M NH, Plated Brass	NPT/NH	IL	CH	01.064.0
3.0"F NPT x 3.5"M NH, Plated Brass w/Strainer	NPT/NH	IL	CH	01.064.5
3.0"F NPT x 4.0"M NH, Plated Brass	NPT/NH	IL	CH	01.039.0
3.0"F NPT x 4.0"M NH, Plated Brass w/Strainer	NPT/NH	IL	CH	01.039.5
<b>3.5" Pipe Adapter - Rigid Female x Male (NH)</b>				
3.5"F NPT x 2.5"M NH, Plated Brass	NPT/NH	RL	CH	01.076.0
3.5"F NPT x 2.5"M NH, Plated Brass w/Strainer	NPT/NH	RL	CH	01.076.5
3.5"F NPT x 3.5"M NH, Plated Brass	NPT/NH	IL	CH	01.069.0
3.5"F NPT x 3.5"M NH, Plated Brass w/Strainer	NPT/NH	IL	CH	01.069.5
3.5"F NPT x 4.0"M NH, Plated Brass	NPT/NH	IL	CH	01.052.0
3.5"F NPT x 4.0"M NH, Plated Brass w/Strainer	NPT/NH	IL	CH	01.052.5
<b>4.0" Pipe Adapter - Rigid Female x Male</b>				
4.0"F NPT x 3"M NH, Plated Brass	NPT/NH	RL	CH	01.041.0
4.0"F NPT x 3"M NH, Plated Brass w/Strainer	NPT/NH	RL	CH	01.041.5
4.0"F NPT x 3.5"M NH, Plated Brass	NPT/NH	RL	CH	01.077.0
4.0"F NPT x 3.5"M NH, Plated Brass w/Strainer	NPT/NH	RL	CH	01.077.5
4.0"F NPT x 4.0"M NH, Plated Brass	NPT/NH	IL	CH	01.024.0
4.0"F NPT x 4.0"M NH, Plated Brass w/Strainer	NPT/NH	IL	CH	01.024.5
4.0"F NPT x 4.5"M NH, Plated Brass	NPT/NH	IL	CH	01.033.0
4.0"F NPT x 4.5"M NH, Plated Brass w/Strainer	NPT/NH	IL	CH	01.033.5
4.0"F NPT x 5.0"M NH, Plated Brass	NPT/NH	IL	CH	01.025.0
4.0"F NPT x 5.0"M NH, Plated Brass w/Strainer	NPT/NH	IL	CH	01.025.5
4.0"F NPT x 6.0"M NH, Plated Brass	NPT/NH	IL	CH	01.034.0
4.0"F NPT x 6.0"M NH, Plated Brass w/Strainer	NPT/NH	IL	CH	01.034.5

**Can't Find The Thread You Need?**  
Contact Trident, **We Can Help.**

EMERGENCY PRODUCTS, LLC

# NPT Pipe Adapters

Rigid Female x Male Chrome Plated Brass

RL	=	Rocker Lug
IL	=	Internal Lug
HX	=	Hex



Description	Threads	Type	Finish	Part #
<b>5.0" Pipe Adapter - Rigid Female x Male (NH)</b>				
5.0"F NPT x 4.0" MNH	NPT/NH	IL	CH	01.082.0
5.0"F NPT x 4.0"M NH, w/Strainer	NPT/NH	IL	CH	01.082.5
5.0"F NPT x 4.5"M NH	NPT/NH	IL	CH	01.035.0
5.0"F NPT x 4.5"M NH, w/Strainer	NPT/NH	IL	CH	01.035.5
5.0"F NPT x 5.0"M NH	NPT/NH	IL	CH	01.026.0
5.0"F NPT x 5.0"M NH, w/Strainer	NPT/NH	IL	CH	01.026.5
5.0"F NPT x 6.0"M NH	NPT/NH	IL	CH	01.027.0
5.0"F NPT x 6.0"M NH, w/Strainer	NPT/NH	IL	CH	01.027.5
<b>6.0" Pipe Adapter - Rigid Female x Male (NH)</b>				
6.0"F NPT x 4.5"M NH	NPT/NH	IL	CH	01.040.0
6.0"F NPT x 4.5"M NH, w/Strainer	NPT/NH	IL	CH	01.040.5
6.0"F NPT x 5.0"M NH	NPT/NH	IL	CH	01.029.0
6.0"F NPT x 5.0"M NH, w/Strainer	NPT/NH	IL	CH	01.029.5
6.0"F NPT x 6.0"M NH	NPT/NH	IL	CH	01.028.0
6.0"F NPT x 6.0"M NH, w/Strainer	NPT/NH	IL	CH	01.028.5

## Rigid Female x Female Swivel Hose Chromed Brass



Description	Threads	Type	Finish	Part #
<b>.50" - Rigid Female NPT x Female Swivel (GHT)</b>				
.50"F NPT x .75"F GHT Swivel		HX	CH	01.142.1
<b>.75" - Rigid Female NPT x Female Swivel (GHT)</b>				
.75"F NPT x .75"F GHT Swivel		HX	CH	01.142.0
<b>1" - Rigid Female NPT x Female Swivel (NH)</b>				
1.0"F NPT Hex x .75"/1.0"F NH Swivel		RL/HX	CH	01.091.0
<b>1.5" - Rigid Female NPT x Female Swivel (NH)</b>				
1.5"F NPT Rigid x 1.5"F NH Swivel w/Strainer		RL/HX	CH	01.036.5
<b>2.5" - Rigid Female NPT x Female Swivel (NH)</b>				
2.5"F NPT Rigid x 2.5"F NH Swivel w/Strainer		RL	CH	01.030.5
<b>2.5" - Rigid Female NPT x Female Swivel (Special Thread)</b>				
2.5"F NPT Rigid x (2.990" x 8 TPI) F Swivel w/Strainer	AMA	RL	CH	01.S30.20
2.5"F NPT Rigid x (3.000" x 8 TPI) F Swivel w/Strainer	BCT	RL	CH	01.S30.2
2.5"F NPT Rigid x (3.125" x 5 TPI) F Swivel w/Strainer	CSA	RL	CH	01.S30.17
2.5"F NPT Rigid x (3.060" x 7 TPI) F Swivel w/Strainer		RL	CH	01.S30.14
2.5"F NPT Rigid x (3.230" x 5 TPI) F Swivel w/Strainer	NSS	RL	CH	01.S30.24
2.5"F NPT Rigid x (3.250" x 5 TPI) F Swivel w/Strainer	PEI	RL	CH	01.S30.25
2.5"F NPT Rigid x (3.031" x 7 TPI) F Swivel w/Strainer	QST	RL	CH	01.S30.26
2.5"F NPT Rigid x (3.250" x 6 TPI) F Swivel w/Strainer	WCT	RL	CH	01.S30.16

NPT Pipe Adapters





RL = Rocker Lug  
 IL = Internal Lug  
 HX = Hex

# NPT Pipe Adapters

Rigid Female x Female Swivel Hose Chrome Plated Brass

Description	Threads	Type	Finish	Part #
<b>2.5" IL Adapter - Rigid Female NPT x Female Swivel (Special)</b>				
2.5"F NPT Rigid x 2.5" BSP F Swivel w/Strainer	NPT/BSP	RL	CH	01.S30.27
2.5"F NPT Rigid x (2.841" x 8 TPI) F Swivel w/Strainer	NPT/SP	RL	CH	01.S30.28
2.5"F NPT Rigid x (2.968" x 8 TPI) F Swivel w/Strainer	NPT/SP	RL	CH	01.S30.21
2.5"F NPT Rigid x (2.990" x 8 TPI) F Swivel w/Strainer	NPT/SP	RL	CH	01.S30.20
2.5"F NPT Rigid x (3.000" x 8 TPI) F Swivel w/Strainer	NPT/SP	RL	CH	01.S30.2
2.5"F NPT Rigid x (3.055" x 6 TPI) F Swivel w/Strainer	NPT/SP	RL	CH	01.S30.7
2.5"F NPT Rigid x (3.062" x 6 TPI) F Swivel w/Strainer	NPT/SP	RL	CH	01.S30.4
2.5"F NPT Rigid x (3.062" x 8 TPI) F Swivel w/Strainer	NPT/SP	RL	CH	01.S30.22
2.5"F NPT Rigid x (3.077" x 7 TPI) F Swivel w/Strainer	NPT/SP	RL	CH	01.S30.23
2.5"F NPT Rigid x (3.078" x 8 TPI) F Swivel w/Strainer	NPT/SP	RL	CH	01.S30.6
2.5"F NPT Rigid x (3.093" x 8 TPI) F Swivel w/Strainer	NPT/SP	RL	CH	01.S30.18
2.5"F NPT Rigid x (3.125" x 5 TPI) F Swivel w/Strainer	NPT/SP	RL	CH	01.S30.17
2.5"F NPT Rigid x (3.125" x 7.5 TPI) F Swivel w/Strainer	NPT/SP	RL	CH	01.S30.9
2.5"F NPT Rigid Lug x (3.156" x 6 TPI) F Swivel w/Strainer	NPT/SP	RL	CH	01.S30.5
2.5"F NPT Rigid x (3.175" x 6 TPI) F Swivel w/Strainer	NPT/SP	RL	CH	01.S30.0
2.5"F NPT Rigid x (3.187" x 6 TPI) F Swivel w/Strainer	NPT/SP	RL	CH	01.S30.19
2.5"F NPT Rigid x (3.250" x 6 TPI) F Swivel w/Strainer	NPT/SP	RL	CH	01.S30.16
<b>3.0" IL Adapter - Rigid Female NPT x 2.5" Female Swivel (NH)</b>				
3.0"F NPT Rigid x 2.5" NH Swivel w/Strainer	NPT/NH	RL	CH	01.031.5
<b>3.0" IL Adapter - Rigid Female NPT x Female Swivel (Special Threads)</b>				
3.0"F NPT Rigid x (2.990" x 8 TPI) F Swivel w/Strainer	NPT/AMA	RL	CH	01.S31.18
3.0"F NPT Rigid x (3.000" x 8 TPI) F Swivel w/Strainer	NPT/BCT	RL	CH	01.S31.2
3.0"F NPT Rigid x (3.125" x 5 TPI) F Swivel w/Strainer	NPT/CSA	RL	CH	01.S31.0
3.0"F NPT Rigid x (3.230" x 5 TPI) F Swivel w/Strainer	NPT/NSS	RL	CH	01.S31.20
3.0"F NPT Rigid x (3.250" x 5 TPI) F Swivel w/Strainer	NPT/PEI	RL	CH	01.S31.19
3.0"F NPT Rigid x (3.031" x 7 TPI) F Swivel w/Strainer	NPT/QST	RL	CH	01.S31.17
3.0"F NPT Rigid x (3.250" x 6 TPI) F Swivel w/Strainer	NPT/WCT	RL	CH	01.S31.21
3.0"F NPT Rigid x (2.841" x 8 TPI) F Swivel w/Strainer	NPT/SP	RL	CH	01.S31.22
3.0"F NPT Rigid x (3.062" x 6 TPI) F Swivel w/Strainer	NPT/SP	RL	CH	01.S31.4
3.0"F NPT Rigid x (3.078" x 6 TPI) F Swivel w/Strainer	NPT/SP	RL	CH	01.S31.1
<b>3.0" IL Adapter - Rigid Female NPT x 3.0" Female Swivel (NH)</b>				
3.0"F NPT Rigid x 3.0" NH Swivel w/Strainer	NPT/NH	RL	CH	01.032.5
<b>4.0" IL Adapter - Rigid Female NPT x Female Swivel (NH)</b>				
4.0"F NPT Rigid x 3.5" NH Swivel	NPT/NH	RL	CH	01.130.0
4.0"F NPT Rigid x 4.0" NH Swivel	NPT/NH	RL	CH	01.070.0
4.0"F NPT Rigid x 4.0" NH Swivel w/Strainer	NPT/NH	RL	CH	01.070.5
<b>5.0" IL Adapter - Rigid Female NPT x Female Swivel (NH)</b>				
5.0"F NPT Rigid x 4.0" NH Swivel w/Strainer	NPT/NH	RL	CH	01.067.5

# NPT Pipe Adapters

Rigid Male NPT x Female Swivel Hose

RL	=	Rocker Lug
IL	=	Internal Lug
HX	=	Hex



Description	Threads	Type	Finish	Part #
<b>Internal Lug Adapter - Male NPT x Female Swivel NH</b>				
1.5"M NPT x 1.5"F Swivel NH Strainer, Plated Brass w/Strainer	NPT/NH	RL	CH	01.155.5
2.5"M NPT x 2.5"F Swivel NH Strainer, Plated Brass w/Strainer	NPT/NH	RL	CH	01.154.5
3.0"M NPT x 2.5"F Swivel NH Strainer, Plated Brass w/Strainer	NPT/NH	HX	CH	01.095.5
3.0"M NPT x 3.0"F Swivel NH Strainer, Plated Brass w/Strainer	NPT/NH	RL	CH	01.153.5
4.0"M NPT x 2.5"F Swivel NH Strainer, Plated Brass w/Strainer	NPT/NH	RL	CH	01.078.5
<b>Internal Lug Adapter - Male NPT x Female Swivel (Special)</b>				
2.5"M NPT x (3.000" x 8) F Swivel, Plated Brass w/Strainer	NPT/SP	RL	CH	01.S154.4
2.5"M NPT x (3.062" x 7) F Swivel, Plated Brass w/Strainer	NPT/SP	RL	CH	01.S154.0
2.5"M NPT x (3.125" x 5) F Swivel, Plated Brass w/Strainer	NPT/SP	RL	CH	01.S154.1
2.5"M NPT x (3.125" x 7) F Swivel, Plated Brass w/Strainer	NPT/SP	RL	CH	01.S154.2
2.5"M NPT x (3.250" x 6) F Swivel, Plated Brass w/Strainer	NPT/SP	RL	CH	01.S154.3
<b>Internal Lug Adapter - Male NPT x Female Swivel (Special)</b>				
3.0"M NPT Rigid x (3.165" x 7.5) F Plated Brass w/Strainer	NPT/SP	RL	CH	01.S95.0

## Rigid Male Pipe x Victaulic™



Description	Threads	Type	Finish	Part #
<b>NPT Pipe Adapter Rigid Male x Victaulic™ Coupling</b>				
1.0"M NPT x 1.0" Victaulic, Brass	NPT/VIC	IL	BR	09.017.6
1.0"M NPT x 1.5" Victaulic, Stainless Steel	NPT/VIC	HX	SS	09.034.0
1.5"M NPT x 1.5" Victaulic, Brass	NPT/VIC	IL	BR	09.017.0
2.0"M NPT x 2.0" Victaulic, Brass	NPT/VIC	IL	BR	09.017.1
2.5"M NPT x 2.5" Victaulic, Brass	NPT/VIC	IL	BR	09.017.2
3.0"M NPT x 3.0" Victaulic, Brass	NPT/VIC	IL	BR	09.017.3
4.0"M NPT x 4.0" Victaulic, Brass	NPT/VIC	IL	BR	09.017.4
5.0"M NPT x 5.0" Victaulic, Brass	NPT/VIC	IL	BR	09.017.5

### Adapter Product Features

- ▶ Forged (ASTM C37700) and Cast (ASTM C85700) Brass
- ▶ Hose Threads Available as NH, Canadian or Special Thread
- ▶ Pipe Threads NPT
- ▶ Corrosion Resistant
- ▶ Chrome Plated or Brass
- ▶ NFPA Standards Compliant
- ▶ Hydrostatically Tested to 700PSI
- ▶ Optional Strainer with Stainless Steel Retaining Ring
- ▶ Internal Lug and Hex Configurations



RL	=	Rocker Lug
IL	=	Internal Lug
HX	=	Hex

# Hose Adapters

Garden Hose Thread Chrome Plated Brass

Description	Threads	Type	Finish	Part #
<b>Pipe Adapters - Pipe Thread x Garden Hose Thread</b>				
.50"F NPT Hex x .75"F Swivel GHT	NPT/GHT	HX	CH	01.142.1
.75"F NPT Hex x .75"F Swivel GHT	NPT/GHT	HX	CH	01.142.0
.75"F NPT x .75"M GHT	NPT/GHT	HX	CH	01.141.0
1.0"F NPT x .75"M GHT	NPT/GHT	HX	CH	01.127.0
<b>Pipe Adapter - 2.5" Female NH Thread x Garden Hose Thread</b>				
2.5"F NH x .75"M GHT	NH/GHT	RL	CH	01.151.0
<b>Barbed x Female Swivel Garden Hose Thread</b>				
.75" Hose Barb x .75"F Swivel GHT	Barb/GHT	HX	CH	09.047.0
<b>Panel Adapter - 4-Bolt Mounting .75" Female NPT x .75" NPT</b>				
.75"F NPT x .75"M NPT - Adapter Only	NPT/NPT	HX	CH	09.048.0
.75"F NPT x .75"M GHT - Adapter w/ M GHT	NPT/GHT	HX	CH	01.147.0
.75"F NPT x .75"F GHT Swivel - Adapter w/ F Swivel GHT	NPT/GHT	HX	CH	01.143.0
<b>.75" Plug - Garden Hose Thread - GHT</b>				
.75" GHT Plug	GHT	HX	CH	01.137.2
.75" GHT Plug with Chain	GHT	HX	CH	01.137.4
.75" GHT Plug with Cable	GHT	HX	CH	01.137.0
<b>.75" Cap - Garden Hose Thread - GHT</b>				
.75" GHT Cap	GHT	HX	CH	01.140.2
.75" GHT Cap with Chain	GHT	HX	CH	01.140.10
.75" GHT Cap with Cable	GHT	HX	CH	01.140.0



## Rigid Female Hose x Male Hose Chrome Plated Brass

Description	Threads	Type	Finish	Part #
<b>1.5" Adapter - Rigid Female x Male</b>				
1.0"F NH x 1.5" MNH	NH/NH	RL	CH	01.193.0
1.5"F NH x .75"M GHT	NH/GHT	RL	CH	01.093.0
1.5"F NH x .75"/1.0"M NH	NH/NH	RL	CH	01.107.0
1.5"F NH x 1.0"M NPSH	NH/NPSH	RL	CH	01.092.0
1.5"F NH x 1.5"M NPSH	NH/NPSH	RL	CH	01.089.0
1.5"F NPSH x 1.5"M NH	NPSH/NH	RL	CH	01.089.7
<b>1.5" Adapter - Rigid Female x Male - Special Threads</b>				
1.5"F NH x (2.100" x 8) M NYFD	NH/NYFD	RL	CH	01.S89.0
1.5"F NH x (2.032" x 8) M	NH/SP	RL	CH	01.S89.1
<b>2.0" x 1.5" Adapter - Rigid Female x Male NH</b>				
2.0"F NH x 1.5"M NH	NH/NH	RL	CH	01.063.2
<b>2.5" x 1.5" Adapter - Rigid Female x Male NH</b>				
2.5"F NH x 1.5"M NH	NH/NH	RL	CH	01.008.0
2.5"F NH x 1.5"M NPSH	NH/NPSH	RL	CH	01.008.4
<b>2.5" x 1.5" Adapter - Rigid Female x NPSH Male</b>				
(2.990" x 8 TPI) F x 1.5"M NPSH	AMA/NPSH	RL	CH	01.S08.21
(3.000" x 8 TPI) F x 1.5"M NPSH	BCT/NPSH	RL	CH	01.S08.20
(3.125" x 5 TPI) F x 1.5"M NPSH	CSA/NPSH	RL	CH	01.S08.7
(3.230" x 5 TPI) F x 1.5"M NPSH	NSS/NPSH	RL	CH	01.S08.11
(3.250" x 5 TPI) F x 1.5"M NPSH	PEI/NPSH	RL	CH	01.S08.35
(3.031" x 7 TPI) F x 1.5"M NPSH	QST/NPSH	RL	CH	01.S08.23
(3.250" x 6 TPI) F x 1.5"M NPSH	WCT/NPSH	RL	CH	01.S08.22

# Hose Adapters

Rigid Female Hose x Male Special Thread Chromed Brass

RL	=	Rocker Lug
IL	=	Internal Lug
HX	=	Hex

Description	Threads	Type	Finish	Part #
<b>2.5" x 1.5" Adapter - Rigid Female x Male (Special Thread)</b>				
(2.500"F NH x 1.5"M NPT)	NH/NPT	RL	CH	01.S08.45
(3.000"F NH x 1.5"M NH)	NH/NH	RL	CH	01.S08.32
(2.841" x 8 TPI) F x 1.5"M NH	SP/NH	RL	CH	01.S08.49
(2.841" x 8 TPI) F NPSH x 1.5"M NPSH	SP/NPSH	RL	CH	01.S08.30
(2.953" x 7.5 TPI) F x 1.5"M NH	SP/NH	RL	CH	01.S08.42
(2.990" x 7.5 TPI) F x 1.5"M CFD	SP/CFD	RL	CH	01.S08.14
(2.990" x 8 TPI) F x 1.5"M NPSH	SP/NPSH	RL	CH	01.S08.21
(3.000" x 8 TPI) F x 1.5"M NH	SP/NH	RL	CH	01.S08.1
(3.000" x 8 TPI) F x 1.5"M NPSH	SP/NPSH	RL	CH	01.S08.20
(3.000" x 8 TPI) F x (2.093" x 11 TPI) M	SP/SP	RL	CH	01.S08.16
(3.000" x 8 TPI) F x (2.100" x 8 TPI) M	SP/SP	RL	CH	01.S08.18
(3.017" x 8 TPI) F x 1.5"M NPSH	SP/NPSH	RL	CH	01.S08.38
(3.030" x 8 TPI) F x (2.100" x 8 TPI) M	SP/SP	RL	CH	01.S08.19
(3.030" x 8 TPI) F x 1.5"M NH	SP/NH	RL	CH	01.S08.5
(3.030" x 8 TPI) F x 1.5"M NPSH	SP/NPSH	RL	CH	01.S08.60
(3.031" x 7 TPI) F x 1.5"M NPSH	SP/NPSH	RL	CH	01.S08.23
(3.058" x 6 TPI) F x 1.5"M NH	SP/NH	RL	CH	01.S08.54
(3.062" x 6 TPI) F x 1.5"M NH	SP/NH	RL	CH	01.S08.0
(3.062" x 6 TPI) F x 1.5"M NPSH	SP/NPSH	RL	CH	01.S08.29
(3.062" x 8 TPI) F x 1.5"M NH	SP/NH	RL	CH	01.S08.26
(3.062" x 8 TPI) F x 1.5"M NPSH	SP/NPSH	RL	CH	01.S08.51
(3.065" x 8 TPI) F x 1.5"M NH	SP/NH	RL	CH	01.S08.46
(3.068" x 6 TPI) F x 1.5"M NH	SP/NH	RL	CH	01.S08.34
(3.077" x 7 TPI) F x 1.5"M NH	SP/NH	RL	CH	01.S08.31
(3.078" x 6 TPI) F x 1.5"M NH	SP/NH	RL	CH	01.S08.27
(3.078" x 8 TPI) F x 1.5"M NH	SP/NH	RL	CH	01.S08.8
(3.087" x 8 TPI) F x 1.5"M NH	SP/NH	RL	CH	01.S08.55
(3.093" x 6 TPI) F x 1.5"M NH	SP/NH	RL	CH	01.S08.24
(3.109" x 6 TPI) F x 1.5"M NH	SP/NH	RL	CH	01.S08.47
(3.125" x 5 TPI) F x 1.5"M NPSH	SP/NPSH	RL	CH	01.S08.33
(3.125" x 6 TPI) F Double Lead x 1.5"M NH	SP/NH	RL	CH	01.106.2
(3.125" x 6 TPI) F x 1.5"M NH	SP/NH	RL	CH	01.S08.3
(3.125" x 7 TPI) F x 1.5"M NH	SP/NH	RL	CH	01.S08.53
(3.125" x 7.5 TPI) F x 1.5"M NH	SP/NH	RL	CH	01.S08.4
(3.140" x 8TPI) F x 1.5"M NH	SP/NH	RL	CH	01.S08.44
(3.156" x 6 TPI) F x 1.5"M NH	SP/NH	RL	CH	01.S08.28
(3.157" x 8 TPI) F x 1.5"M NH	SP/NH	RL	CH	01.S08.37
(3.165" x 7.5 TPI) F x 1.5"M NH	SP/NH	RL	CH	01.S08.13
(3.172" x 8 TPI) F x 1.5"M NH	SP/NH	RL	CH	01.S08.61
(3.175" x 6 TPI) F x 1.5"M NH	SP/NH	RL	CH	01.S08.43
(3.180" x 8 TPI) F x 1.5" M NH	SP/NH	RL	CH	01.S08.48
(3.187" x 6 TPI) F x 1.5" M NPSH	SP/NPSH	RL	CH	01.S08.39
(3.187" x 6 TPI) F x 1.5" M NH	SP/NH	RL	CH	01.S08.59
(3.187" x 8 TPI) F x 1.5" M NH	SP/NH	RL	CH	01.S08.58
(3.187" x 6 TPI) F x (2.032" x 8 TPI) M	SP/SP	RL	CH	01.S08.41
(3.203" x 5 TPI) F x 1.5"M NH	SP/NH	RL	CH	01.S08.57
(3.230" x 5 TPI) F x 1.5"M NPSH	SP/NPSH	RL	CH	01.S08.11
(3.230" x 5 TPI) F x 1.5"M NH	SP/NH	RL	CH	01.S08.36
(3.234" x 6 TPI) F x 1.5"M NH	SP/NH	RL	CH	01.S08.6

Hose Adapters





RL = Rocker Lug  
 IL = Internal Lug  
 HX = Hex

# Hose Adapters

Rigid Female Hose x Male Hose Chromed Brass

Description	Threads	Type	Finish	Part #
<b>2.5" x 1.5" Adapter - Rigid Female x Male (Special Thread)</b>				
(3.250" x 6 TPI) F x 1.5"M NH	SP/NH	RL	CH	01.S08.56
(3.250" x 6 TPI) F x 1.5"M NPSH	SP/NPSH	RL	CH	01.S08.22
(3.250" x 5 TPI) F x 1.5"M NPSH	SP/NPSH	RL	CH	01.S08.35
(3.250" x 6 TPI) F x (2.1875" x 12 TPI) M	SP/SP	RL	CH	01.S08.50
(3.328" x 8 TPI) F x 1.5"M NH	SP/NH	RL	CH	01.S08.2
(3.340" x 6 TPI) F x 1.5"M NH	SP/NH	RL	CH	01.S08.9
<b>2.5" Adapter - Rigid Female x Male (Canadian)</b>				
2.5"F NH x (2.990" x 8 TPI) M	NH/AMA	RL	CH	01.S18.25
2.5"F NH x (3.000" x 8 TPI) M	NH/BCT	RL	CH	01.S18.2
2.5"F NH x (3.125" x 5 TPI) M	NH/CSA	RL	CH	01.S18.11
2.5"F NH x (3.230" x 5 TPI) M	NH/NSS	RL	CH	01.S18.16
2.5"F NH x (3.250" x 5 TPI) M	NH/PEI	RL	CH	01.S18.21
2.5"F NH x (3.031" x 7 TPI) M	NH/QST	RL	CH	01.S18.15
2.5"F NH x (3.250" x 6 TPI) M	NH/WCT	RL	CH	01.S18.19
<b>2.5" Adapter - Male x Rigid Female (Mixed Canadian)</b>				
(2.99" x 8 TPI) M x (2.99" x 8 TPI) F	AMA/AMA	RL	CH	01.S18.40
(2.99" x 8 TPI) M x (3.125" x 5 TPI) F	AMA/CSA	RL	CH	01.S18.39
(3.25" x 6 TPI) M x (2.99" x 8 TPI) F	WCT/AMA	RL	CH	01.S18.60
(3.00" x 8 TPI) M x (3.00" x 8 TPI) F	BCT/BCT	RL	CH	01.S18.53
(3.00" x 8 TPI) M x (3.125" x 5 TPI) F	BCT/CSA	RL	CH	01.S18.69
(3.03" x 7 TPI) M x (3.125" x 5 TPI) F	QST/CSA	RL	CH	01.S18.49
(3.125" x 5 TPI) M x 2.5"F NPSH	CSA/NPSH	RL	CH	01.S18.45
(3.125" x 5 TPI) M x (3.00" x 8 TPI) F	CSA/BCT	RL	CH	01.S18.54
(3.125" x 5 TPI) M x (3.125" x 5 TPI) F	CSA/CSA	RL	CH	01.S18.57
(3.23" x 5 TPI) M x (3.125" x 5 TPI) F	NSS/CSA	RL	CH	01.S18.62
(3.25" x 6 TPI) M x (3.125" x 5 TPI) F	WCT/CSA	RL	CH	01.S18.61
(3.230" x 5 TPI) M x (3.031" x 7 TPI) F	NSS/QST	RL	CH	01.S18.41
(3.250" x 5 TPI) M x (3.250" x 5 TPI) F	PEI/PEI	RL	CH	01.S18.43
<b>2.5" Adapter - Rigid Female x Male (Mixed Thread)</b>				
2.5" F BSP x 2.5"M NH	SP/NH	RL	CH	01.S18.80
2.5"F NH x 2.5"M NH	NH/NH	RL	CH	01.S18.52
2.5"F NH x (2.990" x 8 TPI) M	NH/SP	RL	CH	01.S18.25
2.5"F NH x (3.000" x 8 TPI) M	NH/SP	RL	CH	01.S18.2
(3.000" x 8 TPI) F x (3.250" x 5 TPI) M	SP/SP	RL	CH	01.S18.34
(3.030" x 7 TPI) F x (3.000" x 8 TPI) M	SP/SP	RL	CH	01.S18.31
2.5"F NH x (3.125" x 5 TPI) M	NH/SP	RL	CH	01.S18.11
(3.125" x 5 TPI) F x 2.5"M NH	SP/NH	RL	CH	01.S18.51
(3.125" x 7 TPI) F x 2.5"M NH	SP/NH	RL	CH	01.S18.79
(3.125" x 7 TPI) F x 2.5"M NH	SP/NH	RL	CH	01.S18.38

Description	Threads	Type	Finish	Part #
<b>2.5" Adapter - Male x Rigid Female (Special Thread)</b>				
2.5"M BSP x 2.5"F NH	BSP/NH	RL	CH	01.S18.86
(2.930" x 7.5 TPI) M x 2.5"F NH	SP/NH	RL	CH	01.S18.77
(2.940" x 7.5 TPI) M x 2.5"F NH	SP/NH	RL	CH	01.S18.48
(2.962" x 8 TPI) M x 2.5"F NH	SP/NH	RL	CH	01.S18.70
(3.030" x 6 TPI) M x 2.5"F NH	SP/NH	RL	CH	01.S18.63
(3.031" x 7 TPI) M x (3.031" x 7 TPI) F	SP/SP	RL	CH	01.S18.71

# Hose Adapters

Rigid Female Hose x Male Hose Brass

RL	=	Rocker Lug
IL	=	Internal Lug
HX	=	Hex



Description	Threads	Type	Finish	Part #
<b>2.5" Adapter - Rigid Female x Male (Special Thread)</b>				
2.5"F NH x (3.046" x 6 TPI) M	SP/NH	RL	CH	01.S18.85
2.5"F NH x (3.058" x 6 TPI) M	SP/NH	RL	CH	01.S18.68
2.5"F NH x (3.065" x 8 TPI) M	SP/NH	RL	CH	01.S18.58
2.5"F NH x (3.087" x 6 TPI) M	SP/NH	RL	CH	01.S18.12
2.5"F NH x (3.109" x 6 TPI) M	SP/NH	RL	CH	01.S18.65
2.5"F NH x (3.140" x 8 TPI) M	SP/NH	RL	CH	01.S18.55
2.5"F NH x (3.172" x 8 TPI) M	SP/NH	RL	CH	01.S18.83
2.5"F NH x (3.175" x 6 TPI) M	SP/NH	RL	CH	01.S18.44
2.5"F NH x (3.187" x 8 TPI) M	SP/NH	RL	CH	01.S18.81
2.5"F NH x (3.188" x 7 TPI) M	SP/NH	RL	CH	01.S18.84
2.5"F NH x (3.268" x 6 TPI) M	SP/NH	RL	CH	01.S18.50
2.5"F NH x (3.312" x 5 TPI) M	SP/NH	RL	CH	01.S18.67
2.5"F NH x (2.841" x 8 TPI) M	NH/SP	RL	CH	01.S18.35
2.5"F NH x (2.950" x 8 TPI) M	NH/SP	RL	CH	01.S18.28
2.5"F NH x (2.968" x 8 TPI) M	NH/SP	RL	CH	01.S18.30
2.5"F NH x (2.990" x 7.5 TPI) M	NH/SP	RL	CH	01.S18.22
2.5"F NH x (3.017" x 8 TPI) M	NH/SP	RL	CH	01.S18.47
2.5"F NH x (3.030" x 8 TPI) M	NH/SP	RL	CH	01.S18.8
2.5"F NH x (3.031" x 7 TPI) M	NH/SP	RL	CH	01.S18.15
2.5"F NH x (3.055" x 6 TPI) M	NH/SP	RL	CH	01.S18.42
2.5"F NH x (3.062" x 6 TPI) M	NH/SP	RL	CH	01.S18.1
2.5"F NH x (3.062" x 7 TPI) M	NH/SP	RL	CH	01.S18.56
2.5"F NH x (3.062" x 8 TPI) M	NH/SP	RL	CH	01.S18.29
2.5"F NH x (3.073" x 6 TPI) M	NH/SP	RL	CH	01.S18.20
2.5"F NH x (3.078" x 6 TPI) M	NH/SP	RL	CH	01.S18.32
2.5"F NH x (3.078" x 8 TPI) M	NH/SP	RL	CH	01.S18.10
2.5"F NH x (3.093" x 6 TPI) M	NH/SP	RL	CH	01.S18.26
2.5"F NH x (3.093" x 8 TPI) M	NH/SP	RL	CH	01.S18.3
2.5"F NH x (3.095" x 6 TPI) M	NH/SP	RL	CH	01.S18.23
2.5"F NH x (3.125" x 6 TPI) M Double Lead	NH/SP	RL	CH	01.S18.33
2.5"F NH x (3.125" x 6 TPI) M	NH/SP	RL	CH	01.S18.7
2.5"F NH x (3.125" x 7 TPI) M	NH/SP	RL	CH	01.S18.27
2.5"F NH x (3.125" x 7.5 TPI) M	NH/SP	RL	CH	01.S18.5
2.5"F NH x (3.156" x 6 TPI) M	NH/SP	RL	CH	01.S18.17
2.5"F NH x (3.157" x 8 TPI) M	NH/SP	RL	CH	01.S18.46
2.5"F NH x (3.165" x 7.5 TPI) M	NH/SP	RL	CH	01.S18.18
2.5"F NH x (3.180" x 8 TPI) M	NH/SP	RL	CH	01.S18.66
2.5"F NH x (3.187" x 6 TPI) M	NH/SP	RL	CH	01.S18.24
2.5"F NH x (3.230" x 5 TPI) M	NH/SP	RL	CH	01.S18.16
2.5"F NH x (3.234" x 6 TPI) M	NH/SP	RL	BR	01.S18.0
2.5"F NH x (3.234" x 6 TPI) M	NH/SP	RL	CH	01.S18.14
2.5"F NH x (3.250" x 5 TPI) M	NH/SP	RL	CH	01.S18.21
(2.841" x 8 TPI) F x (3.000" x 8 TPI) M	SP/SP	RL	CH	01.S18.76
(3.000" x 8 TPI) F x (2.990" x 8 TPI) M	SP/SP	RL	CH	01.S18.74
(3.125" x 5 TPI) F x (3.250" x 5 TPI) M	SP/SP	RL	CH	01.S18.75
(3.125" x 6 TPI) F Double Lead x 2.5"M NH	SP/NH	RL	CH	01.S19.0
(3.156" x 5 TPI) F x (3.062" x 6 TPI) M	SP/SP	RL	CH	01.S18.82
(3.230" x 5 TPI) F x (3.230" x 5 TPI) M	SP/SP	RL	CH	01.S18.72
(3.250" x 6 TPI) F x (3.250" x 6 TPI) M	SP/SP	RL	CH	01.S18.73



RL = Rocker Lug  
 IL = Internal Lug  
 HX = Hex

# Hose Adapters

Rigid Female Hose x Male Hose Chromed Brass

Description	Threads	Type	Finish	Part #
<b>2.5" Intake Adapter - Swivel Female x Male NH</b>				
(2.990" x 8 TPI) F Swivel x 2.5"M NH w/Strainer	AMA/NH	RL	CH	01.S68.27
(3.000" x 8 TPI) F Swivel x 2.5"M NH w/Strainer	BCT/NH	RL	CH	01.S68.2
(3.125" x 5 TPI) F Swivel x 2.5"M NH w/Strainer	CSA/NH	RL	CH	01.S68.15
(3.230" x 5 TPI) F Swivel x 2.5"M NH w/Strainer	NSS/NH	RL	CH	01.S68.28
(3.250" x 5 TPI) F Swivel x 2.5"M NH w/Strainer	PEI/NH	RL	CH	01.S68.32
(3.031" x 7 TPI) F Swivel x 2.5"M NH w/Strainer	QST/NH	RL	CH	01.S68.26
(3.250" x 6 TPI) F Swivel x 2.5"M NH w/Strainer	WCT/NH	RL	CH	01.S68.17
<b>2.5" Intake Adapter - Swivel Female x Male NH</b>				
2.5"F NH Swivel x 2.5"M NH	NH/NH	RL	CH	01.S68.22
2.5"F NH Swivel x 2.5"M NH w/Strainer	NH/NH	RL	CH	01.S68.30
2.5"F NH Swivel x 3.0"M NH w/Strainer	NH/NH	RL	CH	01.S68.56
(2.841" x 8 TPI) F NPSH Swivel x 2.5"M NH w/Strainer	SP/NH	RL	CH	01.S68.31
(2.940" x 7.5 TPI) F Swivel x 2.5"M NH w/Strainer	SP/NH	RL	CH	01.S68.39
(2.950" x 7.5 TPI) F Swivel x 2.5"M NH w/Strainer	SP/NH	RL	CH	01.S68.45
(2.950" x 8 TPI) F Swivel x 2.5"M NH w/Strainer	SP/NH	RL	CH	01.S68.24
(2.990" x 7.5 TPI) F Swivel x 2.5"M NH w/Strainer	SP/NH	RL	CH	01.S68.44
(2.990" x 8 TPI) F Swivel x 2.5"M NH w/Strainer	SP/NH	RL	CH	01.S68.27
(3.000" x 8 TPI) F Swivel x 2.5"M NH w/Strainer	SP/NH	RL	CH	01.S68.2
(3.030" x 8 TPI) F Swivel x 2.5"M NH w/Strainer	SP/NH	RL	CH	01.S68.13
(3.031" x 7 TPI) F Swivel x 2.5"M NH w/Strainer	SP/NH	RL	CH	01.S68.26
(3.046" x 6 TPI) F Swivel x 2.5"M NH w/Strainer	SP/NH	RL	CH	01.S68.67
(3.055" x 6 TPI) F Swivel x 2.5"M NH w/Strainer	SP/NH	RL	CH	01.S68.35
(3.058" x 6 TPI) F Swivel x 2.5"M NH w/Strainer	SP/NH	RL	CH	01.S68.55
(3.062" x 6 TPI) F Swivel x 2.5"M NH w/Strainer	SP/NH	RL	CH	01.S68.4
(3.062" x 7 TPI) F Swivel x 2.5"M NH w/Strainer	SP/NH	RL	CH	01.S68.46
(3.062" x 8 TPI) F Swivel x 2.5"M NH w/Strainer	SP/NH	RL	CH	01.S68.42
(3.065" x 8 TPI) F Swivel x 2.5"M NH w/Strainer	SP/NH	RL	CH	01.S68.48
(3.068" x 6 TPI) F Swivel x 2.5"M NH w/Strainer	SP/NH	RL	CH	01.S68.43
(3.087" x 6 TPI) F Swivel x 2.5"M NH w/Strainer	SP/NH	RL	CH	01.S68.61
(3.095" x 6 TPI) F Swivel x 2.5"M NH w/Strainer	SP/NH	RL	CH	01.S68.36
(3.109" x 6 TPI) F Swivel x 2.5"M NH w/Strainer	SP/NH	RL	CH	01.S68.52
(3.125" x 6 TPI) Double Lead F Swivel x 2.5"M NH w/Strainer	SP/NH	RL	CH	01.S68.50
(3.140" x 6 TPI) F Swivel x 2.5"M NH w/Strainer	SP/NH	RL	CH	01.S68.33
(3.140" x 8 TPI) F Swivel x 2.5"M NH w/Strainer	SP/NH	RL	CH	01.S68.51
(3.157" x 8 TPI) F Swivel x 2.5"M NH w/Strainer	SP/NH	RL	CH	01.S68.38
(3.172" x 6 TPI) F Swivel x 2.5"M NH w/Strainer	SP/NH	RL	CH	01.S68.47
(3.172" x 8 TPI) F Swivel x 2.5"M NH w/Strainer	SP/NH	RL	CH	01.S68.65
(3.175" x 6 TPI) F Swivel x 2.5"M NH w/Strainer	SP/NH	RL	CH	01.S68.37
(3.187" x 8 TPI) F Swivel x 2.5"M NH w/Strainer	SP/NH	RL	CH	01.S68.53
(3.188" x 7 TPI) F Swivel x 2.5"M NH w/Strainer	SP/NH	RL	CH	01.S68.66
(3.203" x 6 TPI) F Swivel x 2.5"M NH w/Strainer	SP/NH	RL	CH	01.S68.64
(3.268" x 6 TPI) F Swivel x 2.5"M NH w/Strainer	SP/NH	RL	CH	01.S68.41
(3.312" x 8 TPI) F Swivel x 2.5"M NH w/Strainer	SP/NH	RL	CH	01.S68.40
(3.030" x 8 TPI) F Swivel x 3.0"M NH w/Strainer	SP/NH	RL	CH	01.S68.62
(3.031" x 7 TPI) F Swivel x 3.0"M NH w/Strainer	SP/NH	RL	CH	01.S68.60
(3.062" x 6 TPI) F Swivel x 3.0"M NH w/Strainer	SP/NH	RL	CH	01.S68.25
(3.062" x 8 TPI) F Swivel x 3.0"M NH w/Strainer	SP/NH	RL	CH	01.S68.57
(3.078" x 6 TPI) F Swivel x 3.0"M NH w/Strainer	SP/NH	RL	CH	01.S68.54
(3.125" x 5 TPI) F Swivel x 3.0"M NH w/Strainer	SP/NH	RL	CH	01.S68.34
(3.125" x 7 TPI) F Swivel x 3.0"M NH w/Strainer	SP/NH	RL	CH	01.S68.59
(3.250" x 6 TPI) F Swivel x 3.0"M NH w/Strainer	SP/NH	RL	CH	01.S68.58

# Hose Adapters

Rigid Female Hose x Male Hose Chromed Brass

RL	=	Rocker Lug
IL	=	Internal Lug
HX	=	Hex



Description	Threads	Type	Finish	Part #
<b>2.5" Intake Adapter - Swivel Female (Special Threads) x Male NH</b>				
(3.073" x 6 TPI) F Swivel x 2.5"M NH w/Strainer	SP/NH	RL	CH	01.S68.18
(3.078" x 6 TPI) F Swivel x 2.5"M NH w/Strainer	SP/NH	RL	CH	01.S68.1
(3.078" x 8 TPI) F Swivel x 2.5"M NH w/Strainer	SP/NH	RL	CH	01.S68.6
(3.093" x 6 TPI) F Swivel x 2.5"M NH w/Strainer	SP/NH	RL	CH	01.S68.21
(3.125" x 5 TPI) F Swivel x 2.5"M NH w/Strainer	SP/NH	RL	CH	01.S68.15
(3.125" x 6 TPI) F Swivel x 2.5"M NH w/Strainer	SP/NH	RL	CH	01.S68.11
(3.125" x 6 TPI) Double Lead F Swivel x 2.5"M NH w/Strainer	SP/NH	RL	CH	01.106.1
(3.125" x 7.5 TPI) F Swivel x 2.5"M NH w/Strainer	SP/NH	RL	CH	01.S68.9
(3.156" x 6 TPI) F Swivel x 2.5"M NH w/Strainer	SP/NH	RL	CH	01.S68.5
(3.165" x 7.5 TPI) F Swivel x 2.5"M NH w/Strainer	SP/NH	RL	CH	01.S68.16
(3.187" x 6 TPI) F Swivel x 2.5"M NH w/Strainer	SP/NH	RL	CH	01.S68.20
(3.218" x 6 TPI) F Swivel x 2.5"M NH w/Strainer	SP/NH	RL	CH	01.S68.23
(3.230" x 5 TPI) F Swivel x 2.5"M NH w/Strainer	SP/NH	RL	CH	01.S68.28
(3.234" x 6 TPI) F Swivel x 2.5"M NH w/Strainer	SP/NH	RL	CH	01.S68.0
(3.250" x 5 TPI) F Swivel x 2.5"M NH w/Strainer	SP/NH	RL	CH	01.S68.19
(3.250" x 6 TPI) F Swivel x 2.5"M NH w/Strainer	SP/NH	RL	CH	01.S68.17
<b>2.5" Intake Adapter - Swivel Female x 3" Male NH</b>				
(3.000" x 8 TPI) F Swivel x 3.0"M NH w/Strainer	SP/NH	RL	CH	01.S68.3
2.5" F Swivel NH x 3" M NH	NH/NH	RL	CH	01.068.0
2.5" F Swivel NH x 3" M NH w/Strainer	NH/NH	RL	CH	01.068.5
<b>3.0" Adapter - Rigid Female x Male NH</b>				
3.0"F NH Rigid x 2.5"M NH	NH/NH	RL	CH	01.017.0
<b>2.5" Male Special Threads x 3" Female Rigid</b>				
(2.953" x 7.5) M x 3.00"F NH	SP/NH	RL	CH	01.S17.23
(3.000" x 8) M x 3.00"F NH	SP/NH	RL	CH	01.S17.2
(3.031" x 7) M x 3.00"F NH	SP/NH	RL	CH	01.S17.15
(3.062" x 6) M x 3.00"F NH	SP/NH	RL	CH	01.S17.1
(3.073" x 6) M x 3.00"F NH	SP/NH	RL	CH	01.S17.0
(3.125" x 5) M x 3.00"F NH	SP/NH	RL	CH	01.S17.11
(3.175" x 6) M x 3.00"F NH	SP/NH	RL	CH	01.S17.24
(3.188" x 7) M x 3.00"F NH	SP/NH	RL	CH	01.S17.25
(3.230" x 5) M x 3.00"F NH	SP/NH	RL	CH	01.S17.16
(3.250" x 6) M x 3.00"F NH	SP/NH	RL	CH	01.S17.19
<b>4.0" Adapter - Rigid Female x Male NH</b>				
4.0"F NH Rigid x 2.5"M NH	NH/NH	RL	CH	01.065.0
4.0"F NH Rigid x 3.0"M NH	NH/NH	RL	CH	01.182.0
4.0"F NH Rigid x 3.5"M NH	NH/NH	RL	CH	01.079.0
<b>5.0" Adapter - Rigid Female x Male NH</b>				
5.0"F NH Rigid x 4.0"M NH	NH/NH	RL	CH	01.051.0
5.0"F NH Rigid x 4.5"M NH	NH/NH	RL	CH	01.099.0
<b>6.0" Adapter - Rigid Female x Male NH</b>				
6.0"F NH Rigid x 5.0"M NH	NH/NH	RL	CH	01.124.0
6.0"F NH Rigid x 4.5"M NH	NH/NH	RL	CH	01.125.0
<b>Swivel Female x Swivel Female NH</b>				
1.5"F NH x 1.5F NH	NH/NH	RL	CH	01.060.0
2.5"F NH x 2.5"F NH	NH/NH	RL	CH	01.012.0
4.0"F NH x 2.5"F NH	NH/NH	RL	CH	01.066.0
4.0"F NH x 4.0"F NH	NH/NH	RL	CH	01.145.0

Hose Adapters





RL = Rocker Lug  
 IL = Internal Lug  
 HX = Hex

# Hose Adapters

## Double Female Swivel Hose Adapters Chromed Brass

Description	Threads	Type	Finish	Part #
<b>Swivel Female x Swivel Female</b>				
2.500" F WCT x 2.500" F WCT	WCT/WCT	RL	CH	01.S12.24
(2.841" x 8 TPI) F x (3.031" x 7 TPI) F	NPSH/QST	RL	CH	01.S12.7
(2.990" x 8 TPI) F x Groove	AMA/Groove	RL	CH	01.S12.14
(2.990" x 8 TPI) F x 2.5" F NH	AMA/NH	RL	CH	01.S12.8
(3.000" x 8 TPI) F x 2.5" F Swivel NPSH	BCT/NPSH	RL	CH	01.S12.16
(3.000" x 8 TPI) F x (3.000" x 8 TPI) F	BCT/BCT	RL	CH	01.S12.5
(3.031" x 7 TPI) F x (3.031" x 7 TPI) F	QST/QST	RL	CH	01.S12.13
(3.125" x 5 TPI) F x (3.125" x 5 TPI) F	CSA/CSA	RL	CH	01.S12.0
(3.125" x 5 TPI) F x (3.125" x 5 TPI) F w/Strainer	CSA/CSA	RL	CH	01.S12.1
(3.230" x 5 TPI) F x (3.230" x 5 TPI) F	NSS/NSS	RL	CH	01.S12.10
(3.250" x 5 TPI) F x (3.250" x 5 TPI) F	PEI/PEI	RL	CH	01.S12.11
(3.250" x 6 TPI) F x (3.250" x 6 TPI) F	WCT/WCT	RL	CH	01.S12.12
(3.250" x 6 TPI) F WCT x 2.5" F NH	WCT/NH	RL	CH	01.S12.9
<b>Swivel Female x Swivel Female (Special Thread)</b>				
2.500" F NH x (3.000" x 8) F	NH/SP	RL	CH	01.S12.23
2.500" F NH x (3.125" x 7.5) F	NH/SP	RL	CH	01.S12.25
(2.841" x 8 TPI) NPSH x (2.841" x 8 TPI) NPSH	NPSH/NPSH	RL	CH	01.S12.6
(2.990" x 8 TPI) F x 2.5" F NH	SP/NH	RL	CH	01.S12.8
(3.000" x 8 TPI) F x (3.000" x 8 TPI) F	SP/SP	RL	CH	01.S12.5
(3.031" x 6 TPI) F x 2.5" F NH	SP/NH	RL	CH	01.S12.3
(3.031" x 7 TPI) F x 2.5" F NPSH	SP/NPSH	RL	CH	01.S12.7
(3.062" x 6 TPI) F x (3.062" x 6 TPI) F	SP/SP	RL	CH	01.S12.2
(3.093" x 6 TPI) F x 2.5" F NH	SP/NH	RL	CH	01.S12.20
(3.095" x 6 TPI) F x 2.5" F NH	SP/NH	RL	CH	01.S12.15
(3.125" x 5 TPI) F x 2.5" F NH	SP/NH	RL	CH	01.S12.21
(3.125" x 5 TPI) F x (3.125" x 5 TPI) F	SP/SP	RL	CH	01.S12.0
(3.125" x 5 TPI) F x (3.125" x 5 TPI) F, w/Strainer	SP/SP	RL	CH	01.S12.1
(3.230" x 5 TPI) F x 2.5" F NH	SP/NH	RL	CH	01.S12.22
(3.250" x 6 TPI) F x 2.5" F NH	SP/NH	RL	CH	01.S12.9



## Double Male Hose Adapters

Description	Threads	Type	Finish	Part #
<b>Male x Male Hose Adapters</b>				
.75M NH x .75"M NH	GHT/GHT	HX	CH	01.162.0
1.0"M NPT x 1.0"M NH	NH/NPT	HX	CH	01.164.1
1.0"M NPT x 1.0"M NPSH	NPT/NPSH	HX	BR	01.164.11
1.5"M NH x 1.5"M NH	NH/NH	RL	CH	01.062.0
1.5"M NH x 1.5"M NPT	NH/NPT	HX	CH	01.073.0
1.5"M NH x 1.5"M NPT	NH/NPT	HX	BR	01.073.11
2.5"M NH x 2.0"M NPT	NH/NPT	HX	CH	01.136.0
2.5"M NH x 2.5"M NH	NH/NH	RL	CH	01.011.0
2.5"M NH x 2.5"M NPT	NH/NPT	HX	CH	01.011.10
3.0"M NH x 3.0"M NH	NH/NH	RL	CH	01.085.0
3.0"M NH x 3.0"M NPT	NH/NPT	IL	CH	01.090.0
4.0"M NH x 4.0"M NPT	NH/NPT	IL	CH	01.159.0

# Hose Plugs

Various Sizes and Threads

RL	=	Rocker Lug
IL	=	Internal Lug
HX	=	Hex



Description	Threads	Type	Finish	Part #
<b>.75" Plug - Garden Hose Thread</b>				
.75" GHT Plug	GHT	HX	CH	01.137.2
.75" GHT Plug with Chain	GHT	HX	CH	01.137.4
.75" GHT Plug with Cable	GHT	HX	CH	01.137.0
<b>.75"/1.0" Vented Plug - NH</b>				
.75/1.0" NH Vented Plug	NH	RL	CH	01.103.2
.75/1.0" NH Vented Plug with Chain	NH	RL	CH	01.103.0
.75/1.0" NH Vented Plug with Cable	NH	RL	CH	01.103.10
<b>1.5" Vented Plug - NH</b>				
1.5" NH Vented Plug	NH	RL	CH	01.048.2
1.5" NH Vented Plug with Chain	NH	RL	CH	01.048.0
1.5" NH Vented Plug with Cable	NH	RL	CH	01.048.10
<b>1.5" Vented Plug - with Chain (Special Threads)</b>				
(2.100" x 11 TPI) Plug with Chain	Pacific Coast	RL	CH	01.132.0
<b>2.5" Vented Plug - NH</b>				
2.5" NH Vented Plug	NH	RL	CH	01.007.2
2.5" NH Vented Plug with Chain	NH	RL	CH	01.007.0
2.5" NH Vented Plug with Cable	NH	RL	CH	01.007.10
<b>2.5" Vented Plug - with Chain</b>				
(2.990" x 8 TPI) Vented Plug with Chain	AMA	RL	CH	01.S07.34
(3.000" x 8 TPI) Vented Plug with Chain	BCT	RL	CH	01.S07.6
(3.031" x 7 TPI) Vented Plug with Chain	QST	RL	CH	01.S07.22
(3.125" x 5 TPI) Vented Plug with Chain	CSA	RL	CH	01.S07.18
(3.230" x 5 TPI) Vented Plug with Chain	NSS	RL	CH	01.S07.25
(3.250" x 5 TPI) Vented Plug with Chain	PEI	RL	CH	01.S07.32
(3.250" x 6 TPI) Vented Plug with Chain	WCT	RL	CH	01.S07.31
<b>2.5" Vented Plug - with Chain (Special Threads)</b>				
(2.841" x 8 TPI) Vented Plug with Chain NPSH	SP	RL	CH	01.S07.55
(2.843" x 8 TPI) Vented Plug with Chain	SP	RL	CH	01.S07.11
(2.850" x 8 TPI) Vented Plug with Chain	SP	RL	CH	01.S07.48
(2.855" x 8 TPI) Vented Plug with Chain	SP	RL	CH	01.S07.49
(2.930" x 7.5 TPI) Vented Plug with Chain	SP	RL	CH	01.S07.65
(2.935" x 8 TPI) Vented Plug with Chain	SP	RL	CH	01.S07.47
(2.940" x 7.5 TPI) Vented Plug with Chain	SP	RL	CH	01.S07.28
(2.950" x 8 TPI) Vented Plug with Chain	SP	RL	CH	01.S07.36
(2.953" x 7.5 TPI) Vented Plug with Chain	SP	RL	CH	01.S07.27
(2.953" x 7.5 TPI) Vented Plug with Chain	SP	RL	CH	01.S07.56
(2.960" x 11 TPI) Vented Plug with Chain	SP	RL	BR	01.S07.42
(2.962" x 8 TPI) Vented Plug with Chain	SP	RL	CH	01.S07.51
(2.968" x 8 TPI) Vented Plug with Chain	SP	RL	CH	01.S07.37
(2.990" x 7.5 TPI) Vented Plug with Chain	SP	RL	CH	01.S07.54
(2.990" x 8 TPI) Vented Plug with Chain	SP	RL	CH	01.S07.34
(2.990" x 8 TPI) Vented Plug with Cable	SP	RL	CH	01.S07.34W
(3.000" x 8 TPI) Vented Plug with Chain	SP	RL	CH	01.S07.6
(3.028" x 6 TPI) Vented Plug with Chain	SP	RL	CH	01.S07.57
(3.030" x 8 TPI) Vented Plug with Chain	SP	RL	CH	01.S07.16
(3.031" x 7 TPI) Vented Plug with Chain	SP	RL	CH	01.S07.22
(3.046" x 6 TPI) Vented Plug with Chain	SP	RL	CH	01.S07.70
(3.055" x 6 TPI) Vented Plug with Chain	SP	RL	CH	01.S07.9
(3.058" x 6 TPI) Vented Plug with Chain	SP	RL	CH	01.S07.52
(3.060" x 7 TPI) Vented Plug with Chain	SP	RL	CH	01.S07.17

Hose Plugs



RL = Rocker Lug  
 IL = Internal Lug  
 HX = Hex

# Hose Plugs

Various Sizes and Threads Chromed Brass

Description	Threads	Type	Finish	Part #
<b>2.5" Vented Plug - with Chain (Special Threads)</b>				
(3.062" x 6 TPI) Vented Plug with Chain	SP	RL	CH	01.S07.5
(3.062" x 8 TPI) Vented Plug with Chain	SP	RL	CH	01.S07.38
(3.062" x 7 TPI) Vented Plug with Chain	SP	RL	CH	01.S07.20
(3.065" x 8 TPI) Vented Plug with Chain	SP	RL	CH	01.S07.59
(3.068" x 6 TPI) Vented Plug with Chain	SP	RL	CH	01.S07.53
(3.073" x 6 TPI) Vented Plug with Chain	SP	RL	CH	01.S07.12
(3.077" x 7 TPI) Vented Plug with Chain	SP	RL	CH	01.S07.39
(3.078" x 8 TPI) Vented Plug with Chain	SP	RL	CH	01.S07.3
(3.078" x 6 TPI) Vented Plug with Chain	SP	RL	CH	01.S07.2
(3.087" x 6 TPI) Vented Plug with Chain	SP	RL	CH	01.S07.64
(3.093" x 6 TPI) Vented Plug with Chain	SP	RL	CH	01.S07.35
(3.093" x 8 TPI) Vented Plug with Chain	SP	RL	CH	01.S07.10
(3.095" x 6 TPI) Vented Plug with Chain	SP	RL	CH	01.S07.0
(3.109 x 6 TPI) Vented Plug with Chain	SP	RL	CH	01.S07.62
(3.125" x 5 TPI) Vented Plug with Chain	SP	RL	CH	01.S07.18
(3.125" x 7.5 TPI) Vented Plug with Chain	SP	RL	CH	01.S07.4
(3.125" x 6 TPI) Vented Plug with Chain	SP	RL	CH	01.S07.14
(3.125" x 6 TPI) Double Lead Vented Plug with Chain	SP	RL	CH	01.S07.61
(3.125" x 7 TPI) Vented Plug with Chain	SP	RL	CH	01.S07.23
(3.140" x 6 TPI) Vented Plug with Chain	SP	RL	CH	01.S07.43
(3.156" x 6 TPI) Vented Plug with Chain	SP	RL	CH	01.S07.8
(3.157" x 8 TPI) Vented Plug with Chain	SP	RL	CH	01.S07.46
(3.165" x 7.5 TPI) Vented Plug with Chain	SP	RL	CH	01.S07.30
(3.172" x 6 TPI) Vented Plug with Chain	SP	RL	CH	01.S07.58
(3.172" x 8 TPI) Vented Plug with Chain	SP	RL	CH	01.S07.68
(3.175" x 6 TPI) Vented Plug with Chain	SP	RL	CH	01.S07.29
(3.187" x 6 TPI) Vented Plug with Chain	SP	RL	CH	01.S07.33
(3.187" x 8 TPI) Vented Plug with Chain	SP	RL	CH	01.S07.63
(3.188" x 7 TPI) Vented Plug with Chain	SP	RL	CH	01.S07.69
(3.203" x 6 TPI) Vented Plug with Chain	SP	RL	CH	01.S07.66
(3.230" x 5 TPI) Vented Plug with Chain	SP	RL	CH	01.S07.25
(3.231" x 6 TPI) Vented Plug with Chain	SP	RL	CH	01.S07.45
(3.234" x 5 TPI) Vented Plug with Chain	SP	RL	CH	01.S07.41
(3.234" x 6 TPI) Vented Plug with Chain	SP	RL	CH	01.S07.7
(3.234" x 6 TPI) Vented Plug with Chain	SP	RL	CH	01.S07.26
(3.250" x 5 TPI) Vented Plug with Chain	SP	RL	CH	01.S07.32
(3.250" x 6 TPI) Vented Plug with Chain	SP	RL	CH	01.S07.31
(3.250" x 6 TPI) Vented Plug with Cable	SP	RL	CH	01.S07.31W
(3.268" x 6 TPI) Vented Plug with Chain	SP	RL	CH	01.S07.50
(3.312" x 8 TPI) Vented Plug with Chain	SP	RL	CH	01.S07.40
(3.3125" x 8 TPI) Vented Plug with Chain	SP	RL	CH	01.S07.44
(3.340" x 6 TPI) Vented Plug with Chain	SP	RL	CH	01.S07.21
<b>3.0" Vented Plug - NH</b>				
3.0" NH-Vented Plug	NH	RL	CH	01.022.2
3.0" NH-Vented Plug with Chain	NH	RL	CH	01.022.0
3.0" NH-Vented Vented Plug with Cable	NH	RL	CH	01.022.10
<b>4.0" Vented Plug - NH</b>				
4.0" NH-Vented Plug	NH	RL	CH	01.045.2
4.0" NH-Vented Plug with Chain	NH	RL	CH	01.045.0
4.0" NH-Vented Vented Plug with Cable	NH	RL	CH	01.045.10

# Hose Caps

Various Threads Chromed Brass

RL	=	Rocker Lug
IL	=	Internal Lug
HX	=	Hex



Description	Threads	Type	Finish	Part #
<b>.75" Cap - Garden Hose Thread</b>				
.75" GHT Cap	GHT	HX	CH	01.140.2
.75" GHT Cap with Chain	GHT	HX	CH	01.140.10
.75" GHT Cap with Cable	GHT	HX	CH	01.140.0
<b>.75"/1.0" Vented Cap - NH</b>				
.75"/1.0" NH Vented Cap	NH	RL	CH	01.081.2
.75"/1.0" NH Vented Cap with Chain	NH	RL	CH	01.081.0
.75"/1.0" NH Vented Cap with Cable	NH	RL	CH	01.081.10
<b>1.0" Vented Cap - NPSH</b>				
1.0" NPSH Vented Cap	NPSH	RL	CH	01.094.2
1.0" NPSH Vented Cap with Chain	NPSH	RL	CH	01.094.0
1.0" NPSH Vented Cap with Cable	NPSH	RL	CH	01.094.10
<b>1.5" Vented Cap - NH</b>				
1.5" NH Vented Cap	NH	RL	CH	01.005.9
1.5" NH Vented Cap with Chain	NH	RL	CH	01.005.0
1.5" NH Vented Cap with Cable	NH	RL	CH	01.005.11
<b>1.5" Vented Cap - NPSH</b>				
1.5" NPSH Vented Cap	NPSH	RL	CH	01.005.12
1.5" NPSH Vented Cap with Chain	NPSH	RL	CH	01.005.10
1.5" NPSH Vented Cap with Cable	NPSH	RL	CH	01.005.14
<b>1.5" Vented Cap - with Chain - (Special Threads)</b>				
(1.933" x 11.5 TPI) Vented Cap with Chain	SP	RL	CH	01.S05.1
(2.032" x 8 TPI) Vented Cap with Chain	SP	RL	CH	01.S05.4
(2.093" x 11 TPI) Vented Cap with Chain	SP	RL	CH	01.S05.3
(2.100" x 8 TPI) Vented Cap with Chain	SP	RL	CH	01.S05.2
(2.100" x 11 TPI) Vented Cap with Chain	SP	RL	CH	01.S05.0
<b>2.0" Vented Cap - NH</b>				
2.0" NH Vented Cap	NH	RL	CH	01.050.12
2.0" NH Vented Cap with Chain	NH	RL	CH	01.050.2
2.0" NH Vented Cap with Cable	NH	RL	CH	01.050.14
<b>2.5" Vented Cap - NH</b>				
2.5" NH Vented Cap	NH	RL	CH	01.006.9
2.5" NH Vented Cap with Chain	NH	RL	CH	01.006.0
2.5" NH Vented Cap with Cable	NH	RL	CH	01.006.10
<b>2.5" Vented Cap - with Chain - (Canadian)</b>				
(2.990" x 8 TPI) Vented Cap with Chain	AMA	RL	CH	01.S06.33
(3.000" x 8 TPI) Vented Cap with Chain	BCT	RL	CH	01.S06.8
(3.031" x 7 TPI) Vented Cap with Chain	QST	RL	CH	01.S06.19
(3.125" x 5 TPI) Vented Cap with Chain	CSA	RL	CH	01.S06.23
(3.230" x 5 TPI) Vented Cap with Chain	NSS	RL	CH	01.S06.22
(3.250" x 5 TPI) Vented Cap with Chain	PEI	RL	CH	01.S06.31
(3.250" x 6 TPI) Vented Cap with Chain	WCT	RL	CH	01.S06.30
<b>2.5" Vented Cap - with Chain - (Special Threads)</b>				
(2.841" x 8 TPI) Vented Cap with Chain (NPSH)	NPSH	RL	CH	01.S06.35
(2.940" x 7.5 TPI) Vented Cap with Chain	SP	RL	CH	01.S06.28
(2.960" x 11 TPI) Vented Cap with Chain	SP	RL	BR	01.S06.42
(3.055" x 6 TPI) Vented Cap with Chain	SP	RL	CH	01.S06.10
(3.234" x 6 TPI) Vented Cap with Chain	SP	RL	CH	01.S06.24

Hose Caps





RL = Rocker Lug  
 IL = Internal Lug  
 HX = Hex

# Hose Caps

Various Threads Chromed Brass

Description	Threads	Type	Finish	Part #
<b>2.5" Vented Cap - with Chain - (Special Threads)</b>				
(2.950" x 8 TPI) Vented Cap with Chain	SP	RL	CH	01.S06.38
(2.953" x 7.5 TPI) Vented Cap with Chain	SP	RL	CH	01.S06.26
(2.962" x 8 TPI) Vented Cap with Chain	SP	RL	CH	01.S06.65
(2.968" x 8 TPI) Vented Cap with Chain	SP	RL	CH	01.S06.39
(2.990" x 7.5 TPI) Vented Cap with Chain	SP	RL	CH	01.S06.32
(2.990" x 8 TPI) Vented Cap with Chain	SP	RL	CH	01.S06.33
(2.990" x 8 TPI) Vented Cap with Cable	SP	RL	CH	01.S06.33W
(3.000" x 8 TPI) Vented Cap with Chain	SP	RL	CH	01.S06.8
(3.022" x 7 TPI) Vented Cap with Chain	SP	RL	CH	01.S06.27
(3.028" x 6 TPI) Vented Cap with Chain	SP	RL	CH	01.S06.51
(3.030" x 8 TPI) Vented Cap with Chain	SP	RL	CH	01.S06.15
(3.031" x 7 TPI) Vented Cap with Chain	SP	RL	CH	01.S06.19
(3.046" x 6 TPI) Vented Cap with Chain	SP	RL	CH	01.S06.72
(3.058" x 6 TPI) Vented Cap with Chain	SP	RL	CH	01.S06.64
(3.062" x 6 TPI) Vented Cap with Chain	SP	RL	CH	01.S06.25
(3.062" x 7 TPI) Vented Cap with Chain	SP	RL	CH	01.S06.16
(3.062" x 8 TPI) Vented Cap with Chain	SP	RL	CH	01.S06.37
(3.065" x 8 TPI) Vented Cap with Chain	SP	RL	CH	01.S06.56
(3.068" x 6 TPI) Vented Cap with Chain	SP	RL	CH	01.S06.50
(3.073" x 6 TPI) Vented Cap with Chain	SP	RL	CH	01.S06.13
(3.075" x 6 TPI) Vented Cap with Chain	SP	RL	CH	01.S06.53
(3.078" x 6 TPI) Vented Cap with Chain	SP	RL	CH	01.S06.2
(3.078" x 8 TPI) Vented Cap with Chain	SP	RL	CH	01.S06.3
(3.087" x 6 TPI) Vented Cap with Chain	SP	RL	CH	01.S06.49
(3.093" x 6 TPI) Vented Cap with Chain	SP	RL	CH	01.S06.36
(3.093" x 8 TPI) Vented Cap with Chain	SP	RL	CH	01.S06.11
(3.095" x 6 TPI) Vented Cap with Chain	SP	RL	CH	01.S06.0
(3.109" x 6 TPI) Vented Cap with Chain	SP	RL	CH	01.S06.59
(3.125" x 5 TPI) Vented Cap with Chain	SP	RL	CH	01.S06.23
(3.125" x 6 TPI) Vented Cap with Chain	SP	RL	CH	01.S06.41
(3.125" x 6 TPI) Vented Cap with Chain Double Lead	SP	RL	CH	01.S06.58
(3.125" x 7 TPI) Vented Cap with Chain	SP	RL	CH	01.S06.20
(3.125" x 7.5 TPI) Vented Cap with Chain	SP	RL	CH	01.S06.5
(3.125" x 7.5 TPI) Vented Cap with Cable	SP	RL	CH	01.S06.5W
(3.140" x 6 TPI) Vented Cap with Chain	SP	RL	CH	01.S06.43
(3.140" x 8 TPI) Vented Cap with Chain	SP	RL	CH	01.S06.52
(3.156" x 6 TPI) Vented Cap with Chain	SP	RL	CH	01.S06.9
(3.157" x 8 TPI) Vented Cap with Chain	SP	RL	CH	01.S06.69
(3.165" x 7.5 TPI) Vented Cap with Chain	SP	RL	CH	01.S06.57
(3.172" x 8 TPI) Vented Cap with Chain	SP	RL	CH	01.S06.71
(3.175" x 6 TPI) Vented Cap with Chain	SP	RL	CH	01.S06.29
(3.180" x 8 TPI) Vented Cap with Chain	SP	RL	CH	01.S06.62
(3.187" x 6 TPI) Vented Cap with Chain	SP	RL	CH	01.S06.34
(3.187" x 8 TPI) Vented Cap with Chain	SP	RL	CH	01.S06.63
(3.188" x 7 TPI) Vented Cap with Chain	SP	RL	CH	01.S06.54
(3.203" x 6 TPI) Vented Cap with Chain	SP	RL	CH	01.S06.70
(3.206" x 5 TPI) Vented Cap with Chain	SP	RL	CH	01.S06.68

# Hose Caps

Various Sizes and Threads Chromed Brass

RL	=	Rocker Lug
IL	=	Internal Lug
HX	=	Hex



Description	Threads	Type	Finish	Part #
<b>2.5" Vented Cap - with Chain - (Special Threads)</b>				
(3.230" x 5 TPI) Vented Cap with Chain	SP	RL	CH	01.S06.22
(3.234" x 6 TPI) Vented Cap with Chain	SP	RL	CH	01.S06.7
(3.250" x 5 TPI) Vented Cap with Chain	SP	RL	CH	01.S06.31
(3.268" x 6 TPI) Vented Cap with Chain	SP	RL	CH	01.S06.47
(3.250" x 6 TPI) Vented Cap with Chain	SP	RL	CH	01.S06.30
(3.281" x 8 TPI) Vented Cap with Chain	SP	RL	CH	01.S06.60
(3.312" x 8 TPI) Vented Cap with Chain	SP	RL	CH	01.S06.46
(3.340" x 6 TPI) Vented Cap with Chain	SP	RL	CH	01.S06.18
<b>3.0" Vented Cap - NH</b>				
3.0" NH Vented Cap	NH	RL	CH	01.015.2
3.0" NH Vented Cap with Chain	NH	RL	CH	01.015.0
3.0" NH Vented Cap with Cable	NH	RL	CH	01.015.10
<b>3.5" Vented Cap - NH</b>				
3.5" NH Vented Cap	NH	RL	CH	01.043.2
3.5" NH Vented Cap with Chain	NH	RL	CH	01.043.0
3.5" NH Vented Cap with Cable	NH	RL	CH	01.043.10
<b>4.0" Vented Cap - NH</b>				
4.0" NH Vented Cap	NH	RL	CH	01.021.9
4.0" NH Vented Cap with Chain	NH	RL	CH	01.021.6
4.0" NH Vented Cap with Cable	NH	RL	CH	01.021.10
<b>4.5" Vented Cap - NH</b>				
4.5" NH Vented Cap	NH	RL	CH	01.163.2
4.5" NH Vented Cap with Chain	NH	RL	CH	01.163.0
4.5" NH Vented Cap with Cable	NH	RL	CH	01.163.10
<b>5.0" Vented Cap - NH</b>				
5.0" NH Vented Cap	NH	RL	CH	01.009.35
5.0" NH Vented Cap with Chain	NH	RL	CH	01.009.6
5.0" NH Vented Cap with Cable	NH	RL	CH	01.009.36
<b>6.0" Vented Cap - NH</b>				
6.0" NH Vented Cap	NH	RL	CH	01.003.41
6.0" NH Vented Cap with Chain	NH	RL	CH	01.003.16
6.0" NH Vented Cap with Cable	NH	RL	CH	01.003.42

Hose Caps



## Cap and Plug Product Features

- ▶ All NH Threads are Vented as Shown at Left to meet NFPA 1901/1906 Standards
- ▶ Forged (ASTM C37700) and Cast (ASTM C85700) Brass
- ▶ Hose Threads Available as NH, Canadian and Special
- ▶ Standard Retention Ball Chain
- ▶ Optional Vinyl Coated Stainless Steel Retention Cable
- ▶ Also Available Without a Retention Chain/Cable
- ▶ Corrosion Resistant / Chrome Plated
- ▶ Hydrostatically Tested to 700PSI
- ▶ Rocker Lug



Meets NFPA 1901 and 1906  
(2016 editions)  
For Automatic Pressure Release





# Long Handle Caps

Various Sizes - Chromed Brass, CR-13 Aluminum

Description	Notes	Type	Finish	Part #
<b>4.0" Vented Long Handle Cap - NH</b>				
4.0" NH Vented Cap Long Handle, Brass	Plain	LH	CH	01.021.0
4.0" NH Vented Cap Long Handle, Aluminum	Plain	LH	CR	01.021.50
<b>4.5" Vented Long Handle Cap - NH</b>				
4.5" NH Vented Cap Long Handle, Brass	Plain	LH	CH	01.023.0
4.5" NH Vented Cap Long Handle, Brass	Logo	LH	CH	01.023.XX
4.5" NH Vented Cap Long Handle, Aluminum	Plain	LH	CR	01.023.50
4.5" NH Vented Cap Long Handle, Aluminum	Logo	LH	CR	01.023.XX
<b>5.0" Vented Long Handle Cap - NH</b>				
5.0" NH Vented Cap Long Handle, Brass	Plain	LH	CH	01.009.4
5.0" NH Vented Cap Long Handle, Brass	Logo	LH	CH	01.009.XX
5.0" NH Vented Cap Long Handle, Aluminum	Plain	LH	CR	01.009.50
5.0" NH Vented Cap Long Handle, Aluminum	Logo	LH	CR	01.009.XX
<b>6.0" Vented Long Handle Cap - NH</b>				
6.0" NH Vented Cap Long Handle, Brass	Plain	LH	CH	01.003.0
6.0" NH Vented Cap Long Handle, Brass	Logo	LH	CH	01.003.XX
6.0" NH Vented Cap Long Handle, Aluminum	Plain	LH	CR	01.003.50
6.0" NH Vented Cap Long Handle, Aluminum	Logo	LH	CR	01.003.XX
<b>8.0" Vented Long Handle Cap - NH</b>				
8.0" NH Vented Cap Long Handle, Aluminum	Plain	LH	CR	01.180.0
8.0" NH Vented Cap Long Handle, Aluminum	Logo	LH	CR	01.180.XX

**Note:** Logos can be rotated to read true no matter where the cap ends up after tightening.



CR-13 Chrome plated Long Handle Aluminum Caps are available. These are identical in appearance and quality to the chrome plated brass caps but weigh 60% less and are lower in price.



Vented Threads are standard on all Long Handled Caps.



**Long Handle Hose Caps**

# Elbows

Various Degrees and Threads Chromed Brass

RL	=	Rocker Lug
IL	=	Internal Lug
HX	=	Hex



Description	Threads	Type	Finish	Part #
<b>1.5" Elbow - 30° Female Swivel NH x Male NH Brass</b>				
1.5"F Swivel NH x 1.5"M NH	NH/NH	RL	CH	01.177.0
<b>2.5" Elbow - 30° Female Swivel NH x Male NH Brass</b>				
2.5"F Swivel NH x 2.5"M NH	NH/NH	RL	CH	01.010.0
<b>2.5" Elbow - 45° Female Swivel NH x Male NH Brass</b>				
2.5"F Swivel NH x 2.5"M NH	NH/NH	RL	CH	01.002.0
2.5"F Swivel NH x 3"M NH	NH/NH	RL	CH	01.071.0
<b>2.5" Elbow - 30° (2.5" Female Swivel x Canadian Male)</b>				
2.5"F Swivel NH x 2.50"F QST	NH/QST	RL	CH	01.S10.74
2.5"F Swivel NPSH x 2.50"F QST	NPSH/QST	RL	CH	01.S10.50
2.5"F Swivel NPSH x 2.50"M BAT	NPSH/BAT	RL	CH	01.S10.63
2.5"F Swivel NPSH x 2.50"M BBF	NPSH/BBF	RL	CH	01.S10.61
2.5"F Swivel NPSH x 2.50"M AMA	NPSH/AMA	RL	CH	01.S10.56
2.5"F Swivel NPSH x 2.50"M PEI	NPSH/PEI	RL	CH	01.S10.57
2.5"F Swivel NPSH x 2.50"M NSS	NPSH/NSS	RL	CH	01.S10.36
2.5"F Swivel NPSH x 2.50"M WCT	NPSH/WCT	RL	CH	01.S10.58
2.5"F Swivel NPSH x 2.50"M QST	NPSH/QST	RL	CH	01.S10.34
2.5"F Swivel NPSH x 2.50"M BCT	NPSH/BCT	RL	CH	01.S10.38
2.5"F Swivel AMA x 2.50"M AMA	AMA/AMA	RL	CH	01.S10.72
2.5"F Swivel CSA x 2.50"M AMA	CSA/AMA	RL	CH	01.S10.32
2.5"F Swivel CSA x 2.50"M BCT	CSA/BCT	RL	CH	01.S10.35
2.5"F Swivel CSA x 2.50"M CSA	CSA/CSA	RL	CH	01.S10.83
2.5"F Swivel BCT x 2.50"M BCT	BCT/BCT	RL	CH	01.S10.42
2.5"F Swivel QST x 2.50"M QST	QST/QST	RL	CH	01.S10.43
2.5"F Swivel QST x 2.50"M CSA	QST/CSA	RL	CH	01.S10.70
2.5"F Swivel NH x (2.990" x 8 TPI) M	NH/AMA	RL	CH	01.S10.18
2.5"F Swivel NH x (3.000" x 8 TPI) M	NH/BCT	RL	CH	01.S10.3
2.5"F Swivel NH x (3.125" x 5 TPI) M	NH/CSA	RL	CH	01.S10.41
(2.841" x 8 TPI) F Swivel NPSH x (3.125" x 5 TPI) M	NPSH/CSA	RL	CH	01.S10.16
(3.125" x 5 TPI) F Swivel x (3.125" x 5 TPI) M	CSA/CSA	RL	CH	01.S10.9
(3.125" x 5 TPI) F Swivel x 2.5"M NH	CSA/NH	RL	CH	01.S10.25
2.5"F Swivel NH x (3.031" x 7 TPI) M	NH/QST	RL	CH	01.S10.31
2.5"F Swivel NH x (3.230" x 5 TPI) M	NH/NSS	RL	CH	01.S10.29
2.5"F Swivel NH x (3.250" x 5 TPI) M	NH/PEI	RL	CH	01.S10.30
2.5"F Swivel NH x (3.250" x 6 TPI) M	NH/WCT	RL	CH	01.S10.26
2.5"F Swivel NH x (3.281" x 8 TPI) M	NH/QST	RL	CH	01.S10.6
<b>2.5" Elbow - 30° Female Swivel x Female Swivel</b>				
2.5" F Swivel NH x 2.5" F Swivel NH, 30°	NH/NH	RL	CH	01.S10.27
2.5" F Swivel NPSH x 2.5" F Swivel QST, 30° w/Swivel	NPSH/QST	RL	CH	01.S10.62
2.5" F Swivel NPSH x 2.5" F Swivel BAT, 30° w/Swivel	NPSH/BAT	RL	CH	01.S10.64
2.5" F Swivel NH x 2.5" F Swivel WCT, 30° w/Swivel	NH/WCT	RL	CH	01.S10.65
2.5" F Swivel NH x 2.5" F Swivel BAT, 30° w/Swivel	NH/BAT	RL	CH	01.S10.66



RL	=	Rocker Lug
IL	=	Internal Lug
HX	=	Hex

# Elbows

Various Degrees and Threads Chromed Brass

Description	Threads	Type	Finish	Part #
<b>2.5" Elbow - 45° (2.5" Female Swivel)</b>				
2.5"F Swivel NPSH x (3.125" x 5 TPI) M	NPSH/CSA	RL	CH	01.S02.32
2.5"F Swivel NPSH x (3.125" x 6 TPI) M	NPSH/SP	RL	CH	01.S02.50
2.5"F Swivel NPSH x (3.230" x 5 TPI) M	NPSH/NSS	RL	CH	01.S02.48
2.5"F Swivel NPSH x (3.031" x 7 TPI) M	NPSH/QST	RL	CH	01.S02.33
2.5"F Swivel NH x (2.990" x 8 TPI) M	NH/AMA	RL	CH	01.S02.18
2.5"F Swivel NH x (3.000" x 8 TPI) M	NH/BCT	RL	CH	01.S02.11
2.5"F Swivel NH x (3.031" x 7 TPI) M	NH/QST	RL	CH	01.S02.6
(2.990"x 7.5 TPI) F Swivel x (2.990"x 7.5 TPI) CFD	CFD/CFD	RL	CH	01.S02.51
(3.031"x 7 TPI) F Swivel x (3.031" x 7 TPI) M	QST/QST	RL	CH	01.S02.49
2.5"F Swivel NH x (3.125" x 5 TPI) M	NH/CSA	RL	CH	01.S02.16
(3.125"x 5 TPI) F Swivel x 2.5"M NH	CSA/NH	RL	CH	01.S02.35
(3.125"x 7.5 TPI) F Swivel x (3.125"x 7.5 TPI) M	SP/SP	RL	CH	01.S02.52
2.5"F Swivel NH x (3.230" x 5 TPI) M	NH/NSS	RL	CH	01.S02.12
2.5"F Swivel NH x (3.234" x 6 TPI) M	NH/SP	RL	CH	01.S02.53
(3.203"x 6 TPI) F Swivel x 2.5"M NH	SP/NH	RL	CH	01.S02.54
(3.230"x 5 TPI) F Swivel x (3.230" x 5 TPI) M	NSS/NSS	RL	CH	01.S02.36
2.5"F Swivel NH x (3.250" x 5 TPI) M	NH/PEI	RL	CH	01.S02.34
2.5"F Swivel NH x (3.250" x 6 TPI) M	NH/WCT	RL	CH	01.S02.19
(3.250"x 5 TPI) F Swivel x 2.5"M NH	PEI/NH	RL	CH	01.S02.38
<b>2.5" Elbow - 30° Female Swivel x Male (Special Threads)</b>				
2.5"F Swivel (2.230 x 5 TPI) x 2.5"M NH	SP/NH	RL	CH	01.S10.37
2.5"F Swivel (2.841 x 8 TPI) x 2.5"M (2.841 x 8 TPI)	NPSH/NPSH	RL	CH	01.S10.60
2.5"F Swivel (2.930 x 7.5 TPI) x 2.5"M NH	SP/NH	RL	CH	01.S10.69
2.5"F Swivel (3.000 x 8 TPI) x 2.5"M NH	SP/NH	RL	CH	01.S10.81
2.5"F Swivel (3.125 x 6 TPI) x 2.5"M NH	SP/NH	RL	CH	01.S10.77
2.5"F Swivel (3.234 x 6 TPI) x 2.5"M (3.234 x 6)	SP/SP	RL	CH	01.S10.73
2.5"F Swivel NH x (2.841 x 8 TPI) M	NH/NPSH	RL	CH	01.S10.28
2.5"F Swivel NH x (2.930" x 7.5 TPI) M	NH/SP	RL	CH	01.S10.68
2.5"F Swivel NH x (2.940" x 7.5 TPI) M	NH/SP	RL	CH	01.S10.19
2.5"F Swivel NH x (2.940" x 8 TPI) M	NH/SP	RL	CH	01.S10.22
2.5"F Swivel NH x (2.953" x 7 TPI) M	NH/SP	RL	CH	01.S10.45
2.5"F Swivel NH x (2.962" x 8 TPI) M	NH/SP	RL	CH	01.S10.55
2.5"F Swivel NH x (2.968" x 8 TPI) M	NH/SP	RL	CH	01.S10.80
2.5"F Swivel NH x (3.000" x 8 TPI) M	NH/SP	RL	CH	01.S10.3
2.5"F Swivel NH x (3.022" x 7 TPI) M	NH/SP	RL	CH	01.S10.11
2.5"F Swivel NH x (3.058" x 6 TPI) M	NH/SP	RL	CH	01.S10.78
2.5"F Swivel NH x (3.062" x 7 TPI) M	NH/SP	RL	CH	01.S10.79
2.5"F Swivel NH x (3.087" x 6 TPI) M	NH/SP	RL	CH	01.S10.67
2.5"F Swivel NH x (3.125" x 6 TPI) M	NH/SP	RL	CH	01.S10.76
2.5"F Swivel NH x (3.125" x 7.5 TPI) M	NH/SP	RL	CH	01.S10.8
2.5"F Swivel NH x (3.156" x 6 TPI) M	NH/SP	RL	CH	01.S10.4
2.5"F Swivel NH x (3.187" x 8 TPI) M	NH/SP	RL	CH	01.S10.75
2.5"F Swivel NH x (3.203" x 6 TPI) M	NH/SP	RL	CH	01.S10.71
2.5"F Swivel NH x (3.234" x 6 TPI) M	NH/SP	RL	CH	01.S10.1



# Elbows

Various Degrees and Threads Chromed Brass

RL	=	Rocker Lug
IL	=	Internal Lug
HX	=	Hex

Description	Threads	Type	Finish	Part #
<b>2.5" Elbow - 30° Female Swivel x Male (Special Threads)</b>				
2.5"F Swivel NH x (3.030" x 8 TPI) M	NH/SP	RL	CH	01.S10.7
2.5"F Swivel NH x (3.062" x 6 TPI) M	NH/SP	RL	CH	01.S10.10
2.5"F Swivel NH x (3.062" x 7 TPI) M	NH/SP	RL	CH	01.S10.59
2.5"F Swivel NH x (3.062" x 8 TPI) M	NH/SP	RL	CH	01.S10.21
2.5"F Swivel NH x (3.065" x 8 TPI) M	NH/SP	RL	CH	01.S10.48
2.5"F Swivel NH x (3.068" x 7 TPI) M	NH/SP	RL	CH	01.S10.44
2.5"F Swivel NH x (3.078" x 8 TPI) M	NH/SP	RL	CH	01.S10.13
2.5"F Swivel NH x (3.093" x 6 TPI) M	NH/SP	RL	CH	01.S10.17
2.5"F Swivel NH x (3.095" x 6 TPI) M	NH/SP	RL	CH	01.S10.0
2.5"F Swivel NH x (3.109" x 6 TPI) M	NH/SP	RL	CH	01.S10.51
2.5"F Swivel NH x (3.140" x 6 TPI) M	NH/SP	RL	CH	01.S10.33
2.5"F Swivel NH x (3.165" x 7.5 TPI) M	NH/SP	RL	CH	01.S10.12
2.5"F Swivel NH x (3.172" x 6 TPI) M	NH/SP	RL	CH	01.S10.46
2.5"F Swivel NH x (3.175" x 6 TPI) M	NH/SP	RL	CH	01.S10.39
2.5"F Swivel NH x (3.180" x 8 TPI) M	NH/SP	RL	CH	01.S10.52
2.5"F Swivel NH x (3.187" x 8 TPI) M	NH/SP	RL	CH	01.S10.53
(2.841" x 8 TPI) F Swivel x 2.5"M NH	SP/NH	RL	CH	01.S10.15
(2.841" x 8 TPI) F Swivel x (3.125" x 5 TPI) M	SP/SP	RL	CH	01.S10.16
(2.950" x 8 TPI) F Swivel x 2.5"M NH	SP/NH	RL	CH	01.S10.23
(3.062" x 6 TPI) F Swivel x 2.5"M NH	SP/NH	RL	CH	01.S10.20
(3.062" x 8 TPI) F Swivel x 2.5"M NH	SP/NH	RL	CH	01.S10.47
(3.065" x 8 TPI) F Swivel x 2.5"M NH	SP/NH	RL	CH	01.S10.49
(3.230" x 5 TPI) F Swivel x (3.230" x 5) M	SP/SP	RL	CH	01.S10.54
(3.125" x 5 TPI) F Swivel x (3.125" x 5 TPI) M	SP/SP	RL	CH	01.S10.9
(3.125" x 5 TPI) F Swivel x 2.5"M NH	SP/NH	RL	CH	01.S10.25
(3.156" x 6 TPI) F Swivel x 2.5"M NH	SP/NH	RL	CH	01.S10.24
(3.312" x 8 TPI) F Swivel x 2.5"M NH	SP/NH	RL	CH	01.S10.40
<b>2.5" Elbow - 45° Female Swivel x Male (Special Threads)</b>				
2.5"F Swivel NH x (2.841" x 8 TPI) M NPSH	NH/SP	RL	CH	01.S02.42
2.5"F Swivel NH x (2.953" x 7.5 TPI) M	NH/SP	RL	CH	01.S02.14
(2.955"x 8 TPI) F Swivel x 2.5"M NH	SP/NH	RL	CH	01.S02.39
2.5"F Swivel NH x (2.962" x 8 TPI) M	NH/SP	RL	CH	01.S02.46
2.5"F Swivel NH x (2.968" x 8 TPI) M	NH/SP	RL	CH	01.S02.23
2.5"F Swivel NH x (2.990" x 7.5 TPI) M	NH/SP	RL	CH	01.S02.17
2.5"F Swivel NH x (2.990" x 8 TPI) M	NH/SP	RL	CH	01.S02.18
(2.990"x 8 TPI) F Swivel x 2.5"M NH	SP/NH	RL	CH	01.S02.31
2.5"F Swivel NH x (3.000" x 8 TPI) M	NH/SP	RL	CH	01.S02.11
(3.00" x 8 TPI) F Swivel x 2.5"M NH	SP/NH	RL	CH	01.S02.37
2.5"F Swivel NH x (3.031" x 7 TPI) M	NH/SP	RL	CH	01.S02.6
2.5"F Swivel NH x (3.062" x 6 TPI) M	NH/SP	RL	CH	01.S02.2
2.5"F Swivel NH x (3.062" x 7 TPI) M	NH/SP	RL	CH	01.S02.7
2.5"F Swivel NH x (3.062" x 8 TPI) M	NH/SP	RL	CH	01.S02.24
(3.062"x 8 TPI) F Swivel x (3.062" x 8 TPI) M	SP/SP	RL	CH	01.S02.47
2.5"F Swivel NH x (3.068" x 6 TPI) M	NH/SP	RL	CH	01.S02.43
2.5"F Swivel NH x (3.077" x 7 TPI) M	NH/SP	RL	CH	01.S02.28

RL	=	Rocker Lug
IL	=	Internal Lug
HX	=	Hex

# Miscellaneous Elbows

Various Degrees, Connections, Finishes

Description	Threads	Type	Finish	Part #
<b>2.5" Elbow - 45° Female Swivel x Male (Special Threads)</b>				
2.5"F Swivel NH x (3.078" x 6 TPI) M	NH/SP	RL	CH	01.S02.1
2.5"F Swivel NH x (3.078" x 8 TPI) M	NH/SP	RL	CH	01.S02.25
2.5"F Swivel NH x (3.093" x 6 TPI) M	NH/SP	RL	CH	01.S02.22
2.5"F Swivel NH x (3.093" x 8 TPI) M	NH/SP	RL	CH	01.S02.20
2.5"F Swivel NH x (3.095" x 6 TPI) M	NH/SP	RL	CH	01.S02.0
2.5"F Swivel NH x (3.109" x 6 TPI) M	NH/SP	RL	CH	01.S02.45
2.5"F Swivel NH x (3.125" x 5 TPI) M	NH/SP	RL	CH	01.S02.16
2.5"F Swivel NH x (3.125" x 6 TPI) M Double Lead	NH/SP	RL	CH	01.S02.29
2.5"F Swivel NH x (3.125" x 6 TPI) M	NH/SP	RL	CH	01.S02.50
2.5"F Swivel NH x (3.125" x 7 TPI) M	NH/SP	RL	CH	01.S02.10
2.5"F Swivel NH x (3.125" x 7.5 TPI) M	NH/SP	RL	CH	01.S02.5
2.5"F Swivel NH x (3.140" x 8 TPI) M	NH/SP	RL	CH	01.S02.44
2.5"F Swivel NH x (3.175" x 6 TPI) M	NH/SP	RL	CH	01.S02.15
2.5"F Swivel NH x (3.187" x 6 TPI) M	NH/SP	RL	CH	01.S02.40
(3.187"x 6 TPI) F Swivel x 2.5"M NH	SP/NH	RL	CH	01.S02.41
2.5"F Swivel NH x (3.230" x 5 TPI) M	NH/SP	RL	CH	01.S02.12
2.5"F Swivel NH x (3.250" x 5 TPI) M	NH/SP	RL	CH	01.S02.21
2.5"F Swivel NH x (3.250" x 6 TPI) M	NH/SP	RL	CH	01.S02.19
2.5"F Swivel NH x (3.340" x 6 TPI) M	NH/SP	RL	CH	01.S02.9
(2.841" x 8 TPI) F Swivel NPSH x 2.5"M NH	SP/NH	RL	CH	01.S02.13
(3.0" x 8 TPI) F Swivel x (3.0" x 8 TPI) M	SP/SP	RL	CH	01.S02.26
(3.060" x 7 TPI) F Swivel x 2.5"M NH	SP/NH	RL	CH	01.S02.8
(3.125" x 5 TPI) F Swivel x (3.125" x 5 TPI) M	SP/SP	RL	CH	01.S02.27
<b>Assorted Elbows 30°</b>				
3.0"F Swivel NH x 2.5"F Swivel NH 30°	NH/NH	RL	CH	01.S54.25
3.0"F Swivel NH x (2.841" x 8 TPI) M 30° NPSH	NH/SP	RL	CH	01.S54.24
3.0"F Swivel NH x (2.940" x 7.5 TPI) M 30° Salem	NH/SP	RL	CH	01.S54.4
3.0"F Swivel NH x (2.953" x 7.5 TPI) M 30°	NH/SP	RL	CH	01.S54.23
3.0"F Swivel NH x (3.000" x 8 TPI) M 30° NY Corp	NH/SP	RL	CH	01.S54.9
3.0"F Swivel NH x (3.031" x 7 TPI) M 30° QST	NH/SP	RL	CH	01.S54.3
3.0"F Swivel NH x (3.062" x 6 TPI) M 30° PITT	NH/SP	RL	CH	01.S54.6
3.0"F Swivel NH x (3.095" x 6 TPI) M 30° CIN	NH/SP	RL	CH	01.S54.22
3.0"F Swivel NH x (3.12" x 5 TPI) M 30° CSA	NH/SP	RL	CH	01.S54.12
3.0"F Swivel NH x (3.230" x 5 TPI) M 30° NSS	NH/SP	RL	CH	01.S54.13
3.0"F Swivel NH x (3.250" x 5 TPI) M 30° PEI	NH/SP	RL	CH	01.S54.14
3.0"F Swivel NH x (3.250" x 6 TPI) M 30° WCT	NH/SP	RL	CH	01.S54.15
<b>Assorted Elbows 45°</b>				
3.0"F Swivel NH x (3.340" x 6 TPI) M 45° Raleigh	NH/SP	RL	CH	01.S54.1
3.0"F Swivel NH x 2.5"M 45° Salem	NH/SP	RL	CH	01.S54.2
3.0"F Swivel NH x (2.999" x 8 TPI) M 45° AMA	NH/SP	RL	CH	01.S54.16
3.0"F Swivel NH x (3.000" x 8 TPI) M 45° NY Corp	NH/SP	RL	CH	01.S54.5
3.0"F Swivel NH x (3.030" x 8 TPI) M 45° NYFD	NH/SP	RL	CH	01.S54.7
3.0"F Swivel NH x (3.031" x 7 TPI) M 45° QST	NH/SP	RL	CH	01.S54.20
3.0"F Swivel NH x (3.125" x 5 TPI) M 45° CSA	NH/SP	RL	CH	01.S54.17
3.0"F Swivel NH x (3.125" x 7 TPI) M 45°	NH/SP	RL	CH	01.S54.10
3.0"F Swivel NH x (3.230" x 5 TPI) M 45° NSS	NH/SP	RL	CH	01.S54.18
3.0"F Swivel NH x (3.250" x 5 TPI) M 45° PEI	NH/SP	RL	CH	01.S54.19
3.0"F Swivel NH x (3.250" x 6 TPI) M 45° WCT	NH/SP	RL	CH	01.S54.21

# Elbows

Various Degrees and Threads Chromed Brass

RL	=	Rocker Lug
IL	=	Internal Lug
HX	=	Hex



Description	Threads	Type	Finish	Part #
<b>3.0" Elbow - 30° Female Swivel x Male NH</b>				
3.0"F Swivel NH x 2.5"M NH	NH/NH	RL	CH	01.054.20
3.0"F Swivel NH x 3"M NH	NH/NH	RL	CH	01.016.20
3.0"F Swivel NH x 4.0"M NH	NH/NH	RL	CH	01.126.20
<b>3.0" Elbow - 45° Female Swivel x Male NH</b>				
3.0"F Swivel NH x 2.5"M NH	NH/NH	RL	CH	01.054.0
3.0"F Swivel NH x 3"M NH	NH/NH	RL	CH	01.016.0
<b>3.0" Elbow - 90° Female Swivel x Male NH</b>				
3.0"F Swivel NH x 3.0"M NH, 90°	NH/NH	RL	CH	01.016.40
<b>4.0" Elbow - 30° Female Swivel x Male NH</b>				
4.0"F Swivel NH x 4.0"M NH, 30°	NH/NH	RL	CH	01.058.20
4.0"F Swivel NH x 4.5"M NH, 30°	NH/NH	RL	CH	01.190.0
<b>4.0" Elbow - 45° Female Swivel x Male NH</b>				
4.0"F Swivel NH x 4.0"M NH, 45°	NH/NH	RL	CH	01.058.0
<b>4.0" Elbow - 90° Female Swivel x Male NH</b>				
4.0"F Swivel NH x 4.0"M NH, 90°	NH/NH	RL	CH	01.058.40
4.0"F Swivel NH x 4.0"M NH, 90° w/Strainer	NH/NH	RL	CH	01.058.45

## Elbow Product Features

- ▶ Forged (ASTM C37700)
- ▶ Cast (ASTM C85700) Brass
- ▶ Threads Available NH, Canadian, Special
- ▶ Corrosion Resistant
- ▶ Chrome Plated
- ▶ NFPA Standards Compliant
- ▶ Hydrostatically Tested to 700PSI
- ▶ Rocker Lug
- ▶ 30°, 45° or 90° (3" and 4") Angles
- ▶ Female Swivel x Male Threads



# Chicksan Elbows

90° Elbows – 360° Rotation, Various Finishes and Threads

Description	Threads	Arm Height	Arm Length	Finish	Part #
<b>1</b> 90° Swivel Elbows - 1.0" Compact					
1.0"F NPT x 1.0"M NH	NPT/NH	Short	Short	SS	01.186.0
1.0"F NPT x 1.0"M NPSH	NPT/NPSH	Short	Short	SS	01.186.1
<b>2</b> 90° Swivel Elbows - Pipe Mount					
1.5"F NPT x 1.5"M NH	NPT/NH	Tall	Long	BR	01.055.18
2.0"F NPT x 1.5"M NH	NPT/NH	Short	Short	CH	01.055.0
2.0"F NPT x 1.5"M NPSH	NPT/NPSH	Short	Short	CH	01.055.10
2.0"F NPT x 1.5"M NH	NPT/NH	Short	Short	BR	01.055.1
2.0"F NPT x 1.5"M NH	NPT/NH	Short	Long	CH	01.055.2
2.0"F NPT x 1.5"M NH	NPT/NH	Short	Long	BR	01.055.3
2.0"F NPT x 1.5"M NH	NPT/NH	Tall	Long	BR	01.055.6
2.0"F NPT x 1.5"M NPSH	NPT/NPSH	Tall	Long	BR	01.055.16
2.5"F NPT x 2.5"M NH	NPT/NH	Tall	Long	CH	01.086.0
2.5"F NPT x 2.5"M NH	NPT/NH	Tall	Long	BR	01.086.1
2.5"F NPT x 2.5"M NPSH	NPT/NPSH	Tall	Long	BR	01.086.11
2.5"F NPT x 2.5"M NH	NPT/NH	Tall	Short	BR	01.086.30
<b>3</b> 90° Swivel Elbows - 2-Bolt Pad					
1.5"F NPT x 1.5"M NH	NPT/NH	Tall	Long	BR	01.055.19
2.0"F NPT x 1.5"M NH	NPT/NH	Tall	Long	BR	01.055.5
2.0"F NPT x 1.5"M NPSH	NPT/NPSH	Tall	Long	BR	01.055.15
2.0"F NPT x 1.5"M NH	NPT/NH	Tall	Long	CH	01.055.26
2.0"F NPT x 1.5"M NH	NPT/NH	Short	Long	BR	01.055.51
2.0" Victaulic x 1.5"M NPSH	VIC/NPSH	Tall	Long	BR	01.055.27
2.0" Victaulic x 1.5"M NH	VIC/NH	Tall	Long	BR	01.055.9
2.5"F NPT x 2.5"M NH	NPT/NH	Tall	Long	BR	01.086.5
2.5"F NPT x 2.5"M NPSH	NPT/NPSH	Tall	Long	BR	01.086.15
2.5"F NPT x 2.5"M NH	NPT/NH	Tall	Short	BR	01.086.29
2.5" Victaulic x 2.5"M NH	VIC/NH	Tall	Long	BR	01.086.6
<b>4</b> 90° Double Swivel Elbows - 2-Bolt Pad					
2.0" Victaulic x 1.5"M NH, Double Swivel	VIC/NH	Tall	Long	BR	01.055.4
2.0" Victaulic x 1.5"M NPSH, Double Swivel	VIC/NPSH	Tall	Long	BR	01.055.14
2.0" Victaulic x 1.5"M NH, Double Swivel	VIC/NH	Short	Short	BR	01.055.46
2.5" Victaulic x 2.5"M NH, Double Swivel	VIC/NH	Tall	Long	BR	01.086.4
2.5" Victaulic x 2.5"M NH, Double Swivel	VIC/NH	Short	Short	BR	01.086.27
<b>5</b> 90° Swivel Elbows - 4-Bolt Flange					
2.0"F NPT x 1.5"M NH	NPT/NH	Tall	Long	BR	01.055.21
2.0"F NPT x 1.5"M NH	NPT/NH	Tall	Long	CH	01.055.22
2.0"F NPT x 1.5"M NPSH	NPT/NPSH	Tall	Long	CH	01.055.23
2.0"F NPT x 1.5"M NPSH	NPT/NPSH	Tall	Long	BR	01.055.25
2.0"F NPT x 1.5"M NH	NPT/NH	Short	Short	CH	01.055.29
2.0" Victaulic x 1.5"M NH	VIC/NH	Tall	Long	CH	01.055.24
2.5"F NPT x 2.5"M NH	NPT/NH	Tall	Long	BR	01.086.7
2.5"F NPT x 2.5"M NH	NPT/NH	Tall	Long	CH	01.086.8

1



2



3



4



5



Chicksan Elbows

# Chicksan/Bumper Elbows

90 Degree Swivel - Brass or Chrome Plated Brass

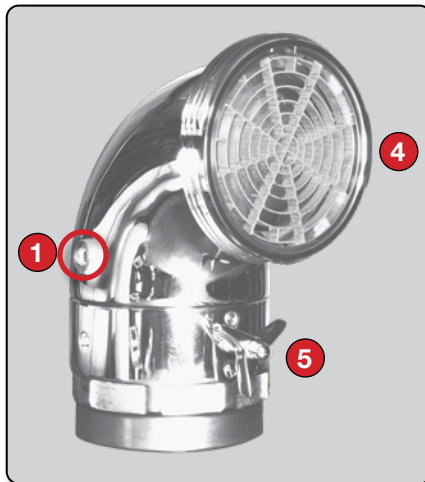


Description	Thread	Finish	Part #	
<b>90° Chicksan Swivel Elbows - Special Threads</b>				
2.5" VIC x (2.990 x 8) M Swivel	②	VIC/SP	CH	01.S86.0
2.5"F NPT x (2.990 x 7.5) M Swivel	②	NPT/SP	CH	01.S86.8
2.5"F NPT x (2.990 x 8) M Swivel	②	NPT/SP	BR	01.S86.13
2.5"F NPT x (3.000 x 8) M Swivel	②	NPT/SP	CH	01.S86.4
2.5"F NPT x (3.125 x 5) M Swivel	②	NPT/SP	BR	01.S86.6
2.5"F NPT x (3.250 x 6) M Swivel	②	NPT/SP	BR	01.S86.15
2.5"F NPT x (3.282 x 8) M Swivel	②	NPT/SP	BR	01.S86.2
2.5"F NPT x (3.000 x 8) M Swivel w/Pad	③	VIC/SP	BR	01.S86.7
2.5"F NPT x (3.125 x 5) M Swivel w/Pad	③	NPT/SP	BR	01.S86.1
2.5" VIC x CSA (3.125 x 5) M Swivel w/Pad	③	VIC/SP	BR	01.S86.9
2.5" VIC x (2.990 x 8) M Double Swivel w/Pad	④	VIC/SP	BR	01.S86.12
2.5" VIC x (3.125 x 5) M Double Swivel w/Pad	④	VIC/SP	BR	01.S86.10
2.5" VIC x (3.000 x 8) M Swivel Flange Mount	⑤	VIC/SP	CH	01.S86.5
2.5"F NPT x (2.990 x 8) M Swivel Flange Mount	⑤	NPT/SP	CH	01.S86.14
2.5"F NPT x (3.000 x 8) M Swivel Flange Mount	⑤	NPT/SP	CH	01.S86.3
2.5"F NPT x (3.078 x 8) M Swivel Flange Mount	⑤	NPT/SP	CH	01.S86.11

Description	Thread	Finish	Part #
<b>Front Intake Swivel Elbow - 90° (NPT) w/Locking Nut</b>			
5.0" Rigid F NPT x 5.0"M NH, Chromed Brass (Plugged)	NPT/NH	CH	01.014.0
5.0" Rigid F NPT x 5.0"M NH, Chromed Brass (.75" Bleeder)	NPT/NH	CH	01.014.15
5.0" Rigid F NPT x 5.0"M NH, Cast Brass, Paintable (Plugged)	NPT/NH	AC	01.014.56
5.0" Rigid F NPT x 5.0"M NH, Cast Brass, Paintable (.75" Bleeder)	NPT/NH	AC	01.014.58
5.0" Rigid F NPT x 6.0"M NH, Chromed Brass (Plugged)	NPT/NH	CH	01.013.0
5.0" Rigid F NPT x 6.0"M NH, Chromed Brass (.75" Bleeder)	NPT/NH	CH	01.013.15
5.0" Rigid F NPT x 6.0"M NH, Cast Brass, Paintable (Plugged)	NPT/NH	AC	01.013.56
5.0" Rigid F NPT x 6.0"M NH, Cast Brass, Paintable (.75" Bleeder)	NPT/NH	AC	01.013.58



## Front Suction Elbows



### Details

- ▶ Supplied with .75" Recessed Socket Head Stainless Steel Plug ①
- ▶ Optional .75" Compact Bleeder Valve Assembly. (Also available separately as Part Number 30.046.0, Shown below) ②
- ▶ All Bases are Provided with Holes for a Spanner Wrench (Part Number 29.001.0) to Assist with Tightening ③
- ▶ Includes Suction Strainer and Retaining Ring ④
- ▶ Swivel locking nut ⑤





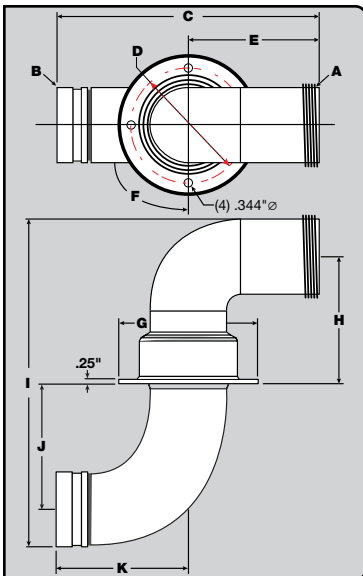
# Front Discharge Elbows

Stainless Steel Discharge Elbows - 90° Bend - 360° Swivel



## Stainless Steel Front Bumper Discharge Elbows

Part Number	List Price	A	B	C	D	E	F	G	H	I	J	K
01.109.10	\$368.79	1.5" NH	2" Vic	8"	3.85"	3"	45°	4.82"	3.25"	8.93"	3.5"	5"
01.109.3	\$326.64	1.5" NH	2" Vic	8"	3.85"	3"	45°	4.82"	3.25"	10.43"	5"	5"
01.109.4	\$379.33	1.5" NH	2" Vic	8"	3.85"	3"	45°	4.82"	3.25"	12.93"	7.5"	5"
01.111.3	\$537.38	2.5" NH	2.5" Vic	10"	4.35"	5"	90°	5.32"	4.84"	12.52"	4.75"	5"
01.111.5	\$558.46	2.5" NH	2.5" Vic	10"	4.35"	5"	90°	5.32"	4.84"	15.58"	7.5"	5"



### Product Features

1. These discharge elbows are 100% Type 304 Stainless Steel construction.
2. Exposed areas above bumper feature a highly polished (chrome like) finish.
3. Various drop and extension configurations available to accommodate most installations.
4. No painting required.
5. No assembly required, ready to connect with Victaulic™ coupling.
6. Vented NH threads are standard on all models, US Patent #7,416,223.
7. Pre-drilled polished Stainless Steel mounting flange.
8. 360° Swivel with Stainless Steel ball bearings.
  - ▶ Single ball race on 1.5" elbow.
  - ▶ Double ball race on 2.5" elbow.
9. Meets all NFPA requirements.
10. Pressure tested to 700 PSIG.

### Discharge Elbows

Refer to diagram at left to obtain the reference points for the various dimensions of these elbows listed in the chart above.

### Installation Notes

1. Elbow inlet is configured with either a 2" (on 1.5" models) or 2.5" Victaulic™ coupling for ease of installation.

Front Discharge Elbows

# Control Valves

AirMax Intake Relief Valve Systems



Description	Type	Control	Part #
<b>Intake Relief Valve - Air Operated - Remotely Adjustable</b>			
Intake Relief Valve, Flange Mount x 2.5" M NPT, 1 Location	Air Powered	Remote	30.004.5
Intake Relief Valve, Flange Mount x 2.5" M NPT, 2 Locations	Air Powered	Remote	30.004.12
Intake Relief Valve, Flange Mount x 2.5" M NPT, 3 Locations	Air Powered	Remote	30.004.13
Intake Relief Valve, Flange Mount x 2.5" M NPT, 4 Locations	Air Powered	Remote	30.004.14
Intake Relief Valve, Flange Mount x 2.5" Victaulic, 1 Location	Air Powered	Remote	30.004.6
Intake Relief Valve, Flange Mount x 2.5" Victaulic, 2 Locations	Air Powered	Remote	30.004.9
Intake Relief Valve, Flange Mount x 2.5" Victaulic, 3 Locations	Air Powered	Remote	30.004.15
Intake Relief Valve, Flange Mount x 2.5" Victaulic, 4 Locations	Air Powered	Remote	30.004.16



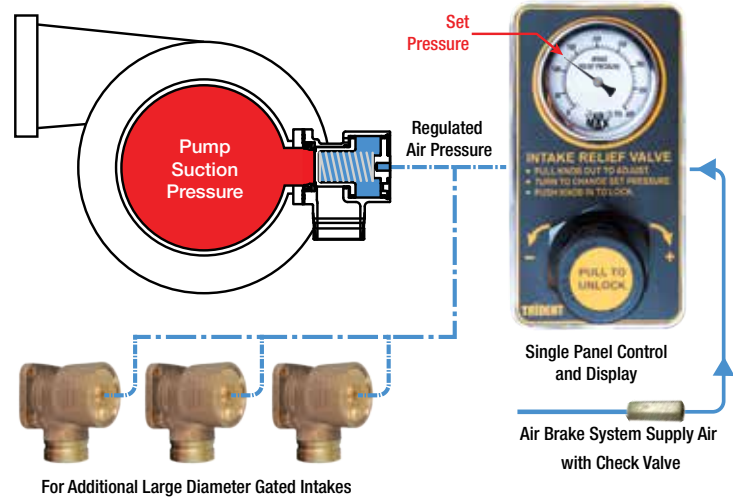
A simple air regulator is used to adjust the cracking pressure for this innovative suction side intake relief valve. The air spring allows the relief valve to open fully regardless of the set cracking pressure, unlike ordinary mechanical springs that produce an increasing force as they are forced open. Full opening allows for the maximum flow of water through the valve. More water flow means more pressure protection for personnel and equipment.

## Control Valve Product Features

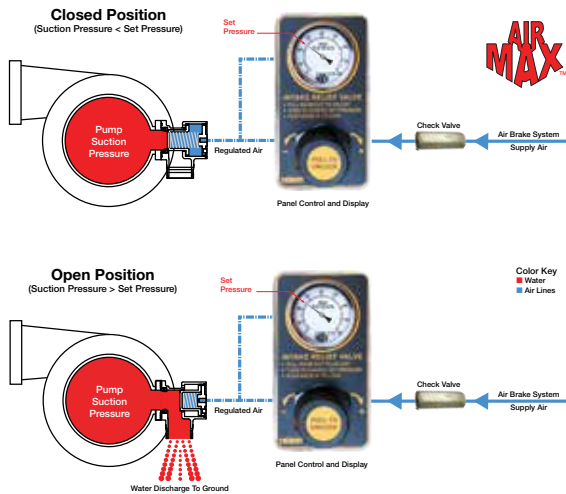
- ▶ Flows up to 750GPM
- ▶ Pressure Range of 50-300PSI
- ▶ Remote Control Air Operated with Variable Adjustment Includes Air Regulator
- ▶ Exceeds the NFPA Standard
- ▶ Outlet Configured as 2.5" Male NPT or 2.5" Victaulic
- ▶ Four Bolt Mounting Flange
- ▶ Self Draining
- ▶ All Brass and Stainless Steel Construction
- ▶ Corrosion Resistant



## INTAKE RELIEF VALVE SYSTEM



## Intake Relief Valve System



### ◀ Shown at Left

Kit Includes Panel Mount Bezel, Nameplate, Regulator, Regulator Nut, Pressure Gauge, Check Valve, Elbows, Gauge Airline and Mounting Hardware.





# Control Valves

Valves and Drains

Description	Threads	Finish	Part #
<b>Brass Control Valves - NPT x NPT - Straight</b>			
Bleeder/Drain Valve, .25", Brass, Straight, Rectangle Handle	NPT	CH	30.008.1
Bleeder/Drain Valve, .25", Brass, Straight, Round Handle	NPT	CH	30.008.2
Bleeder/Drain Valve, .375", Brass, Straight, Rectangle Handle	NPT	CH	30.018.1
Bleeder/Drain Valve, .375", Brass, Straight, Round Handle	NPT	CH	30.018.2
Bleeder/Drain Valve, .50", Brass, Straight, Rectangle Handle	NPT	CH	30.007.1
Bleeder/Drain Valve, .50", Brass, Straight, Round Handle	NPT	CH	30.007.2
Bleeder/Drain Valve, .75", Brass, Straight, Rectangle Handle	NPT	CH	30.006.1
Bleeder/Drain Valve, .75", Brass, Straight, Round Handle	NPT	CH	30.006.4
Bleeder/Drain Valve, .75", Brass, Straight, Lever Handle	NPT	CH	30.045.1
Bleeder/Drain Valve, 1.0", Brass, Straight, Rectangle Handle	NPT	CH	30.022.1
Bleeder/Drain Valve, 1.0", Brass, Straight, Round Handle	NPT	CH	30.022.2
<b>Brass Control Valves - NPT x NPT - 90 Degrees</b>			
Bleeder/Drain Valve, .75", Brass, 90°, Rectangle Handle	NPT	CH	30.002.1
Bleeder/Drain Valve, .75", Brass, 90°, Round Handle	NPT	CH	30.002.7
Bleeder/Drain Valve, .75", Brass, 90°, Lever Handle	NPT	CH	30.044.1
Bleeder/Drain Valve, 1.0", Brass, 90°, Rectangle Handle	NPT	CH	30.019.2
Bleeder/Drain Valve, 1.0", Brass, 90°, Round Handle	NPT	CH	30.019.3
<b>.75" Compact S/S Petcock Valve - Round Handle</b>			
Compact Drain Valve - .75" Male NPT Mounting	NPT	SS	30.046.0



## Automatic Drain Valves

Description	Threads	Finish	Part #
Automatic Drain Valve, .75", Brass	NPT	BR	30.049.1
.75"M x .75"M 90° Brass Elbow, Changes Orientation of Valve	NPT	BR	09.087.0
Automatic Drain Valve, .75", Brass, w/90° Nylon Discharge Elbow	NPT	BR	30.049.2



## Master Drain Valves

Description	Threads	Finish	Part #
Master Drain, 10 Port, Enclosed, Chrome Handle, 600 PSI	NPT	CH	30.009.2
Master Drain, 10 Port, High PSI, Enclosed, Alum Handle, 2000 PSI	NPT	AL	30.009.4
Master Drain, 12 Port, Enclosed, Chrome Handle, 600 PSI	NPT	CH	30.001.7
Master Drain, 8 Port, Cable Operated, Chrome T Handle on Panel	NPT	CH	30.048.0
Master Drain, 8 Port, Air Operated, Switch Placard on Panel	NPT	P	30.052.0



## Nickel Plated Threaded Ball Valves

Description	Threads	Finish	Part #
1.0" Ball Valve, Brass, 1/4 Turn Handle	NPT	NI	30.056.0
1.5" Ball Valve, Brass, 1/4 Turn Handle	NPT	NI	30.057.0
2.0" Ball Valve, Brass, 1/4 Turn Handle	NPT	NI	30.058.0
2.5" Ball Valve, Brass, 1/4 Turn Handle	NPT	NI	30.059.0
3.0" Ball Valve, Brass, 1/4 Turn Handle	NPT	NI	30.060.0
4.0" Ball Valve, Brass, 1/4 Turn Handle	NPT	NI	30.061.0

# Hardware

## Pump Panel Equipment



Description	Threads	Finish	Part #
<b>Gauge Test Port Panel</b>			
Gauge Test Panel, Horizontal Mount, w/Decal	.25" NPT	CH	14.003.0
Gauge Test Panel, Vertical Mount, w/Decal	.25" NPT	CH	14.003.2
<b>Gauge Test Port Panel - Run Tees</b>			
Gauge Test Panel, 0.25" NPT, Run Tees, Horizontal Mount	.25" NPT	CH	14.003.1
Gauge Test Panel, 0.25" NPT, Run Tees, Vertical Mount	.25" NPT	CH	14.003.3
<b>Gauge Test Port Panel - Bulkhead Fitting</b>			
Gauge Test Panel, 0.25" NPT, Bulkhead Fitting Assembly	.25" NPT	CH	09.023.0
Gauge Test Panel, 0.25" NPT, Bulkhead Fitting Assembly, w/Plug	.25" NPT	CH	09.023.1

## Panel Mounted Strainer



Description	Threads	Finish	Part #
<b>Panel Mounted Strainer</b>			
Strainer, Panel Mount, 2.0", 10 Mesh (Foam), 2.0" Chrome Cap	2.0" NH	BR	21.005.2
Strainer, Panel Mount, 2.0", 20 Mesh (Water), 2.0" Chrome Cap	2.0" NH	BR	21.005.3

## Folding Steps

Description	Design	Finish	Part #
<b>Folding Steps</b>			
Folding Step, NFPA Compliant, Luminescent Tread	Flip Down	SL	24.005.1
Folding Step, NFPA Compliant, Black Tread	Flip Down	SL	24.005.5
Folding Step, NFPA Compliant, Black Tread, "LED Lighted"	Flip Down	SL	24.005.3
Folding Step Mounting Gasket, Non Lighted Step	<b>1</b> Molded	RB	03.022.0
Folding Step Mounting Gasket, Lighted Step	<b>2</b> Molded	RB	03.022.1
Adapter Plate, Folding Step, From 4 Holes to 2 Holes	<b>3</b> 1/2" Aluminum	AL	18.017.1

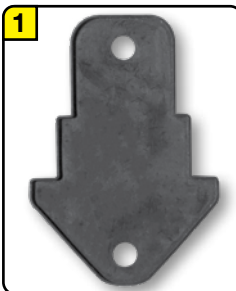
Black Tread



LED Lighted



Luminescent Tread



Hardware





# Valve Operators

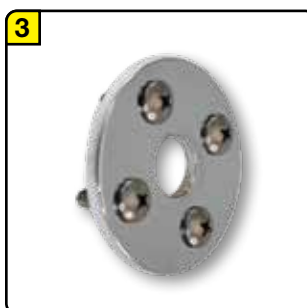
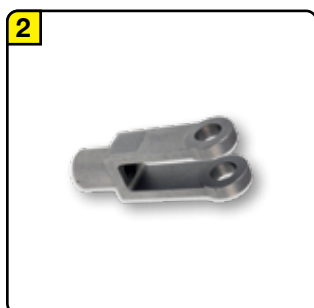
Top Mount Conventional Controls

Description	Type	Finish	Part #
<b>Top Mount Pump Panel Control Handles</b>			
Control Assembly, Top Mount Pump, 135°, Locking Handle	135°	CH	27.004.1
Control Assembly, Top Mount Pump, 90°, Locking Handle	90°	CH	27.004.3
Bell Crank Assembly, Top Mount Pump, Control Assembly		SS	27.004.2



## Side Mount Conventional Controls

Description	Stroke	Finish	Part #
<b>Side Mount Pump Panel Control Handles</b>		Maximum Length	
Pull T-Handle Assembly, 6.6" .50" Rigid Male	6.6"	CH	33.001.23
Pull T-Handle Assembly, 8.4" .50"-20 F, Rigid Bore	8.4"	CH	33.001.22
Pull T-Handle Assembly, 8.4" .50"-20 F, Threaded Swivel	8.4"	CH	33.001.15
Pull T-Handle Assembly, 10.4" .50"-20 F, Threaded Swivel	10.4"	CH	33.001.21
Pull T-Handle Assembly, 10.4" .50" Rigid Male	10.4"	CH	33.001.11
Pull T-Handle Assembly, 10.4" .50" Clevis	10.4"	CH	33.001.14
Pull T-Handle Assembly, 10.4" .50"-20 M, Threaded Swivel	10.4"	CH	33.001.24
Pull T-Handle Assembly, 12.4" .50"-20 F, Threaded Swivel	12.4"	CH	33.001.10
<b>Side Mount Pump Panel - Control Handle Accessories</b>			
Pull Rod Swivel, Ball Swivel, 90°, .50"-20 M x FM, Brass	Swivel	<b>1</b> CH	05.010.0
Pull Rod Clevis Yoke	Rigid	<b>2</b> SS	05.008.1
Pull T-Handle, Panel Garnish Ring, 4-Bolt Mount, Brass	Pull	<b>3</b> CH	08.009.0
Pull T-Handle, .375"-24 Threaded Bore	Pull	<b>4</b> CH	19.005.2
Pull T-Handle, .50" Bore	Pull	<b>4</b> CH	19.005.1
Pull T-Handle, .75" Bore	Pull	<b>4</b> CH	19.005.0
Pull Rod Guide Bushing - .50" Bore, Nylon Bushing (non-locking)	Panel	<b>5</b> CH	07.010.2
Guide Housing Subassembly, .75" w/Bushings and Lock		<b>6</b> HC	07.010.4
Universal Joint, .50" x .50"	U Joint	<b>7</b> BR	17.013.0





## Valve Position Indicating Hand-Wheels

- ▶ Tru-Flo™ is a Slow-Close valve control designed specifically for fire apparatus valves. This patented Hand-Wheel and Dial Indicator utilizes magnets to maintain the dial face in a stationary and readable orientation. As the Hand-Wheel is rotated, the valve position is displayed from fully open to fully closed
- ▶ The Hand-Wheel can be mounted in any orientation, including horizontally for side mount control panels or vertically for top mount control panels
- ▶ The indicating gauge is sealed and constructed of a polycarbonate, non-yellowing lens and case. The entire unit is corrosion resistant with brass and stainless steel components. The Hand-Wheel assembly incorporates four separate low friction bearings for smooth operation
- ▶ Available with NFPA color identification inlet/discharge label, all colors are immediately available



▲ **Shown Above**

Each Handwheel Kit includes two .50" Universal Joints.

Part Number: 17.013.0



▼ **Shown Below**

Constructed entirely from non corrosive materials.





# Valve Operators

Valve Position Indicating Hand-Wheels

Description	Color Choice	8:1 Ratio	9:1 Ratio	12:1 Ratio	16:1 Ratio
<b>4" Diameter Stainless Steel Handwheel</b>	<b>Select Color</b>	<b>Part #</b>	<b>Part #</b>	<b>Part #</b>	<b>Part #</b>
4" Position Indicating Handwheel Kit w/2 Swivel Joints	Orange	19.408.0	19.409.0	19.412.0	19.416.0
4" Position Indicating Handwheel Kit w/2 Swivel Joints	Red	19.408.1	19.409.1	19.412.1	19.416.1
4" Position Indicating Handwheel Kit w/2 Swivel Joints	Yellow	19.408.2	19.409.2	19.412.2	19.416.2
4" Position Indicating Handwheel Kit w/2 Swivel Joints	White	19.408.3	19.409.3	19.412.3	19.416.3
4" Position Indicating Handwheel Kit w/2 Swivel Joints	Blue	19.408.4	19.409.4	19.412.4	19.416.4
4" Position Indicating Handwheel Kit w/2 Swivel Joints	Black	19.408.5	19.409.5	19.412.5	19.416.5
4" Position Indicating Handwheel Kit w/2 Swivel Joints	Green	19.408.6	19.409.6	19.412.6	19.416.6
4" Position Indicating Handwheel Kit w/2 Swivel Joints	Silver	19.408.7	19.409.7	19.412.7	19.416.7
4" Position Indicating Handwheel Kit w/2 Swivel Joints	Purple	19.408.8	19.409.8	19.412.8	19.416.8
4" Position Indicating Handwheel Kit w/2 Swivel Joints	Yellow/White	19.408.9	19.409.9	19.412.9	19.416.9
4" Position Indicating Handwheel Kit w/2 Swivel Joints	Red/White	19.408.10	19.409.10	19.412.10	19.416.10
4" Position Indicating Handwheel Kit w/2 Swivel Joints	Gray	19.408.11	19.409.11	19.412.11	19.416.11
4" Position Indicating Handwheel Kit w/2 Swivel Joints	Burgundy	19.408.12	19.409.12	19.412.12	19.416.12
4" Position Indicating Handwheel Kit w/2 Swivel Joints	Brown	19.408.13	19.409.13	19.412.13	19.416.13
4" Position Indicating Handwheel Kit w/2 Swivel Joints	Gold	19.408.14	19.409.14	19.412.14	19.416.14
4" Position Indicating Handwheel Kit w/2 Swivel Joints	Magenta	19.408.15	19.409.15	19.412.15	19.416.15

Description	Color Choice	8:1 Ratio	9:1 Ratio	12:1 Ratio	16:1 Ratio
<b>6" Diameter Stainless Steel Handwheel</b>	<b>Select Color</b>	<b>Part #</b>	<b>Part #</b>	<b>Part #</b>	<b>Part #</b>
6" Position Indicating Handwheel Kit w/2 Swivel Joints	Orange	19.608.0	19.609.0	19.612.0	19.616.0
6" Position Indicating Handwheel Kit w/2 Swivel Joints	Red	19.608.1	19.609.1	19.612.1	19.616.1
6" Position Indicating Handwheel Kit w/2 Swivel Joints	Yellow	19.608.2	19.609.2	19.612.2	19.616.2
6" Position Indicating Handwheel Kit w/2 Swivel Joints	White	19.608.3	19.609.3	19.612.3	19.616.3
6" Position Indicating Handwheel Kit w/2 Swivel Joints	Blue	19.608.4	19.609.4	19.612.4	19.616.4
6" Position Indicating Handwheel Kit w/2 Swivel Joints	Black	19.608.5	19.609.5	19.612.5	19.616.5
6" Position Indicating Handwheel Kit w/2 Swivel Joints	Green	19.608.6	19.609.6	19.612.6	19.616.6
6" Position Indicating Handwheel Kit w/2 Swivel Joints	Silver	19.608.7	19.609.7	19.612.7	19.616.7
6" Position Indicating Handwheel Kit w/2 Swivel Joints	Purple	19.608.8	19.609.8	19.612.8	19.616.8
6" Position Indicating Handwheel Kit w/2 Swivel Joints	Yellow/White	19.608.9	19.609.9	19.612.9	19.616.9
6" Position Indicating Handwheel Kit w/2 Swivel Joints	Red/White	19.608.10	19.609.10	19.612.10	19.616.10
6" Position Indicating Handwheel Kit w/2 Swivel Joints	Gray	19.608.11	19.609.11	19.612.11	19.616.11
6" Position Indicating Handwheel Kit w/2 Swivel Joints	Burgundy	19.608.12	19.609.12	19.612.12	19.616.12
6" Position Indicating Handwheel Kit w/2 Swivel Joints	Brown	19.608.13	19.609.13	19.612.13	19.616.13
6" Position Indicating Handwheel Kit w/2 Swivel Joints	Gold	19.608.14	19.609.14	19.612.14	19.616.14
6" Position Indicating Handwheel Kit w/2 Swivel Joints	Magenta	19.608.15	19.609.15	19.612.15	19.616.15

Ratio	Valve Manufacturer
8:1	Waterous (old)
9:1	Hale, Elkhart, Waterous (new), Jamesbury Butterfly
12:1	Akron #8840, Elkhart Uni-Body
16:1	Akron #7840

### Suggested Handwheel Size According to Valve

- ▶ 4" Hand-Wheel used for 1.5" to 2.5" valves
- ▶ 6" Hand-Wheel used for 3.0" to 6.0" valves
- ▶ Hand-Wheels include two Universal Joints
- ▶ Ratio is the number of full turns required to bring the valve from full close to full open

Size (Any Color)
4"
6"

Valve Operators

# Wildland

## Manifolds and Swing Our Aluminum Valves

Shown with optional Thermal Relief Valve

▶ Part Number: 30.062.0

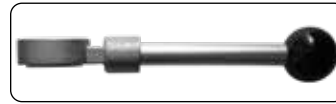


### Swing Out Valves

- ▶ 4-Bolt Swing-Out Type Valves
- ▶ Aluminum Body
- ▶ Stainless Steel Ball
- ▶ Replaceable Ball Seats
- ▶ Hard Coat Anodized Body

### Manifold and End Caps

- ▶ Aluminum Hard Anodized
- ▶ Bolt Together Assembly
- ▶ O-Ring Seals Between Sections
- ▶ Valve Ends: NPT, NST, Victaulic
- ▶ Threaded .375" NPT Tap for Drain or TRV
- ▶ Bolted Manifold End Caps



▲ **Optional Handle**  
For Aluminum Valves  
Part Number: 19.025.1



Description	Type	Finish	Part #
<b>1.0" Aluminum Ball Valve - Valve Ends - Manifold</b>			
1.0" Ball Valve, S/S Ball, Swing-Out, Aluminum Body	4-Bolt	HC	30.036.2
1.0" Female NPT x 4-Bolt Flange Valve End, Aluminum	Valve End	HC	09.064.0
1.0" Victaulic x 4-Bolt Flange Valve End, Aluminum	Valve End	HC	09.064.1
1.0" Male NH x 4-Bolt Flange Valve End, Aluminum	Valve End	HC	09.064.2
1.0" Male NPSH x 4-Bolt Flange Valve End, Aluminum	Valve End	HC	09.064.4
1.0" Barbed x 4-Bolt Flange Valve End, Aluminum	4-Bolt	HC	09.064.6
1.0" Manifold, (1) 1.0" x (2) 2.5" all 4-Bolt Flanges, Aluminum	4-Bolt	HC	07.028.11
<b>1.5" Aluminum Ball Valve - Valve Ends - Manifold</b>			
1.5" Ball Valve, S/S Ball, Swing-Out, Aluminum Body	4-Bolt	HC	30.037.2
1.5" Female NPT x 4-Bolt Flange Valve End, Aluminum	Valve End	HC	09.065.0
1.5" Victaulic x 4-Bolt Flange Valve End, Aluminum	Valve End	HC	09.065.1
1.5" Male NH x 4-Bolt Flange Valve End, Aluminum	Valve End	HC	09.065.2
1.5" Male NPSH x 4-Bolt Flange Valve End, Aluminum	Valve End	HC	09.065.4
1.5" Barbed x 4-Bolt Flange Valve End, Aluminum	4-Bolt	HC	09.065.6
1.5" Manifold, (1) 1.5" x (2) 2.5" all 4-Bolt Flanges, Aluminum	4-Bolt	HC	07.028.16
<b>2" Aluminum Ball Valve - Valve Ends - Manifold</b>			
2.0" Ball Valve, S/S Ball, Swing-Out, Aluminum Body	4-Bolt	HC	30.016.2
2.0" Female NPT x 4-Bolt Flange Valve End, Aluminum	Valve End	HC	09.066.0
2.0" Victaulic x 4-Bolt Flange Valve End, Aluminum	Valve End	HC	09.066.1
2.5" Male NH x 4-Bolt Flange Valve End, Aluminum	Valve End	HC	09.066.2
2.0" Manifold, (1) 2" x (2) 2.5" all 4-Bolt Flanges, Aluminum	4-Bolt	HC	07.028.21
<b>2½" Aluminum Ball Valve - Valve Ends - Manifold</b>			
2.5" Ball Valve, S/S Ball, Swing-Out, Aluminum Body	4-Bolt	HC	30.038.2
2.5" Female NPT x 4-Bolt Flange Valve End, Aluminum	Valve End	HC	09.067.0
2.5" Victaulic x 4-Bolt Flange Valve End, Aluminum	Valve End	HC	09.067.1
2.5" Male NH x 4-Bolt Flange Valve End, Aluminum	Valve End	HC	09.067.2
2.5" Female Swivel x 4-Bolt Flange Valve End, Aluminum	Valve End	HC	09.067.6
3.0" Victaulic x 4-Bolt Flange Valve End, Aluminum	Valve End	HC	09.067.7
2.5" Manifold, (1) 2.5" Valve x (2) 2.5" 4-Bolt Flanges, Aluminum	4-Bolt	HC	07.028.26
<b>Aluminum Manifolds - Discharge and Suction Tee</b>			
2.5" Discharge Tee Manifold, Aluminum	4-Bolt	HC	07.028.1
2.5" Suction Tee Manifold, Aluminum	4-Bolt	HC	07.029.1
<b>Valve Handle for 1.0", 1.5", 2.0", 2.5" Aluminum Valves</b>			
Handle, Aluminum with Round Knob		AL	19.025.1



### Ball Valves

- ▶ Threaded Ball Valves
- ▶ Brass Body With Nickel Plating
- ▶ Chrome Plated Brass Ball
- ▶ Teflon Ball Seats
- ▶ Rated to 375-PSIG

### Manifold and End Caps

- ▶ Aluminum Hard Anodized
- ▶ Bolt Together Assembly
- ▶ O-Ring Seals Between Sections
- ▶ Valve Ends: NPT, NST, Victaulic
- ▶ Threaded .375" NPT Tap for Drain or TRV
- ▶ Bolted Manifold End Caps



Description	Type	Finish	Part #
<b>1.0" Brass Valve-Threaded Adapters-Aluminum Manifold</b>			
1.0" Ball Valve, NPT Female Both Ends, Brass	Threaded	NI	30.056.0
1.0"M NPT x 1.0" Victaulic, Adapter, Brass	Threaded	BR	09.017.6
1.0"M NPT x 1.0"M NH, Adapter, Brass	Threaded	CH	01.164.1
1.0"M NPT x 1.0"M NPSH, Adapter, Brass	Threaded	BR	01.164.11
Manifold, 1.0"M NPT x (2) 2.5" 4-Bolt Flanges, Aluminum	4-Bolt, Thread	HC	07.030.11
<b>1.5" Brass Valve-Threaded Adapters-Aluminum Manifold</b>			
1.5" Ball Valve, NPT Female Both Ends, Brass	Threaded	NI	30.057.0
1.5"M NPT x 1.5" Victaulic, Adapter, Brass	Threaded	BR	09.017.0
1.5"M NPT x 1.5"M NH, Adapter, Brass	Threaded	CH	01.073.0
1.5"M NPT x 1.5"M NST, Adapter, Brass	Threaded	BR	01.073.11
1.5"M NPT x 1.5"F Swivel NH, Adapter, Brass	Threaded	CH	01.155.5
1.5"M NPT x 1.5"M NPSH, Adapter, Brass	Threaded	BR	01.073.31
Manifold, 1.5"M NPT x (2) 2.5" 4-Bolt Flanges, Aluminum	4-Bolt, Thread	HC	07.030.16
<b>2.0" Brass Valve-Threaded Adapters-Aluminum Manifold</b>			
2.0" Ball Valve, NPT Female Both Ends, Brass	Threaded	NI	30.058.0
2.0"M NPT x 2.0" Victaulic , Adapter, Brass	Threaded	BR	09.017.1
2.0"M NPT x 2.5"M NH, Adapter, Brass	Threaded	CH	01.136.0
Manifold, 2.0"M NPT x (2) 2.5" 4-Bolt Flanges, Aluminum	4-Bolt, Thread	HC	07.030.21
<b>2.5" Brass Valve-Threaded Adapters-Aluminum Manifold</b>			
2.5" Ball Valve, NPT Female Both Ends, Brass	Threaded	NI	30.059.0
2.5"M NPT x 2.5" Victaulic, Adapter, Brass	Threaded	BR	09.017.2
2.5"M NPT x 2.5"M NH, Adapter, Brass	Threaded	CH	01.011.10
2.5"M NPT x 2.5"F Swivel NH, Adapter, Brass	Threaded	CH	01.154.5
3.0"M NPT x 3.0" Victaulic, Adapter, Brass	Threaded	BR	09.017.3
Manifold, 2.5"M NPT x (2) 2.5" 4-Bolt Flanges, Aluminum	4-Bolt, Thread	HC	07.030.26
<b>90° Swivel Elbows - 1.0" Compact</b>			
1.0"F NPT x 1.0"M NH	Threaded	SS	01.186.0
1.0"F NPT x 1.0"M NPSH	Threaded	SS	01.186.1

## Product Features

- ▶ Rocker Lug
- ▶ Ball Type Chain
- ▶ Coated Cable Retainer Available
- ▶ Lightweight and High Strength
- ▶ Vented Threads (Except Garden Hose)
- ▶ Garden Hose Threads on Adapters
- ▶ NH and NPSH Threads
- ▶ Hard Anodized Finish Aluminum

Description	Type	Finish	Part #
<b>Aluminum Caps</b> ①			
1.0" NPSH, Aluminum w/Chain	RL	HC	01.094.20
1.0" NH, Aluminum w/Chain	RL	HC	01.081.20
1.5" NH, Aluminum w/Chain	RL	HC	01.005.20
2.5" NH, Aluminum w/Chain	RL	HC	01.006.20
3.0" NH, Aluminum w/Chain	RL	HC	01.015.20
<b>Aluminum Plugs</b> ②			
1.0" NH, Aluminum w/Chain	RL	HC	01.103.20
1.5" NH, Aluminum w/Chain	RL	HC	01.048.20
2.5" NH, Aluminum w/Chain	RL	HC	01.007.20
<b>Aluminum Double Male and Female Adapters</b> ③			
1.5" Double Male NH, Aluminum	RL	HC	01.062.20
2.5" Double Male NH, Aluminum	RL	HC	01.011.20
1.5" Double Female NH, Aluminum	RL	HC	01.060.20
2.5" Double Female NH, Aluminum	RL	HC	01.012.20
<b>Aluminum Reducing Adapters</b> ④			
1.0"F NH x 0.75"M GHT Reducer, Aluminum	RL	HC	01.168.20
1.5"F NH x 1.0"M NH Reducer, Aluminum	RL	HC	01.107.20
1.5"F NH x 0.75"M GHT Reducer, Aluminum	RL	HC	01.093.20
1.5"F NPSH x 1.5"M NH, Adapter, Aluminum	RL	HC	01.089.6
1.5"F NH x 1.5"M NPSH, Adapter, Aluminum	RL	HC	01.089.10
2.5"F NH x 0.75"M GHT Reducer, Aluminum	RL	HC	01.151.20
2.5"F NH x 1.0"M NH Reducer, Aluminum	RL	HC	01.169.20
2.5"F NH x 1.5"M NH Reducer, Aluminum	RL	HC	01.008.20







Description	Type	Finish	Part #
<b>Electric Valve Controllers and Switches</b>			
1" Alum Ball Valve Control, 12 Volt, Full Open-Full Close Only	Electric	CMP	25.002.0
1" Alum Ball Valve Control, 12 Volt, Position Indicating, Gated	Electric	CMP	25.002.1
1.5" Alum Ball Valve Control, 12 Volt, Full Open-Full Close Only	Electric	CMP	25.003.0
1.5" Alum Ball Valve Control, 12 Volt, Position Indicating, Gated	Electric	CMP	25.003.1
2" Alum Ball Valve Control, 12 Volt, Full Open-Full Close Only	Electric	CMP	25.004.0
2" Alum Ball Valve Control, 12 Volt, Position Indicating, Gated	Electric	CMP	25.004.1
2.5" Alum Ball Valve Control, 12 Volt, Full Open-Full Close Only	Electric	CMP	25.005.0
2.5" Alum Ball Valve Control, 12 Volt, Position Indicating, Gated	Electric	CMP	25.005.1
Control Switch, 12 Volt, Position Indicating, Gated	Electric	CMP	25.006.0
<b>Thermal Relief Valve and Anode</b>			
Thermal Relief Valve .375"M NPT, 140°F, Brass	140°F	BR	30.062.0
Anode, .375"M NPT	3/8"	BR/AL	09.078.0
<b>Miscellaneous: Tees, Caps, Spacer, Gaskets, Adapters</b>			
Discharge Tee, 4.375" Bolt Circle		HC	07.028.1
Suction Tee, (3) 5.375" Bolt Circle Flanges		HC	07.029.1
Adapter, 1.5"F NPT, 4.375" Bolt Circle		HC	09.077.11
Adapter, 2.5"F NPT, 4.375" Bolt Circle		HC	09.077.10
End Cap Flat, 4.375" Bolt Circle		HC	08.036.0
End Cap with O-Ring, 4.375" Bolt Circle		HC	08.036.2
Spacer Flange, 4.375" Bolt Circle		HC	08.037.10
Spacer Flange, 4.5" Bolt Circle		HC	08.037.11
Gasket, 2.75" Bolt Circle, For 1.0" Valve		FN	03.026.0
Gasket, 3.5" Bolt Circle, For 1.5" Valve		FN	03.026.1
Gasket, 4.375" Bolt Circle, For Manifold Flange		FN	03.026.5
Gasket, 4.5" Bolt Circle, For 2.0" Valve		FN	03.026.2
Gasket, 5.375" Bolt Circle, For 2.5" Valve		FN	03.026.3
<b>Hose Clamps</b>			
Hose Clamp, Adjustable, for 1.0" Barbed Fitting		SS	04.109.0
Hose Clamp, Adjustable, for 1.5" Barbed Fitting		SS	04.109.1

The controllers shown below are each available in two (2) configurations:

- ▶ Fully Open to Fully Closed. Toggle switch (off/on) control.
- ▶ Ability to be gated to a specific location with a color coded push button position indicator switch (pictured above).

Refer to the list above to determine the appropriate part number for your installation.



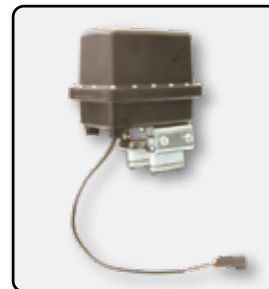
1.0" Electric Valve Control



1.5" Electric Valve Control



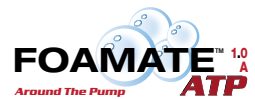
2.0" Electric Valve Control



2.5" Electric Valve Control

# Wildland

Class A Foam Proportioner



### Trident FOAMATE Advantages

- ▶ All Brass Body Construction and Connections.
- ▶ Hydro Tested to 700 PSI [48 BAR].
- ▶ GPM Flow Range: Up to 400 GPM [1500 LPM].
- ▶ Simple Operation and Training.
- ▶ Perfect for Retro-Fit Installation on Existing Units.
- ▶ Quick to Install – Under One Hour.
- ▶ GPM and LPM Configurations.

### Performance Range

- ▶ 400 GPM [1500 LPM] at .25%
- ▶ 200 GPM [750 LPM] at .50%
- ▶ 100 GPM [375 LPM] at 1.0%
- ▶ Above Performance Figures @ 100 PSI [6.9 Bar]

### FOAMATE Construction

- ▶ Brass metering valve with EPDM rubber replaceable foam compatible seals.
- ▶ Integral brass check valve to prevent backflow of foam into the water supply.
- ▶ Compact control panel, 4" High x 4" Wide x 4" Deep.
- ▶ Valve body and metering valve mounted behind panel (when panel mounted).
- ▶ Chrome plated control panel, with integral polycarbonate label listing operating instructions and foam diagram.



### Strainers Included

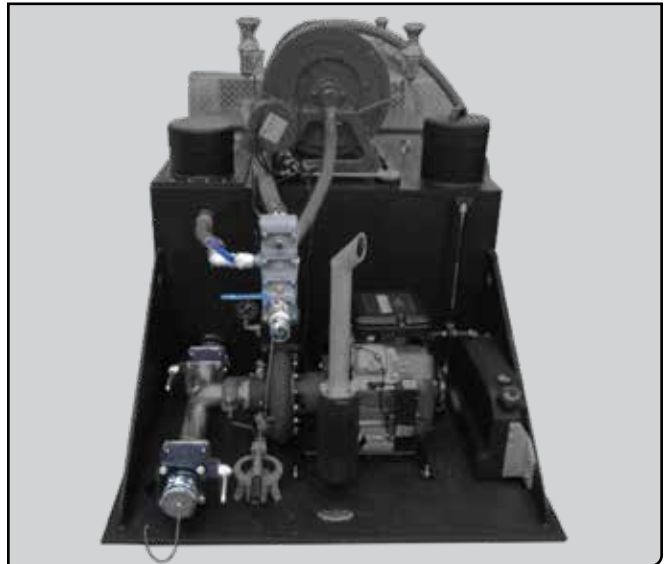
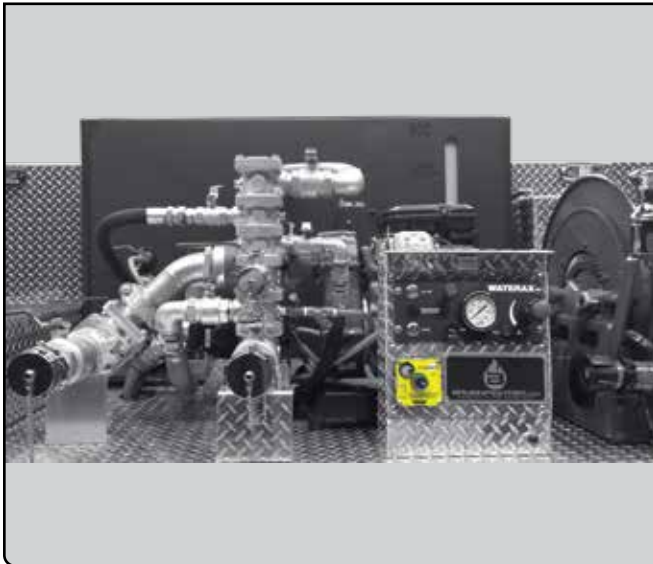
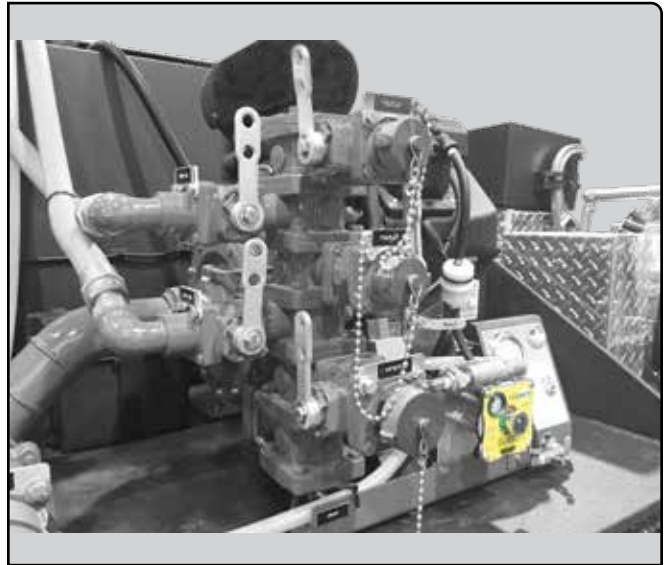
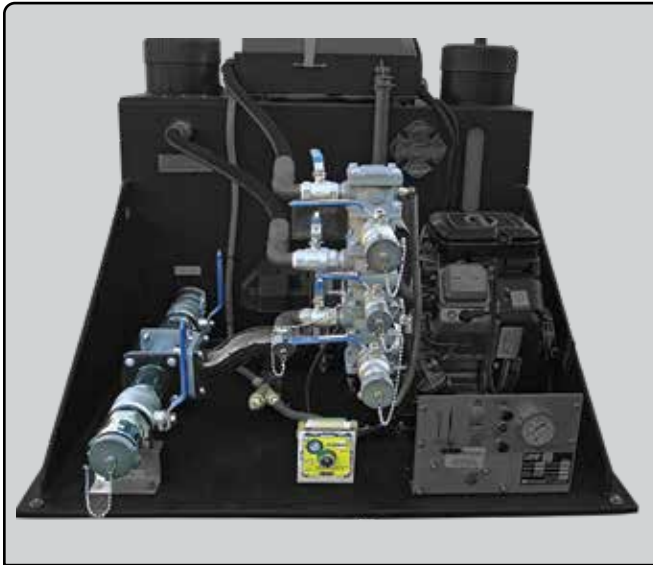
- ▶ Two (2) separate accessible and cleanable brass .75" wye strainers. One for water and one for foam intake lines.



Optional Foam Pickup Tube P/N 10.010.0

Description	Notes	Finish	Part #
<b>Foam Proportioner and Accessories</b>			
Foamate Model 1.0, Class A ATP GPM	Up to 400 GPM	BR	31.008.0
Foamate Model 1.0, Class A ATP LPM	Up to 1500 LPM	BR	31.008.1
Pickup Tube .75" Female Swivel GHT x 5' Long	Pail to FOAMATE	BR	10.010.0

Wildland Class A Foam





## Rocker Switch Positions

- ▶ Auto Prime Switch Position: Primer is automatically activated when the green OK TO PUMP light is ON, pump pressure is less than 20 PSI [1.3 bar], and primer control LED Green Light is ON.
- ▶ Prime Switch Position: Manually Push switch to activate primer or use for periodic testing of priming system (even with fire pump not in gear).

Description	Compressor	Mount	Part #
<b>Auto AirPrime ≤1000 GPM Pump, 2 Barrel, Compressor Size</b>	<b>13.2 Minimum</b>		
AirPrime, Auto 2 Barrel, Switch, 12 Volt, Remote Mount	13.2 CFM	.75"F NPT	31.003.5
AirPrime, Auto 2 Barrel, Switch, 24 Volt, Remote Mount	13.2 CFM	.75"F NPT	31.003.6
<b>Auto AirPrime ≥1250 GPM Pump, 3 Barrel, Compressor Size</b>	<b>15.6 Minimum</b>		
AirPrime, Auto 3 Barrel, Switch, 12 Volt, Remote Mount	15.6 CFM	.75"F NPT	31.001.3
AirPrime, Auto 3 Barrel, Switch, 24 Volt, Remote Mount	15.6 CFM	.75"F NPT	31.001.4
AirPrime, Auto 3 Barrel, Switch, 12 Volt, Hale Q 2-Bolt Mount	15.6 CFM	Direct	31.001.0
AirPrime, Auto 3 Barrel, Switch, 24 Volt, Hale Q 2-Bolt Mount	15.6 CFM	Direct	31.001.1

## Automatic Priming System With Lift Gauge

Description	Compressor	Mount	Part #
<b>AirPrime ≤1000GPM Pump, 2 Barrel, w/Gauge, Compressor Size</b>	<b>13.2 Minimum</b>		
AirPrime, Auto 2 Barrel, Switch, 12 Volt, Remote Mount, w/Gauge	13.2 CFM	.75"F NPT	31.013.5
AirPrime, Auto 2 Barrel, Switch, 24 Volt, Remote Mount, w/Gauge	13.2 CFM	.75"F NPT	31.013.6
<b>AirPrime ≥1250GPM Pump, 3 Barrel, w/Gauge, Compressor Size</b>	<b>15.6 Minimum</b>		
AirPrime, Auto 3 Barrel, Switch, 12 Volt, Remote Mount, w/Gauge	15.6 CFM	.75"F NPT	31.011.3
AirPrime, Auto 3 Barrel, Switch, 24 Volt, Remote Mount, w/Gauge	15.6 CFM	.75"F NPT	31.011.4
AirPrime, Auto 3 Barrel, Switch, 12 Volt, Hale Q 2-Bolt Mount, w/Gauge	15.6 CFM	Direct	31.011.0
AirPrime, Auto 3 Barrel, Switch, 24 Volt, Hale Q 2-Bolt Mount, w/Gauge	15.6 CFM	Direct	31.011.1
<b>Automatic AirPrime for Industrial Pumpers</b>			
AirPrime, Auto 2x2 Barrel, Switch, 12 Volt	>20 CFM	Remote	31.013.44
AirPrime, Auto 2x2 Barrel, Switch, 12 Volt, w/Gauge	>20 CFM	Remote	31.013.43
AirPrime, Auto 3x2 Barrel, Switch, 12 Volt, w/Gauge	>30 CFM	Remote	31.013.42

## Optional Control Panel with Lift Gauge

- ▶ Indicates the vertical elevation of water in feet during priming operation.
- ▶ Gauge connected to primer and will not be damaged by positive pressure connection.
- ▶ Testing: Ability for periodic ramp test of primer.
- ▶ No other primer in the World is equipped with an integral vacuum lift gauge.

## Auto AirPrime™ – Works On

- ▶ All types of fire pumps and any GPM rating.
- ▶ Perfect for cold weather operation.
- ▶ Any type of chassis with air brakes.
- ▶ High Flow Fire Pumps.

Also visit: [TridentAutoAirPrime.com](http://TridentAutoAirPrime.com) for more information.





**Auto AirPrime**

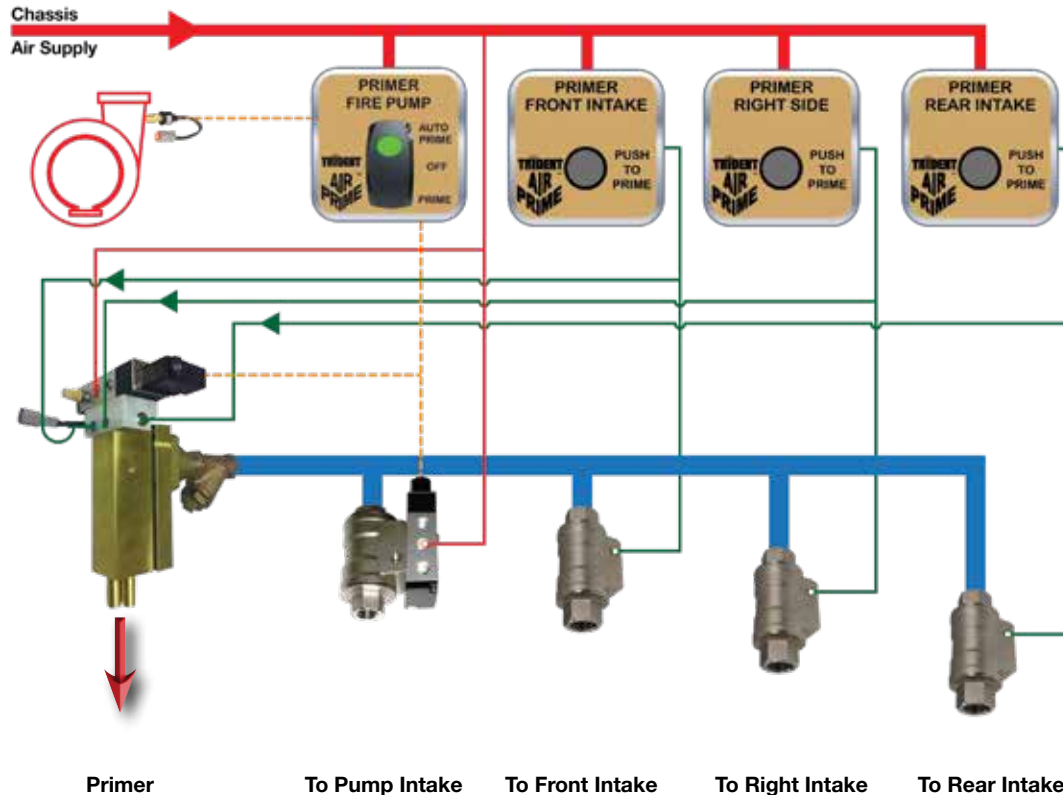
Assures automatic re-priming of fire pump when pump discharge pressure is lost.

- ▶ When a slug-of-air enters impeller.
- ▶ When an LDH discharge valve is opened too fast.
- ▶ Switching from water tank to another source.
- ▶ Other intakes can be manually pre-primed even while the Auto AirPrime™ is still engaged.

**Optional**  
Air Pressure  
Protection Valve  
P/N 30.053.0



See bottom of  
Page 41 for price.



Description	Compressor	Control	Part #
<b>AirPrime ≥1250GPM Pump, 3 Barrel, Multi, Compressor Size</b>	<b>15.6 Minimum</b>		
AirPrime, 2-Location, Auto 3 BBL, .75" F NPT Remote Mount	15.6 CFM	12V	31.001.21
AirPrime, 3-Location, Auto 3 BBL, .75" F NPT Remote Mount	15.6 CFM	12V	31.001.22
AirPrime, 4-Location, Auto 3 BBL, .75" F NPT Remote Mount	15.6 CFM	12V	31.001.23
<b>AirPrime w/Gauge ≥1250GPM Pump, 3 Barrel, Multi, Comp Size</b>	<b>15.6 Minimum</b>		
AirPrime, w/Gauge, 2-Location, Auto 3 BBL, .75" F NPT Remote Mount	15.6 CFM	12V	31.011.21
AirPrime, w/Gauge, 3-Location, Auto 3 BBL, .75" F NPT Remote Mount	15.6 CFM	12V	31.011.22
AirPrime, w/Gauge, 4-Location, Auto 3 BBL, .75" F NPT Remote Mount	15.6 CFM	12V	31.011.23
<b>AirPrime Conversion Kits (Any Type of Mount) For Converting an Existing AirPrime System</b>			
Single Location AirPrime, Converts Manual to Automatic			27.014.0
Multi-Location AirPrime, Converts Manual to Automatic			27.014.1
Manual AirPrime, Converts Single (1) Location to Dual (2) Location			27.005.2
Automatic AirPrime, Converts Single (1) Location to Dual (2) Location			27.005.3
Multi-Location AirPrime, Adds Locations Going From (2) Points to (3) Points. Or From (3) Points to (4) Points			27.005.1
Manual AirPrime, Adding Lift Gauge to Panel Control. Requires .125" NPT Port. Contact Factory for Details			27.005.4
Auto AirPrime, Adding Lift Gauge to Panel Control Requires .125" NPT Port. Contact Factory for Details			27.005.5
Manual AirPrime, Converting to Auto with Lift Gauge Requires .125" NPT Port. Contact Factory for Details			27.005.6
<b>Front Bumper Intake Priming Kits. Requires a Multiple Location (Intake) Priming System.</b>			
Front Suction Auxiliary Priming Kit, 5" Piping			27.011.1
Front Suction Auxiliary Priming Kit, 6" Piping			27.011.0

**Auto AirPrime**





### Standard Primer Panel

Depressing the **PUSH TO PRIME** button directs air to the primer inlet.

- ▶ An internal air primer valve is opened with air pressure from chassis air system.
- ▶ Vacuum for drafting is created by air-flow through multi-stage internal venturi nozzles.
- ▶ Panel has no water plumbing or electrical wiring – all air controlled, eliminates freezing and electrical problems.

Description	Compressor	Mount	Part #
AirPrime ≤1000GPM Pump, Manual, Compressor Size	13.2 Minimum		
AirPrime, Manual 2 Barrel, Push Button, Remote Mount	13.2 CFM	.75"F NPT	31.003.7
AirPrime, Manual 2 Barrel, Push Button, Hale Direct Mount	13.2 CFM	2-Bolt	31.003.2
AirPrime, Manual, 3-Barrel, Push Button, Remote Mount	15.6 CFM	.75"F NPT	31.001.7
AirPrime, Manual, 3-Barrel, Push Button, Hale Direct Mount	15.6 CFM	2-Bolt	31.001.2



### Optional Control Panel With Vacuum Gauge

- ▶ Indicates the vertical elevation of water in feet during priming operation.
- ▶ Gauge is connected to primer and will not be damaged by positive pressure connection.
- ▶ Testing: Ability for periodic ramp test of primer.

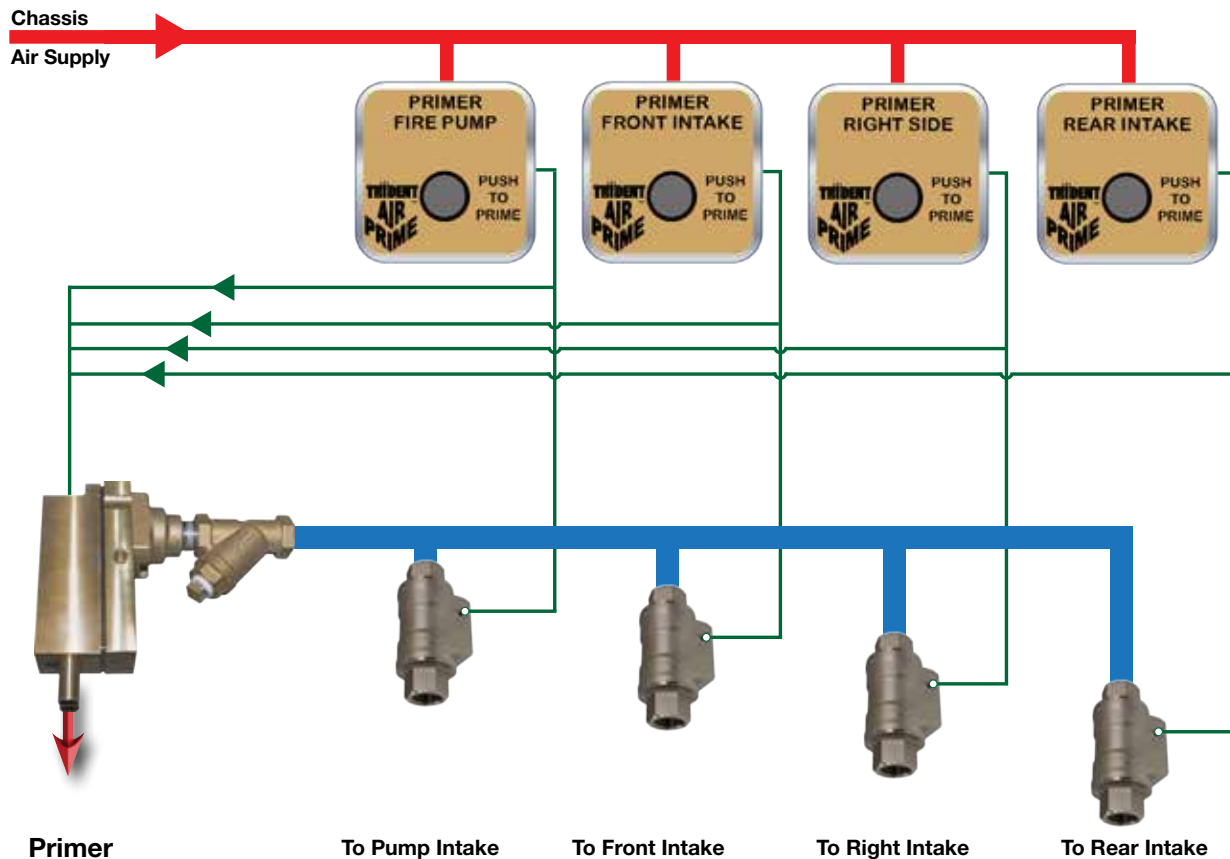


**Optional**  
Air Pressure  
Protection Valve  
P/N 30.053.0

Description	Compressor	Mount	Part #
AirPrime, w/Gauge ≥1000GPM, Manual, 2 Barrel, Air Comp Size	13.2 Minimum		
AirPrime, w/Gauge, Manual 2 Barrel, Button, Remote Mount	13.2 CFM	.75"F NPT	31.013.7
AirPrime, w/Gauge, Manual 2 Barrel, Button, Hale 2-Bolt Mount	13.2 CFM	Direct	31.013.2
AirPrime w/Gauge ≥1250GPM, Manual, 3 Barrel, Air Comp Size	15.6 Minimum		
AirPrime, w/Gauge, Manual, 3-Barrel, Button, Remote Mount	15.6 CFM	.75"F NPT	31.011.7
AirPrime, w/Gauge, Manual, 3-Barrel, Button, Hale 2-Bolt Mount	15.6 CFM	Direct	31.011.2
<b>AirPrime Optional Accessories</b>			
Air Pressure Protection Valve (Protect Air Brake System Pressure)			30.053.0

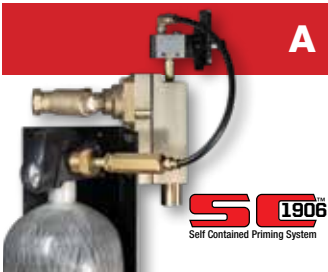
**Drafting or LDH Intakes**

- ▶ **Midship Pumpers:** Perfect for Front, Rear, Left and Right side intakes.
- ▶ **Tanker Shuttle:** Multiple folding tanks.
- ▶ **Quick and Easy:** Changing from tank to pump operation to external suction intake drafting.
- ▶ **LDH Hose Operations:** AirPrime quickly removes entrapped air prior to opening an LDH intake valve.



Description	Compressor	Mount	Part #
AirPrime ≥1250GPM, 3 Barrel, Multi, Air Compressor Size	15.6 Minimum		
AirPrime, 2-Location, Manual 3 Barrel, Button, Remote Mount	15.6 CFM	.75"F NPT	31.001.11
AirPrime, 3-Location, Manual 3 Barrel, Button, Remote Mount	15.6 CFM	.75"F NPT	31.001.12
AirPrime, 4-Location, Manual 3 Barrel, Button, Remote Mount	15.6 CFM	.75"F NPT	31.001.13
AirPrime w/Gauge ≥1250GPM, 3 Barrel, Multi, Air Compressor Size	15.6 Minimum		
AirPrime, w/Gauge, 2-Location, Manual, Button, Remote Mount	15.6 CFM	.75"F NPT	31.011.11
AirPrime, w/Gauge, 3-Location, Manual, Button, Remote Mount	15.6 CFM	.75"F NPT	31.011.12
AirPrime, w/Gauge, 4-Location, Manual, Button, Remote Mount	15.6 CFM	.75"F NPT	31.011.13

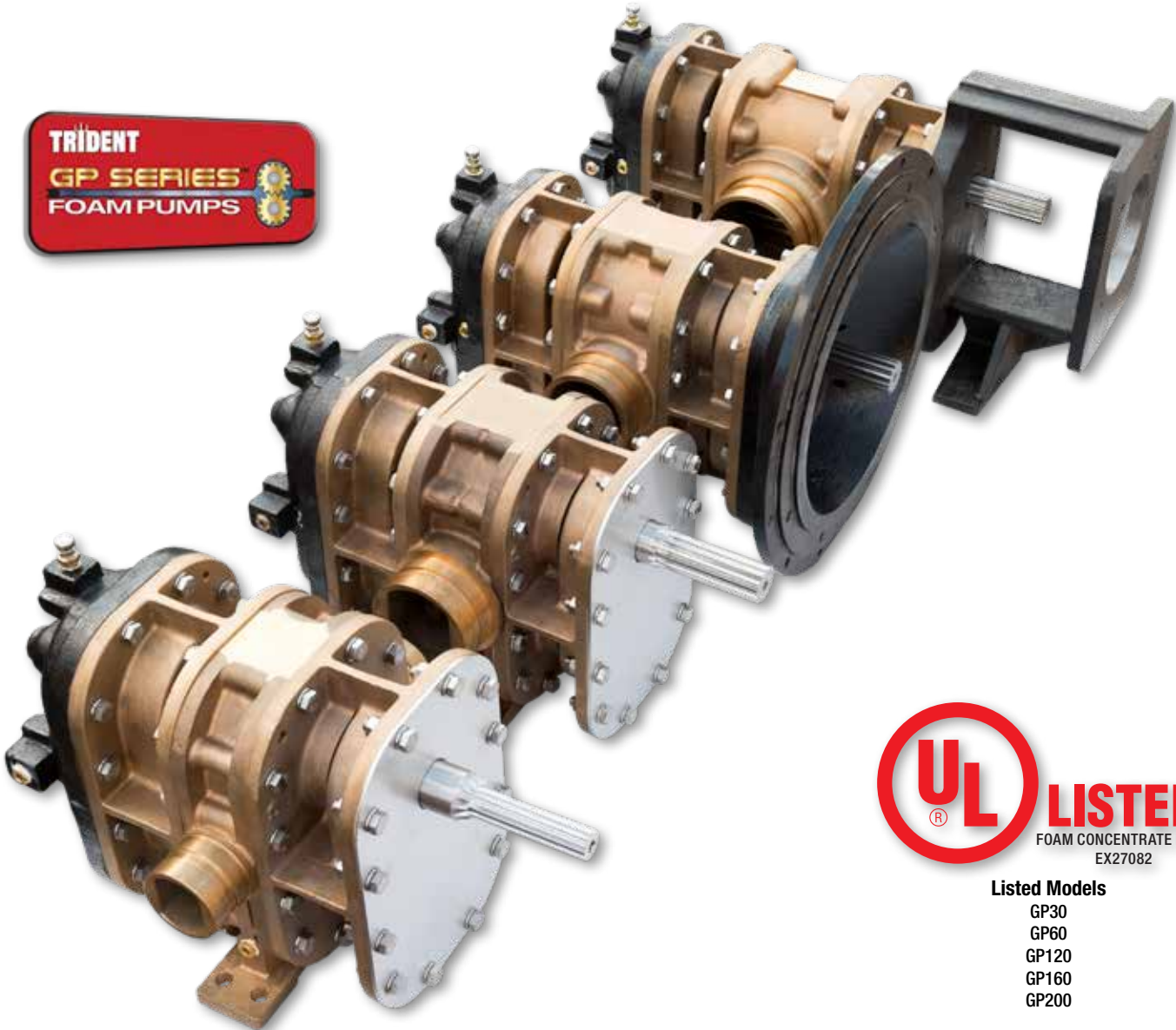
**A New Way To Prime Your Wildland Pump**



Description	Part #
AirPrime SC1906 - For Small (Skid Unit) Pumps	
AirPrime SC1906, Complete Unit	31.001.50
AirPrime SC1906, Regulator Only	14.013.0

**Manual AirPrime / AirPrime SC**

**GP Series™ High Performance Rotary Gear Foam Pumps**

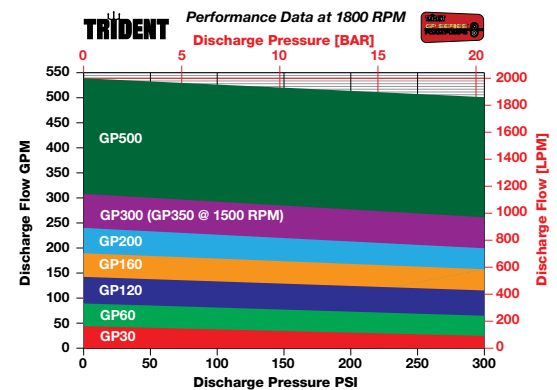


**Listed Models**

- GP30
- GP60
- GP120
- GP160
- GP200

**Foam Pumps**

Model	Nominal Flow		Port Size
	GPM	LPM	
GP500	500	1890	5.0"
GP300	300	1135	4.0"
GP200	200	760	3.0"
GP160	160	606	3.0"
GP120	120	455	2.0"
GP60	60	225	2.0"
GP30	30	115	1.5"

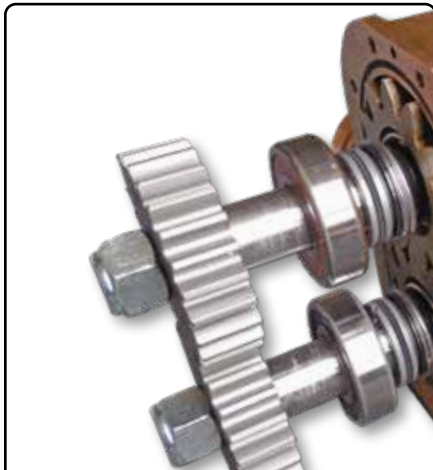




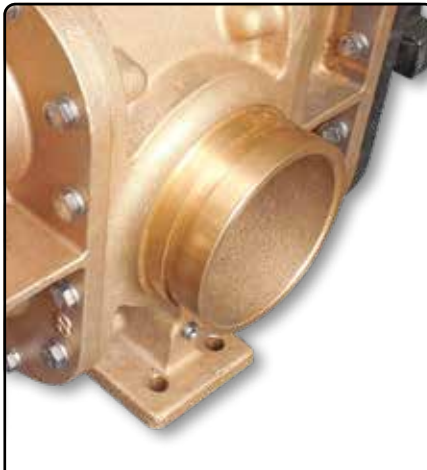
### Features and Benefits of Trident Foam Concentrate Pumps

#### Design Details

- ▶ Brass Housing with Bronze Alloy Rotors
- ▶ Hardened 17-4PH Stainless Steel Shafts
- ▶ Splined Pump Drive Shafts
- ▶ Keyed Shaft on GP30 and GP60
- ▶ Shaft Sealed 100% from Pumping Medium
- ▶ Splash Oil Lubrication for Timing Gears
- ▶ Silicon Carbide Mechanical Seals
- ▶ Rubber Seals - No Gaskets
- ▶ Double Row Roller Bearings - Sealed for Life
- ▶ Victaulic™ Connections
- ▶ Stainless Steel Fasteners
- ▶ Pump Mounts in any Orientation
- ▶ Designed for Easy Serviceability
- ▶ Optional SAE Engine Bell Housing Adapter
- ▶ Optional SAE Hydraulic Motor Bracket
- ▶ Optional Speed Sensor



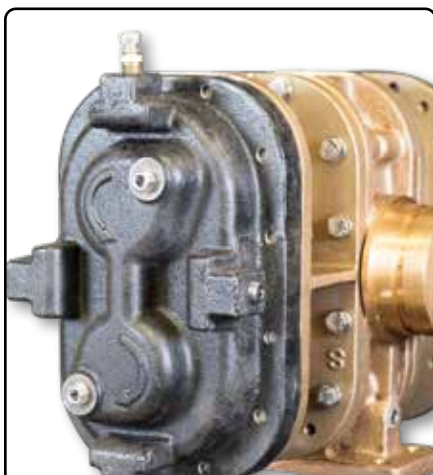
Timing Gears and Sealed 2 Row Roller Bearings



Victaulic™ Inlet and Outlet Connections



17-4PH Stainless Shafts  
Bronze Pump Rotors



Splash Oil Lubrication for Timing Gears



Bronze Pump Rotors and Mechanical Seals



Rubber Seals and Stainless Steel Fasteners

# Foam Concentrate Pumps

High Performance Rotary Gear Pumps

# Model Configurations

## Model U

Universal Mount | GP160



## Model H

Hydraulic Mount | GP300



## Model M

Bell Housing Mount | GP160



### Why GP Series™ Foam Pumps Include Timing Gears...

- ▶ Timing Gears Synchronize the Two Pumping Rotors
- ▶ Timing Gears Allow for DRY Running Without Damage
- ▶ No Rotor Contact Allows for Pumping Foam or Water
- ▶ Water Can Be Used for; Calibration, Testing and Training

### Design Features

Trident GP Series™ High Performance Rotary Gear Foam Pumps are loaded with a Wide Range of New Design Features. They are Self Priming and can pump Multiple Viscosities of Foam or Water. This versatile design is suitable for Electric, PTO, Diesel/Gasoline Engine, Water or Hydraulic drive motors.



### STANDARD FLOW DIRECTION PART NUMBERS

Drive Type

Model	U Top Shaft	U Bottom Shaft	H Top Shaft	M Top Shaft
GP30	31.018.2	31.018.4	31.018.0	31.018.3
GP60	31.021.2	31.021.4	31.021.0	31.021.3
GP120	31.017.2	31.017.4	31.017.0	31.017.3
GP160	31.007.2	31.007.4	31.007.0	31.007.3
GP200	31.016.2	31.016.4	31.016.0	31.016.3
GP300	31.006.2	31.006.4	31.006.0	31.006.3
GP500	31.022.2	31.022.4	31.022.0	31.022.3



Listed Models

- GP30
- GP60
- GP120
- GP160
- GP200

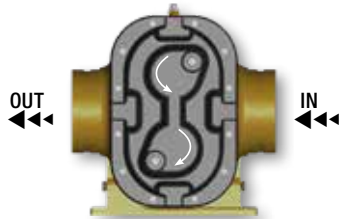
### REVERSE FLOW DIRECTION PART NUMBERS

Drive Type

Model	U Top Shaft	U Bottom Shaft	H Top Shaft	M Top Shaft
GP30	31.018.12	31.018.14	31.018.10	31.018.13
GP60	31.021.12	31.021.14	31.021.10	31.021.13
GP120	31.017.12	31.017.14	31.017.10	31.017.13
GP160	31.007.12	31.007.14	31.007.10	31.007.13
GP200	31.016.12	31.016.14	31.016.10	31.016.13
GP300	31.006.12	31.006.14	31.006.10	31.006.13
GP500	31.022.12	31.022.14	31.022.10	31.022.13

### Standard

Flow Direction - CW  
(From Shaft End)

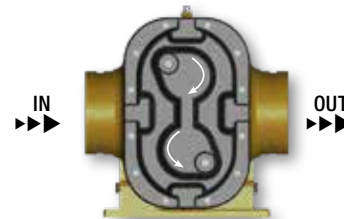


Viewed From the Timing Gear Cover

Contact Trident for  
Foam Pump Pricing  
and Product Details

### Reverse

Flow Direction - CCW  
(From Shaft End)



Viewed From the Timing Gear Cover

## Foam Pumps



A Simple and Reliable Solution for Transferring Foam Concentrate



Contact Us for more information on this cart.





Replacing Your Worn Out, Leaky Foam Pump With A New Trident GP Series™  
High Performance Positive Displacement, Rotary Gear Pump,

**It Is Probably Easier Than You Think!**

Contact Trident with your specific needs. We will prepare and ship out a replacement pump to minimize the Out-Of-Service time for your critical equipment.

Trident foam pumps are comparable in size to most other brands, and can be retrofitted into place without major re-work. Areas to consider when installing Trident foam pumps:

1. Mounting footprint is normally not the same as existing pump, so pump mounting bracket will require drilling a new mounting hole pattern. Also, make sure the existing bracket is in good sound condition to carry the weight of the new pump.
2. Plumbing connections on older pumps are generally pipe thread which will require rework to mate with the pipe groove (VIC) ports on the Trident pump. Trident does offer different size port adapters that may be of help.

Trident can also provide pipe groove clamps (VIC) to match.

3. Pump driveshaft connections will need to be considered, as older pumps have rounded, keyed shafts or spline shafts. Trident can provide new coupling sets and components, as required.

After review of existing pump information, Trident will provide recommended replacement pump along with outline drawings, performance curves, and pump Technical Manual.



# System Components

Ratio Controls, Metering Valves and Check Valves



Description	Size	GPM	Part #
<b>Ratio Controllers - Brass</b>			
2.0" Ratio Controller, Victaulic, 1.25" NPT Foam-In	Vic 2" In x 2" Out	60-200	31.004.1
2.5" Ratio Controller, Victaulic, 1.0" NPT Foam-In	Vic 2.5" In x 2.5" Out	100-320	31.004.2
3.0" Ratio Controller, Victaulic, 1.5" NPT Foam-In	Vic 3" In x 3" Out	170-625	31.004.3
4.0" Ratio Controller, Victaulic, 2.0" NPT Foam-In	Vic 4" In x 4" Out	350-1200	31.004.4

Description	Size/Ratio	GPM	Part #
<b>Metering Valves - Brass</b>			
2.0" Metering Valve w/Black Knob, Victaulic 1.5" In x 1.0" Out	2.0" - 1,3,6%	60-200	30.039.10
2.5" Metering Valve w/Black Knob, Victaulic 1.5" In x 1.0" Out	2.5" - 1,3,6%	100-320	30.039.11
3.0" Metering Valve w/Black Knob, Victaulic 1.5" In x 1.5" Out	3.0" - 1,3,6%	170-625	30.039.12
4.0" Metering Valve w/Black Knob, Victaulic 1.5" In x 1.5" Out	4.0" - 1,3,6%	350-1200	30.039.13
6.0" Metering Valve w/Lever, Victaulic 2.0" In x 2.0" Out	6.0" - 1,3,6%	1100-3500	30.070.6



**Contact Trident for Foam Component Pricing and Product Details**

Description	Size	Seat	Part #
<b>Check Valves - Brass</b>			
1.5" Check Valve, NPT Swing-Type	1.5"	BR	30.063.0
2.0" Check Valve, NPT Swing-Type	2.0"	BR	30.064.0
2.5" Check Valve, NPT Swing-Type	2.5"	BR	30.065.0
3.0" Check Valve, NPT Swing-Type	3.0"	BR	30.066.0



Description	Type	Finish	Part #
<b>Threaded Ball Valves</b>			
1.0" Ball Valve, Threaded Brass, NPT	Threaded	NI	30.056.0
1.5" Ball Valve, Threaded Brass, NPT	Threaded	NI	30.057.0
2.0" Ball Valve, Threaded Brass, NPT	Threaded	NI	30.058.0
2.5" Ball Valve, Threaded Brass, NPT	Threaded	NI	30.059.0
3.0" Ball Valve, Threaded Brass, NPT	Threaded	NI	30.060.0
4.0" Ball Valve, Threaded Brass, NPT	Threaded	NI	30.061.0

Description	Type	Finish	Part #
<b>Foam System Components</b>			
2.0" Balancing Valve, NPT, Water/Foam	Spool	BR	30.054.0
1.5" Flow Switch, Victaulic, 1.5" In x 1.5" Out, 14 GPM To Open	12/24 Volt	SS	40.005.0



Description	Set Press.	Finish	Part #
<b>Relief Valves for GP Series Foam Pumps</b>			
Relief Valve, .75"M NPT x .75"F NPT	Advise	BR	30.071.0
Relief Valve, 1.5"M NPT x 1.5"F NPT	Advise	BR	30.067.0
Relief Valve, 1.5"M NPT x 2.0"F NPT	Advise	BR	30.067.1
Relief Valve, 2.0"M NPT x 2.0"F NPT	Advise	BR	30.068.0
Relief Valve, 2.0"M NPT x 3.0"F NPT	Advise	BR	30.068.2

Contact Trident Emergency Products for proper relief valve sizing to match foam pump.

**Foam System Components**

# Foam Proportioners

## FOAMATE™ ATP 1.0 CLASS A



### Trident FOAMATE™ Advantages

- ▶ All Brass Body Construction and Connections
- ▶ Hydro Tested to 700 PSI [48 BAR]
- ▶ GPM Flow Range up to 400 GPM [1500 LPM]
- ▶ Simple Operation and Training
- ▶ Perfect for Retro-Fit Installation on Existing Units
- ▶ Quick to Install – Under One Hour

### Performance Range

- ▶ 400 GPM [1500 LPM] at .25%
- ▶ 200 GPM [750 LPM] at .50%
- ▶ 100 GPM [375 LPM] at 1.0%
- ▶ Above Performance @ 100 PSI [6.9 Bar]

Description	Notes	Finish	Part #
<b>Class A Foam Proportioner and Accessories</b>			
FOAMATE™ ATP 1.0, Class A GPM Dial Calibration	Up to 400 GPM	BR	31.008.0
FOAMATE™ ATP 1.0, Class A LPM Dial Calibration	Up to 1500 LPM	BR	31.008.1
Pickup Tube .75" Female Swivel GHT x 5' Long	Pail to FOAMATE	BR	10.010.0



### FOAMATE™ ATP 1.0 Class A Details

- ▶ Eductor Water Connection is .25" F NPT
- ▶ Eductor Foam Solution Connection is .375" F NPT
- ▶ Eductor Foam Concentrate Connection is .75" M GHT
- ▶ Driving Water Flow is 5-GPM [19 LPM] at 100-PSI [6.9 Bar]
- ▶ Wye Strainer Connection is .75" F NPT at Each End
- ▶ Wye Strainer Cleanout Thread is .50" F NPT

### FOAMATE™ ATP 1.0 Product Features

- ▶ Wildland Slip-On Units
- ▶ Municipal Pumpers
- ▶ Separate Foam-On Knob
- ▶ Flush in Foam-Off Position
- ▶ Factory Calibrated
- ▶ Low Cost Complete Assembly
- ▶ Certified to NFPA Standards



### FOAMATE Construction

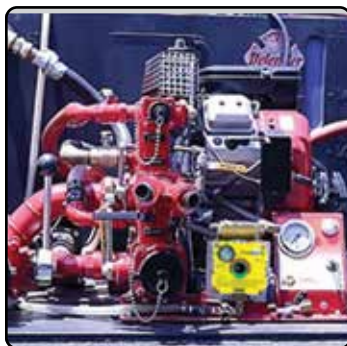
- ▶ Brass metering valve with EPDM rubber replaceable foam compatible seals.
- ▶ Integral brass check valve to prevent backflow of foam into the water supply.
- ▶ Compact control panel, 4" High x 4" Wide x 4" Deep.
- ▶ Valve body and metering valve mounted behind panel (when panel mounted).
- ▶ Chrome plated control panel, with integral polycarbonate label listing operating instructions and foam diagram.

### Strainers Included

- ▶ Two (2) separate accessible and cleanable brass .75" wye strainers. One for water and one for foam intake lines.

Description	Notes	Finish	Part #
<b>Foam Proportioner and Accessories</b>			
Foamate Model 1.0, Class A ATP GPM	Up to 400 GPM	BR	31.008.0
Foamate Model 1.0, Class A ATP LPM	Up to 1500 LPM	BR	31.008.1
Pickup Tube .75" Female Swivel GHT x 5' Long	Pail to FOAMATE	BR	10.010.0

### Optional Foam Pickup Tube P/N 10.010.0



Contact Trident for the FOAMATE™ ATP 1.0 Technical Manual or download from our websites.  
[www.TridentDirect.com](http://www.TridentDirect.com) or [www.FoamPumps.com](http://www.FoamPumps.com)

1.0 Proportioners



# Foam Proportioners

FOAMATE™ ATP 1.5 CLASS A, Class B, Class A+B



Class A Metering Valve

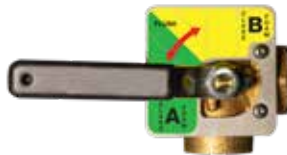


Class B Metering Valve



Ball Valve

Description	Type	Part #
<b>Class A ATP Foam Proportioners</b>		
FOAMATE™ ATP 1.5, Class A, FNPT Ends, GPM, Basic	Basic <b>Without Valves</b>	31.030.4
FOAMATE™ ATP 1.5, Class A, FNPT Ends, LPM, Basic	Basic <b>Without Valves</b>	31.030.6
FOAMATE™ ATP 1.5, Class A FNPT Ends, GPM w/3 Ball Valves	● w/4 Ball Valves	31.030.5
FOAMATE™ ATP 1.5, Class A FNPT Ends, LPM w/3 Ball Valves	● w/4 Ball Valves	31.030.7
<b>Class B ATP Foam Proportioners</b>		
FOAMATE™ ATP 1.5, Class B, FNPT Ends, GPM, Basic	Basic <b>Without Valves</b>	31.030.0
FOAMATE™ ATP 1.5, Class B, FNPT Ends, LPM, Basic	Basic <b>Without Valves</b>	31.030.2
FOAMATE™ ATP 1.5, Class B FNPT Ends, GPM w/3 Ball Valves	● w/4 Ball Valves	31.030.1
FOAMATE™ ATP 1.5, Class B FNPT Ends, LPM w/3 Ball Valves	● w/4 Ball Valves	31.030.3
<b>Class A+B ATP Foam Proportioners</b>		
FOAMATE™ ATP 1.5, Class A+B, FNPT Ends, GPM, Basic	Basic <b>Without Valves</b>	31.030.8
FOAMATE™ ATP 1.5, Class A+B, FNPT Ends, LPM, Basic	Basic <b>Without Valves</b>	31.030.10
FOAMATE™ ATP 1.5, Class A+B FNPT Ends, GPM w/3 Ball Valves	● w/4 Ball Valves	31.030.9
FOAMATE™ ATP 1.5, Class A+B FNPT Ends, LPM w/3 Ball Valves	● w/4 Ball Valves	31.030.11
2" x 10' Pickup Hose and Pickup Tube <b>Without</b> Ball Valve	PVC Fittings/Vinyl Hose	10.010.1
2" x 10' Pickup Hose and Pickup Tube <b>With</b> Ball Valve	PVC Fittings/Vinyl Hose	10.010.2



Selector Valve



Eductor Valve



Check Valve

<b>1</b>	30.108.0 1.0" Check Valve For Class A Metering Valve
<b>2</b>	30.063.0 1.5" Check Valve For Class B Metering Valve

## Performance and Features

- ▶ **Eductor:** All brass construction. 1" [25 mm] water inlet, 1" [25 mm] foam concentrate inlet, 1.5" [38 mm] foam solution outlet. All connections are pipe groove Victaulic.
- ▶ **Eductor Flow:** 45 GPM [170 LPM] at 125 PSI [8.5 Bar].
- ▶ **System Operating Pressure:** 125 – 250 PSI [8.5 – 17 Bar].
- ▶ **Flow Rates:** Variable flow rates to multiple discharge outlets up to the maximum foam system capacity.

- ▶ **Metering Valves:** All brass construction. **Class A** 1/2" [13 mm] and **Class B** 1" [25 mm] FNPT foam concentrate inlet and outlet.
- ▶ All discharge outlets provide foam solution at the same time.
- ▶ No back pressure restriction from hose lengths or elevation.
- ▶ Compatible with any type of foam concentrate and foam making nozzle.
- ▶ Fire pump operations do not change.
- ▶ Maximum fire pump inlet pressure: 5 PSI [0.35 Bar].

## Maximum System Flow Rates:

Class A	Injection Rate	Flow Rate
Class A	¼% Injection:	1000 GPM [4000 LPM]
	½% Injection:	1000 GPM [4000 LPM]
	1% Injection:	500 GPM [2000 LPM]

Class B	Injection Rate	Flow Rate
Class B	1% Injection:	1000 GPM [4000 LPM]
	3% Injection:	1000 GPM [4000 LPM]
	6% Injection:	500 GPM [2000 LPM]

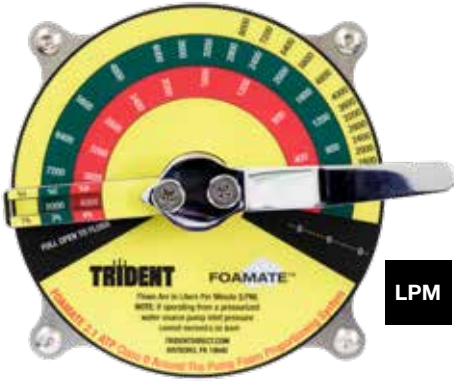
FOAMATE™ ATP 1.5A Auxiliary Foam Pickup Kit	
Part #	Description
10.010.0	.75" x 5' Pickup Hose and Pickup Tube

FOAMATE™ ATP 1.5B Auxiliary Foam Pickup Kits	
Part #	Description
10.010.6	1.5" x 10' Pickup Hose and Pickup Tube <b>Without</b> Ball Valve
10.010.7	1.5" x 10' Pickup Hose and Pickup Tube <b>With</b> Ball Valve

Contact Trident for the FOAMATE™ ATP 1.5 Class A, B, or A+B Technical Manual or download from our websites.  
[www.TridentDirect.com](http://www.TridentDirect.com) or [www.FoamPumps.com](http://www.FoamPumps.com)

# Foam Proportioners

## FOAMATE™ ATP 2.1 CLASS B



LPM



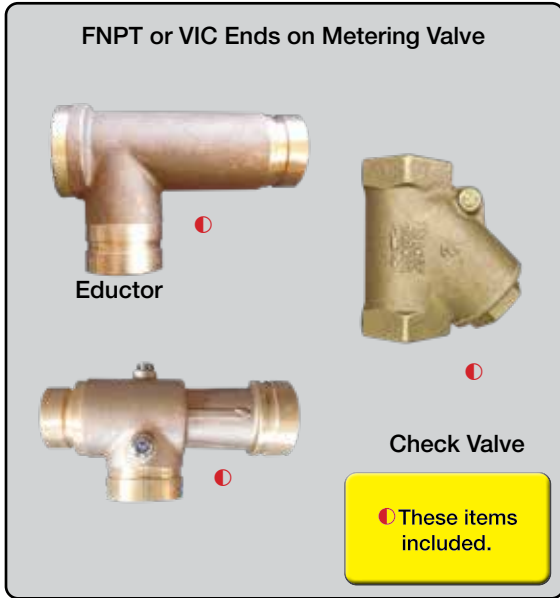
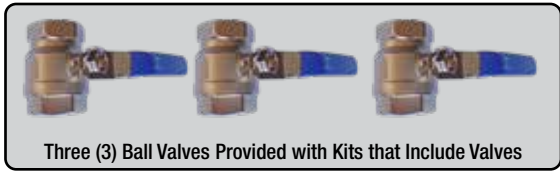
GPM

### Features and Performance

- ▶ Brass Construction for Wetted Parts
- ▶ Panel Mountable Metering Valve
- ▶ Standard Units Without Valves
- ▶ Available with 3 Threaded Ball Valves
- ▶ Pump Panel Label and Instructions
- ▶ Available in GPM and LPM Versions
- ▶ Class B Ratios of 1%, 3%, 6%
- ▶ 2000 GPM [8000 LPM] @ 1%
- ▶ 2000 GPM [8000 LPM] @ 3%
- ▶ 1000 GPM [4000 LPM] @ 6%

Description	Type	Finish	Part #
<b>Class B ATP Foam Proportioners</b>			
FOAMATE™ ATP 2.1, Class B, VIC Ends, GPM, Basic	Basic (See Below)	BR	31.014.2
FOAMATE™ ATP 2.1, Class B, VIC Ends, LPM, Basic	Basic (See Below)	BR	31.014.3
FOAMATE™ ATP 2.1, Class B, FNPT Ends, GPM, Basic	Basic (See Below)	BR	31.014.12
FOAMATE™ ATP 2.1, Class B, FNPT Ends, LPM, Basic	Basic (See Below)	BR	31.014.13
FOAMATE™ ATP 2.1, Class B VIC Ends, GPM w/3 Ball Valves	w/3 Ball Valves	BR	31.014.4
FOAMATE™ ATP 2.1, Class B VIC Ends, LPM w/3 Ball Valves	w/3 Ball Valves	BR	31.014.5
FOAMATE™ ATP 2.1, Class B FNPT Ends, GPM w/3 Ball Valves	w/3 Ball Valves	BR	31.014.14
FOAMATE™ ATP 2.1, Class B FNPT Ends, LPM w/3 Ball Valves	w/3 Ball Valves	BR	31.014.15
2" x 10' Pickup Hose and Pickup Tube <b>Without</b> Ball Valve	PVC Fittings/Vinyl Hose		10.010.1
2" x 10' Pickup Hose and Pickup Tube <b>With</b> Ball Valve	PVC Fittings/Vinyl Hose		10.010.2

FOAMATE 2.1 ATP Auxiliary Foam Pickup Kits	
Part #	Description
10.010.1	2" x 10' Pickup Hose and Pickup Tube <b>Without</b> Ball Valve
10.010.2	2" x 10' Pickup Hose and Pickup Tube <b>With</b> Ball Valve



### OPERATING INSTRUCTIONS

**CLASS B FOAMATE ATP**

**Operation**

1. Start and Fully Prime Water Pump
2. Open the Eductor Supply Valve
3. Set Metering Valve for Desired Foam % and Water Flow
4. Open the Foam Shutoff Valve
5. Open the Desired Discharge Valves and Operate

**After Operation**

1. Close the Foam Shutoff Valve Completely
2. Open the Flush Valve Fully to Clean System
3. Allow Flush Valve to Flow Until Clear Water Appears

**TRIDENT**

Use Class B Foam  
 Water Pressure: 125-250 PSIG [8.6-17 BAR]  
 Maximum Suction Pressure: 5 PSIG [0.35 BAR]  
 Refer to Foamate 2.1 Manual for further instruction.

Contact Trident for the FOAMATE™ ATP 2.1 Class B Technical Manual or download from our websites.  
[www.TridentDirect.com](http://www.TridentDirect.com) or [www.FoamPumps.com](http://www.FoamPumps.com)

2.1 Proportioners



# Foam Products

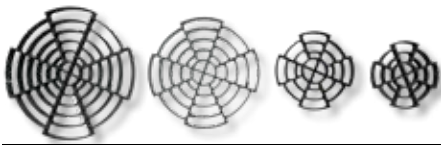
Pumps - Proportioners

# TRIDENT

## EMERGENCY PRODUCTS, LLC



[www.tridentdirect.com](http://www.tridentdirect.com)



Suction Strainer Description	Size	Type	Finish	Part #
Suction Strainer, 1.5", Die-Cast Zinc	1.5"	D-C	Z	21.001.8
Suction Strainer, 2.5", Die-Cast Zinc	2.5"	D-C	Z	21.001.7
Suction Strainer, 3.0", Die-Cast Zinc	3.0"	D-C	Z	21.001.4
Suction Strainer, 3.5", Die-Cast Zinc	3.5"	D-C	Z	21.001.9
Suction Strainer, 4.0", Die-Cast Zinc	4.0"	D-C	Z	21.001.3
Suction Strainer, 4.5", Die-Cast Zinc	4.5"	D-C	Z	21.001.2
Suction Strainer, 5.0", Die-Cast Zinc	5.0"	D-C	Z	21.001.1
Suction Strainer, 6.0", Die-Cast Zinc	6.0"	D-C	Z	21.001.0

The strainers listed above are genuine replacements for Trident manufactured intake fittings. Please contact Trident for strainer dimensions or detailed drawings.



Suction Strainer Retaining Ring Description	Size	Type	Finish	Part #
Retainer Ring, 4.0", Stainless Steel	4.0"	Flat	SS	04.013.3
Retainer Ring, 4.5", Stainless Steel	4.5"	Flat	SS	04.013.4
Retainer Ring, 5.0", Stainless Steel	5.0"	Flat	SS	04.013.1
Retainer Ring, 6.0", Stainless Steel	6.0"	Flat	SS	04.013.0



Suction Strainer Description	Size	Type	Finish	Part #
Suction Strainer, 2.5", Wire Mesh	2.5"	Wire	SS	21.001.5
Suction Strainer, 3", Wire Mesh	3"	Wire	SS	21.001.6



Strainer Description	Size	Finish	Part #
Panel Strainer Screen, 10 Mesh Replacement, (Foam)	10 Mesh	SS	21.004.0
Panel Strainer Screen, 20 Mesh Replacement (Water)	20 Mesh	SS	21.004.1
AirPrime/Foamate Replacement Wye Strainer Screen, .75"	0.75"	SS	21.003.1



Master Drain Seal Kit Description	Size	Finish	Part #
Pump Master Drain Kit, Seal Kit, Model 10P	10P	RB	27.001.0
Pump Master Drain Kit, Seal Kit, Model 10P-HP	High Pressure	RB	27.001.4
Pump Master Drain Kit, Seal Kit, Model 12P	12P	RB	27.001.0
Remote Master Drain Seal Kit, 8 Port Drain	8P	RB	27.001.3

# Spare Parts

AirMax, Tru-Flo Handwheels



AirMax Replacement Parts	Material	Part #
Valve Body, 2.5", Victaulic, As Cast	BR	07.008.1
Valve Body, 2.5", NPT, As Cast	BR	07.008.0
Spring, Internal Compression	SST	20.004.0
Retaining Ring, For Spring Cover	SST	04.013.2
Pipe Plug, .25" NPT	BR	09.005.0
Filter, Air Inlet, Wire Mesh	WM	21.002.0
Valve Body Cover, Spring Retainer	BR	08.007.0
Piston, Valve Brody Internal	BR	11.003.0
Retainer, Piston Seal	BR	04.017.0
Seal Kit, 5 Replacement Seals	RB	27.007.1
Bezel, For Control Panel Label, Chrome	Cast	02.009.3
Label, Panel Control, Self Adhesive	P	02.009.4
Gauge, Air Pressure	GS	14.002.1
Hex Nut, Regulator Attachment	AL	04.024.0
Label, Regulator, Pull To Unlock	P	02.009.5
Fittings, Air Connection to Gauge	BR	27.017.0
Regulator, Air Pressure	CMP	14.001.0
Panel Kit, Regulator, Gauge, Labels, Fittings	Mixed	27.006.0
Valve Body Assembly, 2.5", Victaulic	BR	30.004.10
Valve Body Assembly, 2.5", NPT	BR	30.004.11
Valve, Air Pressure Protection	AL	30.053.0
Check Valve, Air Pressure, .25" NPT	BR	30.012.0



Tru-Flo Handwheel Replacement Parts	Material	Part #
Universal Joint Coupling	BR	17.013.0
Handle, Outer Rotating Portion	SS	19.013.0
Handle, Inner Axle Portion	SS	19.013.1
Handle Assembly, Hand Wheel Crank	SS	19.013.2
Bearing, White Nylon, 1 piece	NY	16.004.0
Bearing, White Nylon, Set of 4	NY	27.019.1
Set Screw, Handle to Wheel	SS	04.054.0
Washer, Black Rubber, Between Handle & Wheel	RB	04.077.0
Set Screw, Gauge to Wheel	SS	04.041.0
Bezel Assembly, Pump Panel Mount, w/Hardware	SS	08.024.1
Gauge, Valve Position, 8:1 Ratio, Waterous (old)	CMP	14.005.5
Gauge, Valve Position, 9:1 Ratio, Hale, Elkhart, Waterous, Jamesbury Butterfly	CMP	14.005.4
Gauge, Valve Position, 12:1 Ratio, Akron #8840 and Elkhart Uni-Body	CMP	14.005.6
Gauge, Valve Position, 16:1 Ratio, Akron #7840	CMP	14.005.9

Tru-Flo Handwheel Color Labels							
02.022.0	Orange	02.022.4	Blue	02.022.9	Yellow/White	02.022.13	Brown
02.022.1	Red	02.022.6	Green	02.022.10	Red/White	02.022.14	Gold
02.022.2	Yellow	02.022.7	Silver	02.022.11	Gray	02.022.15	Magenta
02.022.3	White	02.022.8	Purple	02.022.12	Burgundy	Labels are 2.3125" OD.	

Spare Parts



Hose Washer Description	Size	Type	Finish	Part #
Garden Hose Washer, 0.75"	0.75"	NH	RB	03.003.12
Hose Washer, 1.0"	1.0"	NH	RB	03.003.9
Hose Washer, 1.5"	1.5"	NH	RB	03.003.7
Hose Washer, 2.0"	2.0"	NH	RB	03.003.6
Hose Washer, 2.5"	2.5"	NH	RB	03.003.5
Hose Washer, 3.0"	3.0"	NH	RB	03.003.4
Hose Washer, 3.5"	3.5"	NH	RB	03.003.3
Hose Washer, 4.0"	4.0"	NH	RB	03.003.2
Hose Washer, 4.5"	4.5"	NH	RB	03.003.1
Hose Washer, 5.0"	5.0"	NH	RB	03.003.0
Hose Washer, 6.0"	6.0"	NH	RB	03.002.0



Swivel Kits - Canadian Threads - Akron Valve	Threads	Type	Finish	Part #
Swivel Kits, (2.990" x 8 TPI) F	AMA	RL	CH	18.S06.32
Swivel Kits, (3.000" x 8 TPI) F	BCT	RL	CH	18.S06.33
Swivel Kits, (3.125" x 5 TPI) F	CSA	RL	CH	18.S06.23
Swivel Kits, (3.230" x 5 TPI) F	NSS	RL	CH	18.S06.22
Swivel Kits, (3.250" x 5 TPI) F	PEI	RL	CH	18.S06.31
Swivel Kits, (3.031" x 7 TPI) F	QST	RL	CH	18.S06.19
Swivel Kits, (3.250" x 6 TPI) F	WCT	RL	CH	18.S06.30



Front Suction Swivel - Kits For 5" and 6" Elbows	Type	Finish	Part #
Suction Swivel, Seal Kit, O-Rings Only	Seal Kit	RB	27.001.1
Suction Swivel Kit, Stainless Handle, Shaft, Nut Left Hand Thread	Handle Kit	SS	27.009.0
Suction Swivel Ball and Seal Kit, O-Rings, Balls, Set Screws	Rebuild Kit		27.009.1
Spanner Wrench for Suction Base	Wrench	Steel	29.001.0
Suction Base Kit, Chrome, Seal Kit and Handle Kit	Base Kit	CH	27.009.2
Suction Base Kit, Chrome, Seal Kit and Handle Kit w/Wrench	Base Kit	CH	27.009.3
Suction Base Kit, Brass, Seal Kit and Handle Kit	Base Kit	BR	27.009.4
Suction Base Kit, Brass, Seal Kit and Handle Kit w/Wrench	Base Kit	BR	27.009.5
Plug, Suction Elbow, .75" Hex Head, Stainless Steel		SS	09.037.0



Replacement Decals/Placard	Type	Finish	Part #
Decal, Test Panel, Horizontal Mount	Horizontal	Vinyl	02.010.0
Decal, Test Panel, Vertical Mount	Vertical	Vinyl	02.010.1
Decal, Master Drain	OFF ↔ ON	Vinyl	02.007.0
Decal, Top Mount Valve Handle	Twist to Lock	Vinyl	02.007.1



# Spare Parts

Swivels, Steps, Handles



Swivel/Seal Rebuild Kits		Part #
1.5" Outlet Chicksan Seal and Swivel Rebuild Kit		27.007.0
2.5" Outlet Chicksan Seal and Swivel Rebuild Kit		27.007.8
1.0" Swivel Rebuild Kit		27.007.12
1.5" Swivel Rebuild Kit		27.007.11
2.5" Swivel Rebuild Kit		27.007.2
3.0" Swivel Rebuild Kit		27.007.7
4.0" Swivel Rebuild Kit		27.007.10



Retainer - Chain or Cable	Type	Finish	Part #
Chain, 12", Beaded w/S Hook and Eye	Beaded	Chrome	05.005.1
Cable, 12", Stainless Steel, Vinyl Covered, w/S Hook and Eye	Braided	Stainless	05.005.0



Folding Step Replacement Parts/Kits	Part #
Replacement Spring and Pins	27.012.1
Replacement Luminescent Tread Decals (3 Pieces)	27.012.2
Replacement LED Light Kit	27.012.3
Replacement Black Tread Decals (3 Pieces)	27.012.4



Replacement Handle/Knob	Finish	Part #
Replacement Knob, Master Drain/Top Mount, Chrome	Chrome	19.001.2
Replacement Rectangular Handle, .50" and Smaller, Chrome	Chrome	19.002.2
Replacement Rectangular Handle, .75" and Larger, Chrome	Chrome	19.002.3
Replacement Round Handle, .50" and Smaller, Chrome	Chrome	19.004.2
Replacement Round Handle, .75" and Larger, Chrome	Chrome	19.004.3
Replacement Lever Handle, .75" and Larger, Chrome	Chrome	19.006.1
Replacement Knob, Master Drain, High Pressure, .50", Aluminum	Aluminum	19.011.0



In Line Valve Rebuild Kits	Part #
Rebuild Kit, 1" Alum Valve, Includes Ball - Seats and O-Rings	27.007.13
Rebuild Kit, 1.5" Alum Valve, Includes Ball - Seats and O-Rings	27.007.6
Rebuild Kit, 2" Alum Valve, Includes Ball - Seats and O-Rings	27.007.5
Rebuild Kit, 2.5" Alum Valve, Includes Ball - Seats and O-Rings	27.007.14

Spare Parts



AirPrime Replacement Parts	Model	Part #
Rocker Switch 12-volt and Placard Assembly	Auto Units	27.003.5
Rocker Switch 24-volt and Placard Assembly	Auto Units	27.003.6
Label Gold, Panel Rocker Switch	Auto Units	02.004.2
Label Gold, Panel Rocker Switch with Lift Gauge	Auto Units	02.004.4
Bezel Chromed, Panel Rocker Switch	Auto Units	02.004.1
Bezel Chromed, Panel Rocker Switch with Lift Gauge	Auto Units	02.004.3
Pressure Switch and Connector	Auto Units	40.002.1
Rocker Switch 12-volt, Placard, Lift Gauge Assembly	Auto Units	27.003.7
Rocker Switch 24-volt, Placard, Lift Gauge Assembly	Auto Units	27.003.8
Rocker Switch 12-volt Replacement	Auto Units	40.001.2
Rocker Switch 24-volt Replacement	Auto Units	40.001.3
Wiring Harness for Auto AirPrime	Auto Units	41.001.0
Pressure Protection Valve (PPV)	Auto and Manual Units	30.053.0
Lift Gauge	Auto and Manual Units	14.006.0
Filter, Air Inlet Wire Mesh	Auto and Manual Units	21.002.0
Seal Kit, Replacement Seals	Auto and Manual Units	27.003.3
Wye Strainer, 3/4" NPT, Brass	Auto and Manual Units	21.003.0
Wye Strainer Replacement Filter, Stainless Steel Mesh	Auto and Manual Units	21.003.1
Push Button and Placard Assembly	Manual Units	27.003.1
Label Gold, Panel Push Button	Manual Units	02.006.4
Label Gold, Panel Push Button with Lift Gauge	Manual Units	02.006.10
Bezel Chromed, Panel Push Button	Manual Units	02.006.3
Bezel Chromed, Panel Push Button with Lift Gauge	Manual Units	02.006.9
Push Button Replacement	Manual Units	30.005.3
Push Button, Placard, Lift Gauge Assembly	Manual Units	30.005.4
Remote Priming Valve (RPV)	Multi Location Units	30.035.1
Check Valve, Air .25" NPT	Multi Location Units	30.012.0
Remote Priming Valve with 12-volt Solenoid	Multi Location Units	30.035.10
Remote Priming Valve with 24-volt Solenoid	Multi Location Units	30.035.11
Multi-Location Push-Button w/ Mounting Plate	Multi Location Units	27.003.9
Jumper Cable	Multi Location Units	41.003.0
Label Gold, Panel Control for Front Intake	Multi Location Units	02.006.5
Label Gold, Panel Control for Rear Intake	Multi Location Units	02.006.6
Label Gold, Panel Control for Left Side Intake	Multi Location Units	02.006.7
Label Gold, Panel Control for Right Side Intake	Multi Location Units	02.006.8
Regulator to Cylinder Valve O-Ring (Pack of 6)	For AirPrime SC	27.007.16



FOAMATE™ 1.0 Repair Kit: Part Number 27.007.17 Includes items below.

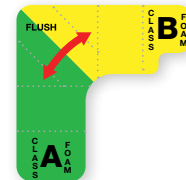
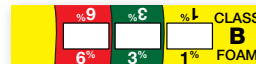
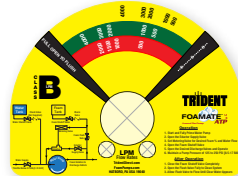
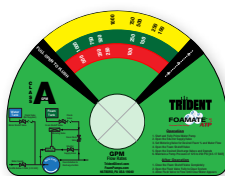
Qty	Description	Material	Part #
1	O-Ring, -210, 70 Duro	EPDM	Included
1	Spring	Stainless Steel	Included
1	Seal, 12P	EPDM	Included
1	O-Ring, -119, 70 Duro	EPDM	Included
1	O-Ring, -015, 70 Duro	EPDM	Included
1	O-Ring, -016, 70 Duro	EPDM	Included

Qty	Description	Material	Part #
1	O-Ring, -210, 70 Duro	EPDM	Included
1	O-Ring, -210, 70 Duro	EPDM	Included
1	Spring	Stainless Steel	Included
1	Seal, 12P	EPDM	Included
1	O-Ring, -018, 70 Duro	EPDM	Included
1	O-Ring, -210, 70 Duro	EPDM	Included
1	O-Ring, -022, 70 Duro	EPDM	Included

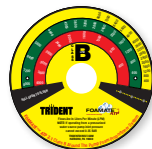
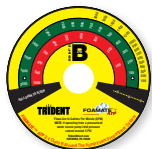
FOAMATE™ ATP 1.5 Class A Replacement Parts			
Qty	Description	Material	Part #
1	Valve, Ball, 1/2"	Brass Body	30.007.0
1	Label, Flow Indicator Handle	Polycarbonate	02.050.1
1	Label, GPM, Flow Rate/Injection Indicator	Polycarbonate	02.051.1
1	Label, LPM, Flow Rate/Injection Indicator	Polycarbonate	02.052.1

FOAMATE™ ATP 1.5 Class B Replacement Parts			
Qty	Description	Material	Part #
1	Valve, Ball, 1"	Brass Body	30.022.0
1	Label, Flow Indicator Handle	Polycarbonate	02.050.0
1	Label, GPM, Flow Rate/Injection Indicator	Polycarbonate	02.051.0
1	Label, LPM, Flow Rate/Injection Indicator	Polycarbonate	02.052.0

FOAMATE™ ATP 1.5 Selector Valve Replacement Parts			
Qty	Description	Material	Part #
1	Valve, 3-Way, 2-Position	Bronze	30.111.0
1	Label, Selector Valve, Class A / Class B, FOAMATE™ 1.5	Polycarbonate	02.053.1



FOAMATE™ ATP 2.1 Replacement Parts		Material	Part #
Label Yellow, Flow Dial, GPM Calibration, Self Adhesive		Self Adhesive	02.028.1
Label Yellow, Flow Dial, LPM Calibration, Self Adhesive		Self Adhesive	02.028.2
Label Yellow, Percentage Bar, Self Adhesive		Self Adhesive	02.028.4
Label Yellow, Instruction Diagram, Self Adhesive		Self Adhesive	02.023.1
Metering Valve Seal Kit, Includes Retaining Ring, Rubber O-Rings		Rubber	27.007.9



## 5 Year Warranty

For five years after the date of purchase, Trident Emergency Products, LLC warrants its products to be free from defects in materials and workmanship when properly installed, operated, and maintained.

If during the warranty period, a product is discovered to be defective, Trident will, at its option, replace or repair the warranted product or grant the purchaser a credit for the product claimed to be defective. Trident will have the sole discretion to determine whether the product was defective.


This warranty is null and void if the product is damaged due to abuse, misuse, negligence or accidental causes.

No warranty of merchantability or fitness for a particular purpose, nor any warranty, express or implied, is made by Trident. The foregoing states Trident Emergency Products, LLC's entire and exclusive liability and buyer's exclusive remedy for any claim or damages in connection with the sale of its products. In no event shall Trident be liable for any special incidental, or consequential damages whatsoever.



## GP Series™ Foam Pump Warranty

Our GP Series Foam Pumps feature a 5 Year Warranty. Please contact Trident for details on the warranty.



### Safety First!!!

Serious Injury, Death and Destruction of Property can result from improper selection or improper use of products described in this catalog. Since Trident has no control over the number and variety of applications for which its products may be purchased or the conditions under which they may be used, Trident liability on any claim, whether in contract, tort (including negligence), or otherwise, for any loss or damage shall in no case exceed the price paid for the product or any part thereof which give rise to claim. As always, Trident technical assistance and support is available for your convenience.



### Warning - User Responsibilities

The customer, installer, and end-user shall assume sole responsibility in making the final selection of products and accessories. Furthermore, these parties shall hold Trident harmless for all liability, claims, suits, and expenses incurred. These parties shall ensure maintenance, safety precautions and warnings regarding the application are enforced at all times. Trident is not responsible for use of products in excess of rated and recommended capacities, design functions, or abnormal conditions.



### Caution - Proper Selection of Accessories

Trident offers a wide variety of accessory items and optional features for its products. It is the sole responsibility of the customer, installer and end users to ensure that the proper items and features have been selected to fit the application.



### Warning - Follow Instructions

The customer, installer and end users shall ensure that all potential users of these products receive continual training and access to all relevant product manuals and safety instructions. This information should be thoroughly reviewed prior to installation, stored and reviewed continually during use of the product. Trident assumes no responsibility for fitness of installation and continued use in specific applications.



**Note:** All designs, specifications, and dimensional data contained in this catalog are subject to change without notice. No additional warranties, express or implied, including warranties of merchantability for fitness for a particular purpose, are created by the descriptions and depictions of the products on or in this catalog. Not responsible for typographical errors.



# Order Processing

**Order Submission:** Orders are preferably submitted via Email: [sales@tridentdirect.com](mailto:sales@tridentdirect.com). Orders can also be submitted through Our Website: [www.TridentDirect.com](http://www.TridentDirect.com). Please visit the Internet Registration/Ordering (**My Account**) section on the website. See graphic shown below for location.

**Tax Exemption:** If tax exempt, we ask that the customer sends their state issued tax exempt certificate or resale certificate to [sales@tridentdirect.com](mailto:sales@tridentdirect.com).

**Order Acknowledgement:** All orders will be acknowledged by Trident within one (1) business day of receipt unless a scheduled holiday(s) prevents this.

**Payment/Terms:** 1%10NET30 days on approved credit, or with Visa/MC/AMEX credit card. Service charge of 1.5% on past due accounts.



**Order Processing/Fulfillment:** Trident Emergency Product's normal operating hours are Monday through Friday, 7:00AM to 3:30PM EST. We strive to ship orders as soon as possible however, depending on the size and type of order, we will not always be able to complete same day shipping. In general, please add 1-2 business days to allow for processing time. If we anticipate a longer lead time we will contact you immediately. For questions regarding lead times please contact [sales@tridentdirect.com](mailto:sales@tridentdirect.com).

Our daily UPS ground pickup occurs at 3PM Eastern Stand Time. To ensure order fulfillment, we suggest that orders requiring expedited shipping methods (UPS Next Day Air etc.) are submitted by 12PM EST to allow for order entry, packing and processing.

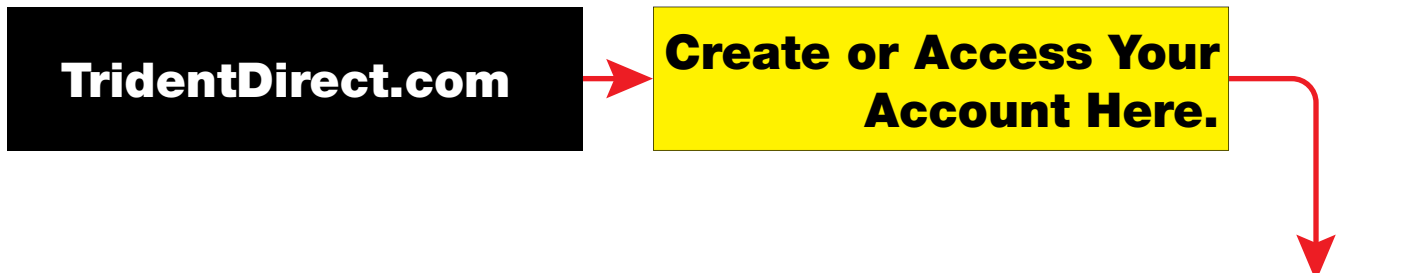
Please note that Trident must be notified of items missing from a shipment or order within ten (10) business days of receipt. After ten business days the customer assumes full and complete responsibility for any and all missing items.

**Returns:** Most items are returnable within 30 days of sale. Each return must be damage free, include all components and be in a new (saleable) condition. A 20% restocking fee is applied upon acceptance of the return. A Return Goods Authorization (RGA) number must be obtained from Trident prior to returning an item. The RGA number must appear on the exterior of the package being returned. Submit your return request with the original order number to [sales@tridentdirect.com](mailto:sales@tridentdirect.com).

**Special orders and items with special threads are not returnable.**

**Internet Registration/Ordering:** To order parts online, please visit [www.TridentDirect.com](http://www.TridentDirect.com). To register as a new customer click the "My Account" option in the top right corner then select "REGISTER". Next, fill in the blank form and create a password for your account. Once you have completed this step your submission will be reviewed. If this occurs during normal working hours (Monday through Friday, 7:00AM – 3:30PM EST) the review/approval process typically occurs within an hour. Through the review process all customer information is examined for accuracy and appropriate discount levels are assigned accordingly.

**NOTE:** Your registration data is protected with the latest security protocols. Trident values your security and will not share or sell your information.



**TridentDirect.com** → **Create or Access Your Account Here.** → **My Account**

**TRIDENT**  
EMERGENCY PRODUCTS, LLC

Phone: 215-293-0700 Fax: 215-293-0701 Or, click to contact us by email

MY CART  
Empty

My Account ▾

HOME AIRPRIME AIRMAX FOAM PUMPS & PRODUCTS OTHER PRODUCTS

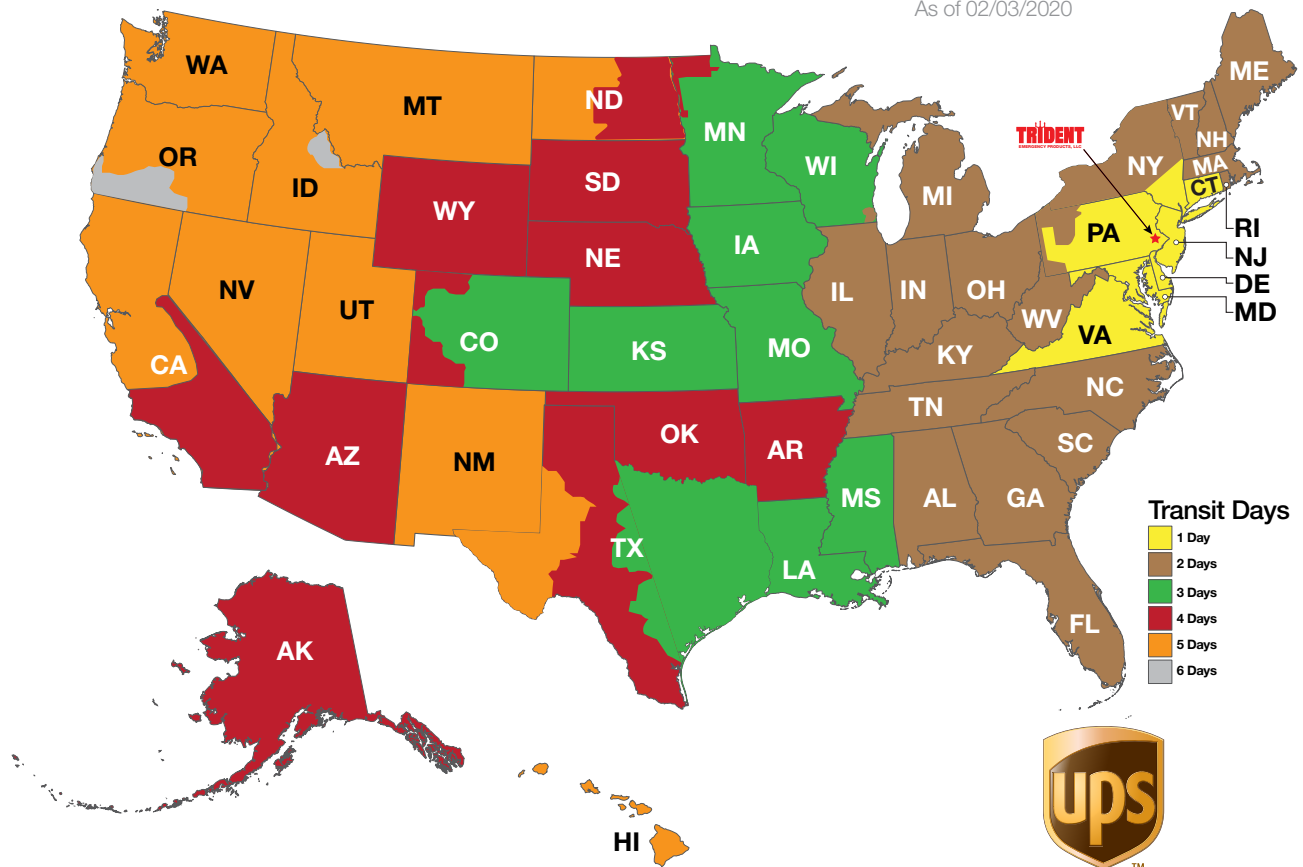
# Shipping Information

Trident Emergency Products, LLC strives to offer our customer excellent customer service by shipping orders efficiently and accurately.

- 1. Standard Shipping Method:** Our standard shipping method is UPS Ground. Expected transit times are shown on the map below. Additional UPS services such as UPS Next Day Air, UPS 2<sup>nd</sup> Day Air, UPS 3 Day Select, etc. are available and can be arranged at your request (additional charges apply).
- 2. Shipping Charges:** Charges are calculated based on the actual weight, distance traveled and type of shipping service the customer specifies (ground, next day, second day). Shipping method is determined by the size and weight of each item. Most items will be sent via UPS; items too large or too heavy will be sent by LTL Freight. Any extra charges incurred for additional services, such as customer's carrier or special handling by the carrier, must be paid by the consignee. Items backordered from an order qualifying for prepaid shipping charges will be shipped prepaid. Title and risk of loss pass to the customer upon tender of shipment to the carrier. Trident will ship via your specified carrier however we reserve the right to not ship with certain carriers due to poor past experiences or service.
- 3. Freight Shipments:** F.O.B. Shipping Point – Without regard to who pays any freight charges, the risk of loss lies with the customer. Trident Emergency Products, LLC will always ship F.O.B. Shipping Point unless stipulated otherwise by a Sales Manager or Company Executive. It is incumbent upon the purchasing party (consignee) to make certain all shipments leaving the factory or the distribution center as "F.O.B. Shipping Point" are adequately insured, and that proper inspections and procedures are performed upon delivery of goods. Consignee must file claim for storage and or damage freight with the carrier.
  - D. Payment or freight charges will fall into one of the following classifications:**
    - i. Pre-paid (PPD) – Trident pays all freight charges for orders classified as PPD.
    - ii. Pre-paid and Added (PPA) – Trident pays the freight charges upon shipment. However, the charges will be included on the invoice for the items shipped and the customer will then reimburse Trident Emergency Products.
    - iii. Collect (COL) – Trident will not pay any freight charges for the shipment. The receiving party will pay the charges when the goods are delivered.
- 4. Lost Shipments:** Trident Emergency Products' responsibility on all ground, air and freight shipments extends to the actual shipping of the order. Tracing or following up is the responsibility of the customer and the carrier. Trident will always offer its full cooperation in helping to locate lost shipments but we ask that the customer takes reasonable actions prior to requesting assistance.

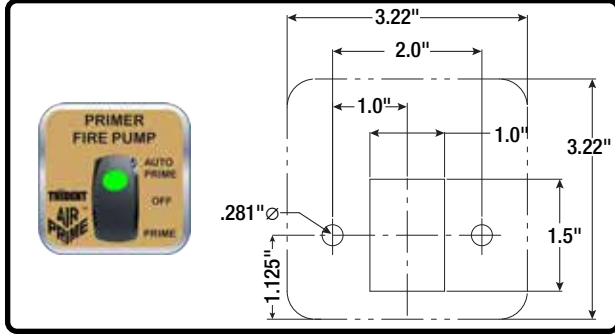
## Approximate UPS Ground Shipment Times From Hatboro PA 19040

As of 02/03/2020



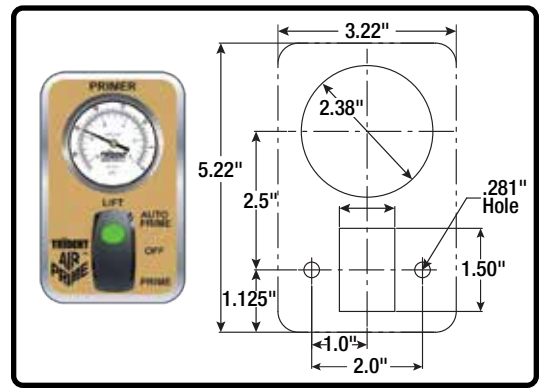
# Panel Templates

Installation Hole Pattern Dimensions



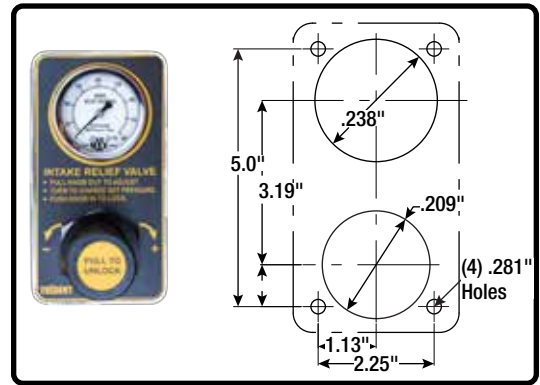
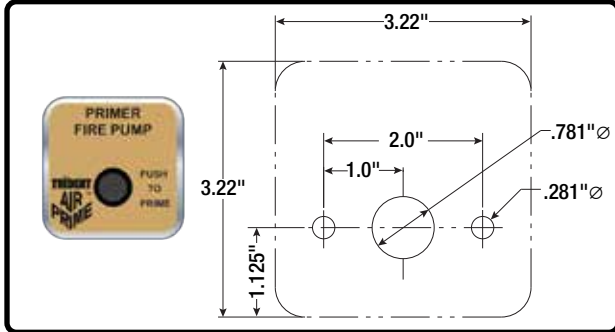
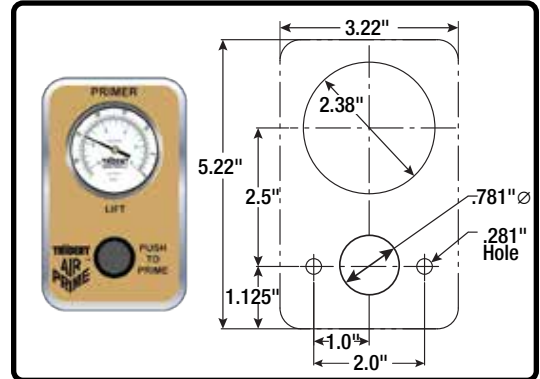
AirPrime ▶  
Auto  
With Gauge

◀ AirPrime  
Auto



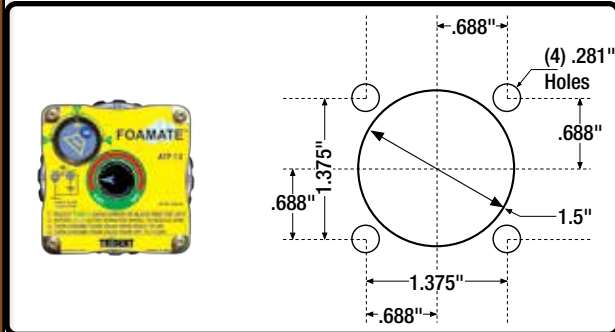
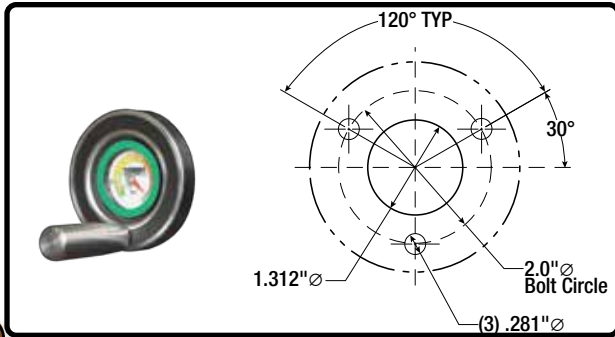
AirPrime ▶  
Manual  
With Gauge

◀ AirPrime  
Manual

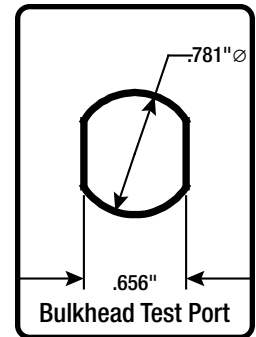
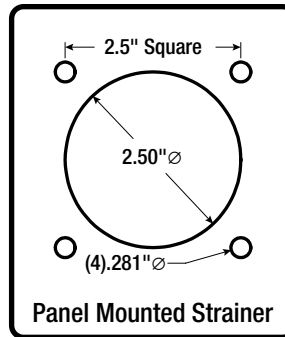
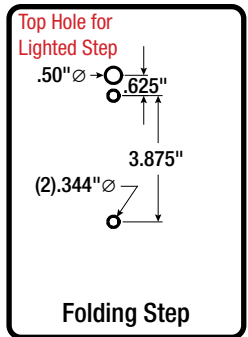
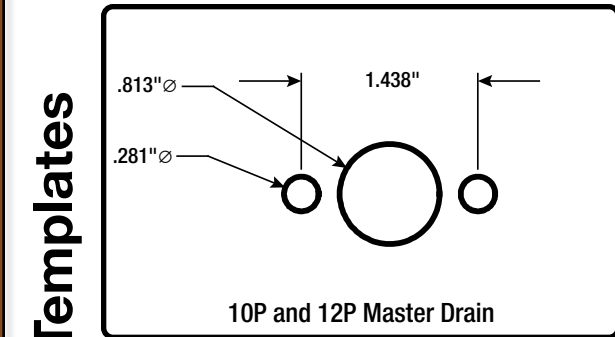
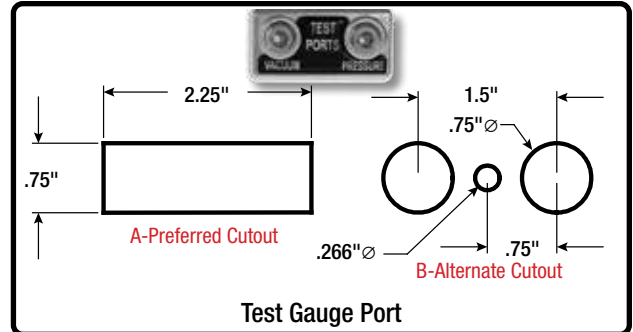


AirMax ▶  
Relief Valve

◀ Tru-Flo  
Handwheel



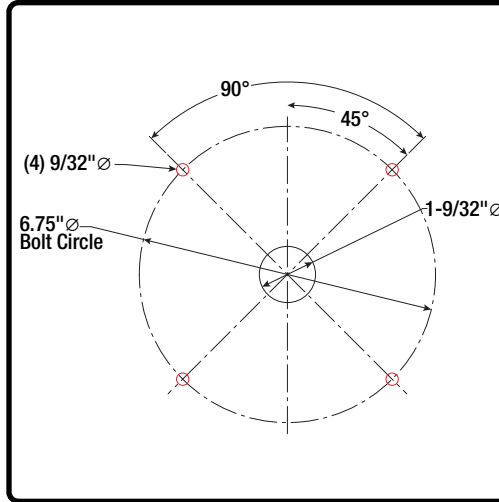
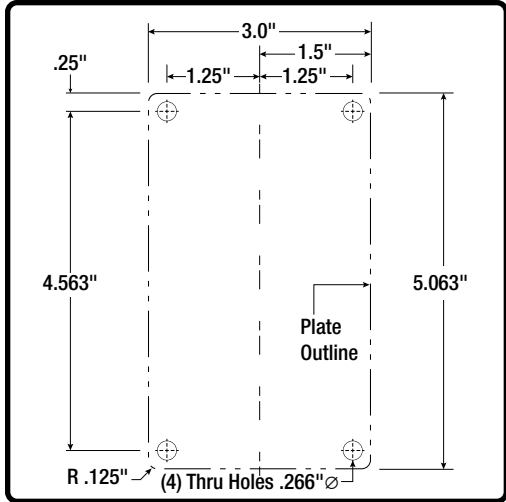
◀ Foamate  
ATP 1.0



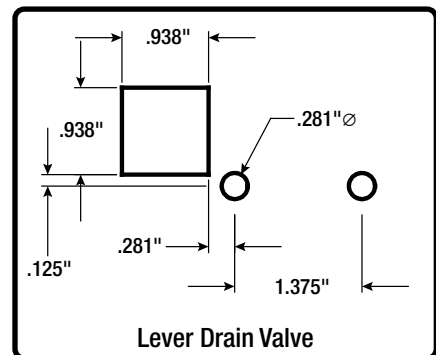
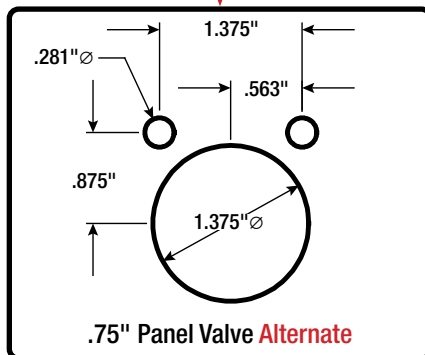
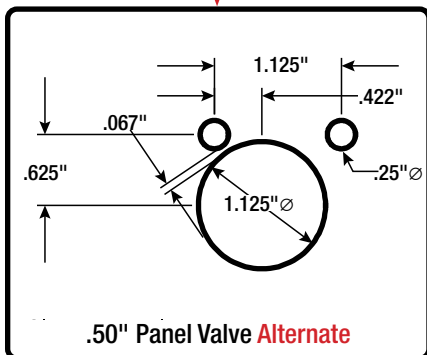
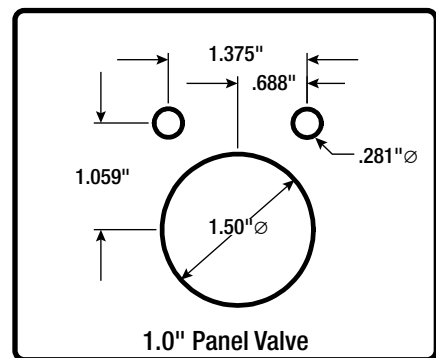
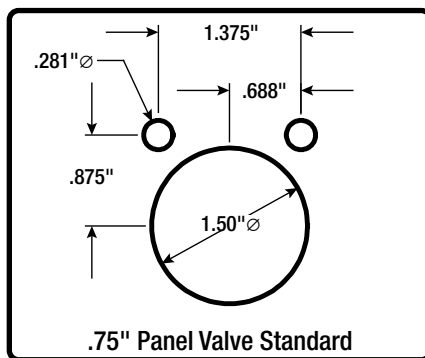
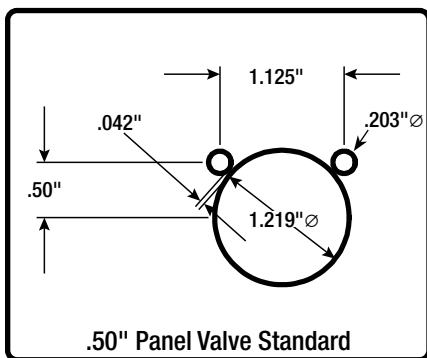
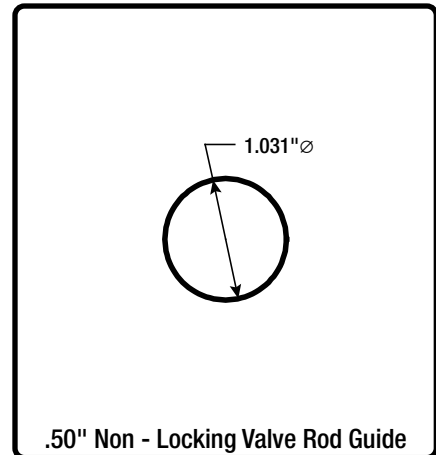
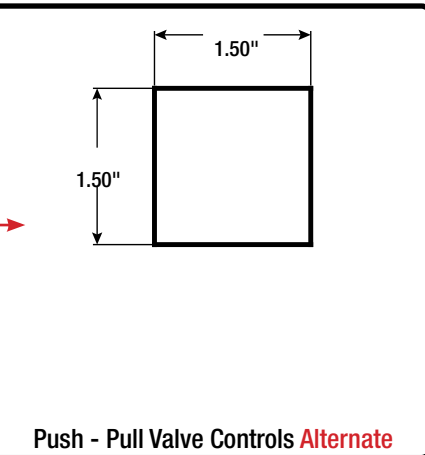
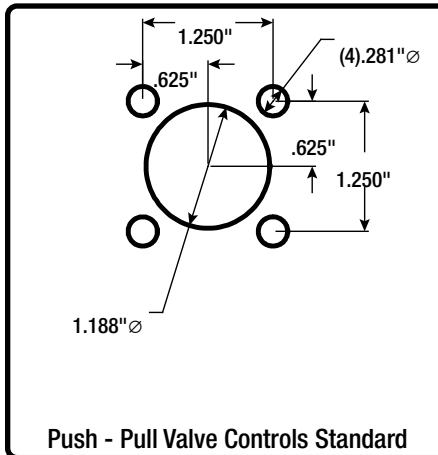
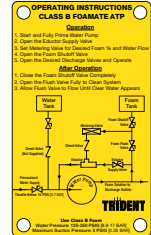
Templates

# Panel Templates

Installation Hole Pattern Dimensions



◀ Foamate ATP 2.1



Templates



# TRIDENT **World Class Components**



## Trident Emergency Products, LLC

2940 Turnpike Drive | Suite #9 | Hatboro, PA 19040 USA

(215) 293-0700 **Phone**

(215) 293-0701 **Fax**

[sales@TridentDirect.com](mailto:sales@TridentDirect.com) **Email**

[TridentDirect.com](http://TridentDirect.com)



@trident\_emergency\_products



<https://www.facebook.com/tridentemergency>



World Class  
Fire Industry  
Products

03/01/2022