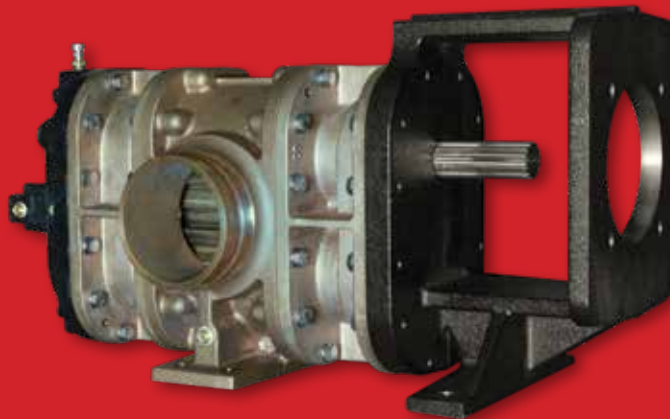


# TRIDENT

## World Class Components



# TRIDENT

## World Class Fire Apparatus Plumbing and Hardware Products

Message from, Jim Maher, President of Trident Emergency Products:



“Our company is guided by the age old, and often overlooked philosophy of uncompromised customer service. We strive to design, manufacture and sell innovative products and components that are customer friendly, easy to install, and economically priced. The goal of our entire organization is to lead the pack when it comes to apparatus plumbing and hardware items. We enjoy working with all customers – large and small – to help them save time and money while exceeding their expectations in everything we do. There is no higher priority in our company than complete customer satisfaction!”

### Several of our most popular trademarked products include:

- ◆ **AirPrime™** Our exclusive, patented fire pump primer that operates with air from the chassis air brake system. Automatic or manual operation is available with single or multi-location priming points. Perfect for use on both new installations and retrofits.
- ◆ **AirMax™** Our unique, air operated and remote controlled intake relief valve comes with a panel-mounted variable pressure control and indicator. Adjustable air regulator allows the valve to open fully at the set cracking pressure.
- ◆ **GP Series™** UL Listed rotary gear pumps for Class B Foam Systems. Seven models ranging from 30-500 GPM [115 - 1890 LPM]. Manufactured using all brass and stainless steel components. Timing gear design eliminates rotor-to-rotor contact reducing wear, allowing for run dry conditions and system testing, calibration and training with water.
- ◆ **Foamate™** User friendly around-the-pump Class A and B Foam proportioners. Available in GPM and LPM calibrations. All brass body and connections with stainless steel internal components.
- ◆ **Tru-Flo™** Slow-Close valve control is designed specifically for fire apparatus. Patented hand-wheel with dial indicator read-out that remains stationary and readable while hand-wheel is rotated from a fully open to closed valve position.
- ◆ **Equalizer™** Our patented standard design for venting fire hose caps and plugs. Grooved, vented threads allow trapped pressure to escape prior to the cap or plug being removed. A simple, innovative safety device conforming to NFPA 1901 and 1906.
- ◆ **NextStep™** Our trademarked folding steps are available with a lighted step surface or an luminescent tread, both offer a non-slip design for optimum safety - even in the dark! Corrosion-proof, light-weight, high-strength alloy and easy 2-bolt installation.



FIRE  
APPARATUS  
MANUFACTURERS'  
ASSOCIATION

a

MEMBER

### Trident Emergency Products, LLC

2940 Turnpike Drive | Suite #9 | Hatboro, PA 19040 USA

(215) 293-0700 Phone

(215) 293-0701 Fax

sales@tridentdirect.com Email

TridentDirect.com



## Factory Team



**Jim Maher**  
 President



**Rich Teske**  
 VP Sales/Administration



**Mike Sulmone**  
 VP Engineering



**Kevin Sullivan**  
 Senior Engineer



**Nick Capaldo**  
 Engineering



**Ryan Sirchio**  
 Production Manager



**Colleen Fullerton**  
 Account Manager



**Steve Tolbert**  
 Foam Products



**Mike McCracken**  
 Foam Products



**Rich Huhn**  
 Marketing & Events

**Contact Info:**

- Jim Maher** x112  
 jmaher@tridentdirect.com
- Rich Teske** x158  
 rteske@tridentdirect.com
- Mike Sulmone** x152  
 msulmone@tridentdirect.com
- Kevin Sullivan** x154  
 ksullivan@tridentdirect.com
- Nick Capaldo** x116  
 nick@tridentdirect.com
- Ryan Sirchio** x117  
 ryan@tridentdirect.com
- Colleen Fullerton** x111  
 colleen@tridentdirect.com
- Steve Tolbert** x153  
 stolbert@tridentdirect.com
- Mike McCracken** x156  
 mmccracken@tridentdirect.com
- Rich Huhn** x157  
 rhuhn@tridentdirect.com
- Joyce Harskuti** x115  
 jharskuti@tridentdirect.com  
 Customer Service Representative

## Sales Team

**Midwest Sales**  
 JRL Marketing, Inc.



**Rob Johnson**  
 (816) 668-3511  
 rjohnson226@kc.rr.com  
 States Covered: KS, NE, IA, MO, IL

**Midwest Sales**  
 JRL Marketing, Inc.



**Jerry Hayden**  
 (612) 991-6160  
 jerryhayden74@gmail.com  
 States Covered: ND, SD, MN, WI, IL


**Southwestern Sales**  
 Tri-State Equipment



**Tri-State Equipment**  
 (817) 961-0062  
 States Covered:  
 NM, TX, OK, AR, LA, MS, TN

**Canadian Sales**  
 Biernat Fire, Inc.



**Mark Biernat**   
 (866) 595-1142  
 mbiernat@ican.net  
 Area Covered: All of Canada

**Alan Saulsbury**  
 International Sales Manager



**Parker Browne**  
 Product Specialist



**Bill Graves**  
 Eastern Sales Support










**Alan Saulsbury**  
 asaulsbury@tridentdirect.com  
 (607) 423-7312












**Parker Browne**  
 parker@tridentdirect.com  
 (330) 612-3567

**Bill Graves**  
 wgraves@tridentdirect.com  
 (201) 522-4377

# Abbreviation List

Abbreviation		Meaning
AMA		Alberta Mutual Aid Threads
ASTM		American Society for Testing and Materials
ATP		Around The Pump (Foam System)
BAR		Metric Unit of Pressure
BCT		British Columbia Threads
BSP		British Straight Pipe Thread (Also known as Whitworth Thread)
CAFS		Compressed Air Foam System
CFM		Cubic Feet per Minute (Air Flow)
Class A		Class A Foam - Normal Combustable Fires
Class B		Class B Foam - Hydrocarbon Fires
Chrome		Chrome Plated Brass
CR-13		Chrome Plated Aluminum
CSA		Canadian Standards Association
EPDM		Ethylene Propylene Diene Monomer Rubber
F		Female Threads
FAMA		Fire Apparatus Manufacturers Association
FM		Female Threads
GHT		Garden Hose Thread
GPM		Gallons per Minute
Hard Coat		Hard Anodized Aluminum (Corrosion Resistant)
LDH		Large Diameter Hose
LED		Light Emitting Diode
LPM		Liters per Minute (Metric Flow)
M		Male Threads
MNT		Mount
NFPA		National Fire Protection Association
NH/NST		National Hose Thread or National Standard Thread (These are the same)
NI Plated		Nickle Plated
NPSH (Pump)		Net Positive Suction Head
NPSH (Threads)		National Pipe Straight Hose (Threads)
NPT		National Pipe Tapered Thread
NSS		Nova Scotia Standard Threads
NST/NH		National Standard Thread or National Hose Thread
P/N		Part Number
PEI		Prince Edward Island Threads
PPV		Pressure Protection Valve
PSI		Pounds per Square Inch (Pressure)
PTO		Power Take Off
QST		Province of Quebec Standard Threads
TPI		Threads Per Inch
TRV		Thermal Relief Valve
VIC		Victaulic™ Grooved Connection
WCT		Western Canada Fire Underwriters Association Threads

# Catalog Index

<b>Pipe Thread Adapters</b>	<ul style="list-style-type: none"><li>▶ Female NPT x Male Hose Thread</li><li>▶ Female NPT x Female Swivel Hose Thread</li><li>▶ Male Pipe x Female Swivel Hose Thread</li><li>▶ Male NPT x Victaulic Grooved Connection</li></ul>		<b>Pages 1 - 5</b>
<b>Hose Adapters</b>	<ul style="list-style-type: none"><li>▶ Garden Hose Adapters (GHT)</li><li>▶ Hose Thread x Hose Thread</li><li>▶ Double Female Adapters</li><li>▶ Double Male Adapters</li></ul>		<b>Pages 6 - 12</b>
<b>Plugs and Caps</b>	<ul style="list-style-type: none"><li>▶ Hose Plugs</li><li>▶ Hose Caps</li><li>▶ Long Handle Hose Caps</li></ul>		<b>Pages 13 - 18</b>
<b>Elbows</b>	<ul style="list-style-type: none"><li>▶ 30°, 45°, 90°</li><li>▶ Front Suction</li><li>▶ Front Discharge</li><li>▶ Chicksan</li></ul>		<b>Pages 19 - 24</b>
<b>Control Valves</b>	<ul style="list-style-type: none"><li>▶ Valves and Drains</li><li>▶ Master Drain Valves</li><li>▶ Ball Valves</li><li>▶ AirMax Intake Relief Valves</li></ul>		<b>Pages 25 - 26</b>
<b>Hardware</b>	<ul style="list-style-type: none"><li>▶ Gauge Test Port Panel</li><li>▶ Panel Mounted Strainer</li><li>▶ Folding Steps</li></ul>		<b>Page 27</b>
<b>Valve Operators</b>	<ul style="list-style-type: none"><li>▶ Top Mount Pump Panel</li><li>▶ Side Mount Pump Panel</li><li>▶ Pump Panel Accessories</li><li>▶ Hand-Wheel Valve Controls</li></ul>		<b>Pages 28 - 30</b>
<b>Wildland</b>	<ul style="list-style-type: none"><li>▶ Aluminum Valves and Manifolds</li><li>▶ Brass Valves and Aluminum Manifolds</li><li>▶ Aluminum Fittings</li><li>▶ Foamate 1.0 ATP Foam Proportioner</li></ul>		<b>Pages 31 - 36</b>
<b>AirPrime</b>	<ul style="list-style-type: none"><li>▶ Automatic Priming System</li><li>▶ Multi Location Automatic Priming System</li><li>▶ Manual Priming System</li><li>▶ Multi Location Manual Priming System</li></ul>		<b>Pages 37 - 40</b>
<b>Foam Products</b>	<ul style="list-style-type: none"><li>▶ Foam Pumps</li><li>▶ Foam Controls and Valves</li><li>▶ Foamate ATP Proportioners</li></ul>		<b>Pages 41 - 46</b>
<b>Spare Parts, Kits and Information</b>	<ul style="list-style-type: none"><li>▶ Spare and Replacement Parts</li><li>▶ Warranty and Safety</li><li>▶ Customer Service</li><li>▶ Panel Templates</li></ul>		<b>Pages 47 - 54</b>

# NPT Pipe Adapters

Rigid Female x Male Hose



Description	Threads	Type	Finish	Part #	Price
<b>.75" Pipe Adapter - Rigid Female x Male</b>					
.75"F NPT x 0.75"M GHT, Plated Brass	NPT/GHT	Hex	Chrome	01.141.0	\$32.88
<b>1.0" Pipe Adapter - Rigid Female x Male</b>					
1.0"F NPT x 0.75"M GHT, Plated Brass	NPT/GHT	Hex	Chrome	01.127.0	\$52.16
1.0"F NPT x .75"/1.0"M NH, Plated Brass w/Strainer	NPT/NH	Hex	Chrome	01.059.0	\$55.98
<b>1.5" Pipe Adapter - Rigid Female x Male</b>					
1.5"F NPT x .75"M/1.0" NH, Plated Brass	NPT/NH	Hex	Chrome	01.072.0	\$65.20
1.5"F NPT x 1.5"M NH, Plated Brass	NPT/NH	Internal Lug	Chrome	01.042.0	\$71.79
1.5"F NPT x 1.5"M NH, Plated Brass w/Strainer	NPT/NH	Internal Lug	Chrome	01.042.5	\$104.28
<b>2" Pipe Adapter - Rigid Female x Male</b>					
2.0"F NPT x 1.5"M NH, Plated Brass	NPT/NH	Internal Lug	Chrome	01.053.0	\$79.55
2.0"F NPT x 1.5"M NH, Plated Brass w/Strainer	NPT/NH	Internal Lug	Chrome	01.053.5	\$97.99
2.0"F NPT x 1.5"M NPSH, Plated Brass	NPT/NPSH	Internal Lug	Chrome	01.053.10	\$129.08
<b>2.5" Pipe Adapter - Rigid Female x Male (NH)</b>					
2.5"F NPT x 1.5"M NH, Plated Brass	NPT/NH	Internal Lug	Chrome	01.074.0	\$86.67
2.5"F NPT x 1.5"M NH, Plated Brass w/Strainer	NPT/NH	Internal Lug	Chrome	01.074.5	\$108.27
2.5"F NPT x 2.5"M NH, Plated Brass	NPT/NH	Internal Lug	Chrome	01.001.0	\$60.32
2.5"F NPT x 2.5"M NH, Plated Brass w/Strainer	NPT/NH	Internal Lug	Chrome	01.001.6	\$78.76
2.5"F NPT x 2.5"M NH, Brass	NPT/NH	Internal Lug	Brass	01.001.1	\$52.68
2.5"F NPT x 2.5"M NH, Plated Brass, 3.63" Overall Length	NPT/NH	Internal Lug	Chrome	01.001.2	\$82.29
2.5"F NPT x 2.5"M NH, Plated Brass	NPT/NH	Hex	Chrome	01.001.7	\$78.64
2.5"F NPT x 3"M NH, Plated Brass	NPT/NH	Internal Lug	Chrome	01.075.0	\$97.47
2.5"F NPT x 3"M NH, Plated Brass w/Strainer	NPT/NH	Internal Lug	Chrome	01.075.5	\$115.91
<b>2.5" Pipe Adapter - Rigid Female x Male (Canada)</b>					
2.5" F NPT x (2.990" x 8 TPI) M, Plated Brass	NPT/AMA	Internal Lug	Chrome	01.S01.17	\$133.19
2.5" F NPT x (2.990" x 8 TPI) M, Brass	NPT/AMA	Internal Lug	Brass	01.S01.8	\$133.19
2.5"F NPT x (3.000" x 8 TPI) M, Plated Brass	NPT/BCT	Internal Lug	Chrome	01.S01.1	\$133.19
2.5"F NPT x (3.000" x 8 TPI) M, Brass	NPT/BCT	Internal Lug	Brass	01.S01.2	\$133.19
2.5"F NPT x (3.125" x 5 TPI) M, Plated Brass	NPT/CSA	Internal Lug	Chrome	01.S01.15	\$133.19
2.5"F NPT x (3.125" x 5 TPI) M, Brass	NPT/CSA	Internal Lug	Brass	01.S01.16	\$133.19
2.5"F NPT x (3.230" x 5 TPI) M, Plated Brass	NPT/NSS	Internal Lug	Chrome	01.S01.21	\$133.19
2.5"F NPT x (3.250" x 5 TPI) M, Plated Brass	NPT/PEI	Internal Lug	Chrome	01.S01.20	\$133.19
2.5"F NPT x (3.031" x 7 TPI) M, Plated Brass	NPT/QST	Internal Lug	Chrome	01.S01.23	\$133.19
2.5"F NPT x (3.250" x 6 TPI) M, Plated Brass	NPT/WCT	Internal Lug	Chrome	01.S01.22	\$133.19
<b>2.5" Pipe Adapter - Rigid Female x Male (Special Thread)</b>					
2.5"F NPT x (2.960 x 11 TPI) M, Brass	NPT/BSP	Internal Lug	Brass	01.S01.24	\$133.19
2.5"F NPT x (2.841" x 8 TPI) M, Plated Brass	NPT/Special	Internal Lug	Chrome	01.S01.25	\$133.19
2.5"F NPT x (2.990" x 7.5 TPI) M, Plated Brass	NPT/Special	Internal Lug	Chrome	01.S01.4	\$133.19
2.5"F NPT x (2.990" x 8 TPI) M, Plated Brass	NPT/Special	Internal Lug	Chrome	01.S01.17	\$133.19
2.5"F NPT x (2.990" x 8 TPI) M, Brass	NPT/Special	Internal Lug	Brass	01.S01.6	\$133.19
2.5"F NPT x (3.000" x 8 TPI) M, Plated Brass	NPT/Special	Internal Lug	Chrome	01.S01.1	\$133.19
2.5"F NPT x (3.000" x 8 TPI) M, Brass	NPT/Special	Internal Lug	Brass	01.S01.2	\$133.19
2.5"F NPT x (3.055" x 6 TPI) M, Plated Brass	NPT/Special	Internal Lug	Chrome	01.S01.29	\$133.19
2.5"F NPT x (3.062" x 6 TPI) M, Plated Brass	NPT/Special	Internal Lug	Chrome	01.S01.10	\$133.19
2.5"F NPT x (3.062" x 8 TPI) M, Plated Brass	NPT/Special	Internal Lug	Chrome	01.S01.11	\$133.19

NPT Pipe Adapters



# NPT Pipe Adapters

Rigid Female x Male

Description	Threads	Type	Finish	Part #	Price
<b>2.5" Pipe Adapter - Rigid Female x Male (Special Thread)</b>					
2.5"F NPT x (3.075" x 6 TPI) M, Plated Brass	NPT/Special	Internal Lug	Chrome	01.S01.26	\$133.19
2.5"F NPT x (3.077" x 7 TPI) M, Plated Brass	NPT/Special	Internal Lug	Chrome	01.S01.19	\$133.19
2.5"F NPT x (3.078" x 8 TPI) M, Plated Brass	NPT/Special	Internal Lug	Chrome	01.S01.12	\$133.19
2.5"F NPT x (3.095" x 6 TPI) M, Plated Brass	NPT/Special	Internal Lug	Chrome	01.S01.5	\$133.19
2.5"F NPT x (3.125" x 5 TPI) M, Plated Brass	NPT/Special	Internal Lug	Chrome	01.S01.15	\$133.19
2.5"F NPT x (3.125" x 5 TPI) M, Brass	NPT/Special	Internal Lug	Brass	01.S01.16	\$133.19
2.5"F NPT x (3.125" x 7.5 TPI) M, Plated Brass	NPT/Special	Internal Lug	Chrome	01.S01.13	\$133.19
2.5"F NPT x (3.156" x 6 TPI) M, Plated Brass	NPT/Special	Internal Lug	Chrome	01.S01.18	\$133.19
2.5"F NPT x (3.165" x 7.5 TPI) M, Plated Brass	NPT/Special	Internal Lug	Chrome	01.S01.27	\$133.19
2.5"F NPT x (3.187" x 6 TPI) M, Plated Brass	NPT/Special	Internal Lug	Chrome	01.S01.7	\$133.19
2.5"F NPT x (3.250" x 5 TPI) M, Plated Brass	NPT/Special	Internal Lug	Chrome	01.S01.20	\$133.19
<b>3.0" Pipe Adapter - Rigid Female x Male (NH)</b>					
3.0"F NPT x 2.5"M NH, Plated Brass	NPT/NH	Internal Lug	Chrome	01.038.0	\$113.80
3.0"F NPT x 2.5"M NH, Plated Brass w/Strainer	NPT/NH	Internal Lug	Chrome	01.038.5	\$132.24
3.0"F NPT x 3.0"M NH, Plated Brass	NPT/NH	Internal Lug	Chrome	01.019.0	\$115.91
3.0"F NPT x 3.0"M NH, Plated Brass w/Strainer	NPT/NH	Internal Lug	Chrome	01.019.5	\$134.35
3.0"F NPT x 3.0"M NH, Brass	NPT/NH	Internal Lug	Brass	01.019.1	\$100.10
3.0"F NPT x 3.5"M NH, Plated Brass	NPT/NH	Internal Lug	Chrome	01.064.0	\$240.24
3.0"F NPT x 3.5"M NH, Plated Brass w/Strainer	NPT/NH	Internal Lug	Chrome	01.064.5	\$266.58
3.0"F NPT x 4.0"M NH, Plated Brass	NPT/NH	Internal Lug	Chrome	01.039.0	\$242.35
3.0"F NPT x 4.0"M NH, Plated Brass w/Strainer	NPT/NH	Internal Lug	Chrome	01.039.5	\$268.69
<b>3.5" Pipe Adapter - Rigid Female x Male (NH)</b>					
3.5"F NPT x 2.5"M NH, Plated Brass	NPT/NH	Rocker Lug	Chrome	01.076.0	\$232.48
3.5"F NPT x 2.5"M NH, Plated Brass w/Strainer	NPT/NH	Rocker Lug	Chrome	01.076.5	\$250.92
3.5"F NPT x 3.5"M NH, Plated Brass	NPT/NH	Internal Lug	Chrome	01.069.0	\$239.71
3.5"F NPT x 3.5"M NH, Plated Brass w/Strainer	NPT/NH	Internal Lug	Chrome	01.069.5	\$266.06
3.5"F NPT x 4.0"M NH, Plated Brass	NPT/NH	Internal Lug	Chrome	01.052.0	\$293.19
3.5"F NPT x 4.0"M NH, Plated Brass w/Strainer	NPT/NH	Internal Lug	Chrome	01.052.5	\$319.53
<b>4.0" Pipe Adapter - Rigid Female x Male (NH)</b>					
4.0"F NPT x 3"M NH, Plated Brass	NPT/NH	Rocker Lug	Chrome	01.041.0	\$284.50
4.0"F NPT x 3"M NH, Plated Brass w/Strainer	NPT/NH	Rocker Lug	Chrome	01.041.5	\$302.94
4.0"F NPT x 3.5"M NH, Plated Brass	NPT/NH	Rocker Lug	Chrome	01.077.0	\$288.71
4.0"F NPT x 3.5"M NH, Plated Brass w/Strainer	NPT/NH	Rocker Lug	Chrome	01.077.5	\$315.05
4.0"F NPT x 4.0"M NH, Plated Brass	NPT/NH	Internal Lug	Chrome	01.024.0	\$216.01
4.0"F NPT x 4.0"M NH, Plated Brass w/Strainer	NPT/NH	Internal Lug	Chrome	01.024.5	\$242.35
4.0"F NPT x 4.5"M NH, Plated Brass	NPT/NH	Internal Lug	Chrome	01.033.0	\$316.11
4.0"F NPT x 4.5"M NH, Plated Brass w/Strainer	NPT/NH	Internal Lug	Chrome	01.033.5	\$342.45
4.0"F NPT x 5.0"M NH, Plated Brass	NPT/NH	Internal Lug	Chrome	01.025.0	\$352.99
4.0"F NPT x 5.0"M NH, Plated Brass w/Strainer	NPT/NH	Internal Lug	Chrome	01.025.5	\$379.33
4.0"F NPT x 6.0"M NH, Plated Brass	NPT/NH	Internal Lug	Chrome	01.034.0	\$379.33
4.0"F NPT x 6.0"M NH, Plated Brass w/Strainer	NPT/NH	Internal Lug	Chrome	01.034.5	\$405.67

NPT Pipe Adapters

# NPT Pipe Adapters

Rigid Female x Male Chrome Plated Brass



Description	Threads	Type	Finish	Part #	
<b>5.0" Pipe Adapter - Rigid Female x Male (NH)</b>					
5.0"F NPT x 4.0" MNH	NPT/NH	Internal Lug	Chrome	01.082.0	\$363.52
5.0"F NPT x 4.0"M NH, w/Strainer	NPT/NH	Internal Lug	Chrome	01.082.5	\$389.87
5.0"F NPT x 4.5"M NH	NPT/NH	Internal Lug	Chrome	01.035.0	\$400.40
5.0"F NPT x 4.5"M NH, w/Strainer	NPT/NH	Internal Lug	Chrome	01.035.5	\$426.74
5.0"F NPT x 5.0"M NH	NPT/NH	Internal Lug	Chrome	01.026.0	\$410.94
5.0"F NPT x 5.0"M NH, w/Strainer	NPT/NH	Internal Lug	Chrome	01.026.5	\$437.28
5.0"F NPT x 6.0"M NH	NPT/NH	Internal Lug	Chrome	01.027.0	\$426.74
5.0"F NPT x 6.0"M NH, w/Strainer	NPT/NH	Internal Lug	Chrome	01.027.5	\$453.09
<b>6.0" Pipe Adapter - Rigid Female x Male (NH)</b>					
6.0"F NPT x 4.5"M NH	NPT/NH	Internal Lug	Chrome	01.040.0	\$505.77
6.0"F NPT x 4.5"M NH, w/Strainer	NPT/NH	Internal Lug	Chrome	01.040.5	\$532.11
6.0"F NPT x 5.0"M NH	NPT/NH	Internal Lug	Chrome	01.029.0	\$547.92
6.0"F NPT x 5.0"M NH, w/Strainer	NPT/NH	Internal Lug	Chrome	01.029.5	\$574.26
6.0"F NPT x 6.0"M NH	NPT/NH	Internal Lug	Chrome	01.028.0	\$442.55
6.0"F NPT x 6.0"M NH, w/Strainer	NPT/NH	Internal Lug	Chrome	01.028.5	\$468.89

## Rigid Female x Female Swivel Hose Chromed Brass



Description	Threads	Type	Finish	Part #	Price
<b>.50" Internal Lug - Rigid Female NPT x Female Swivel (GHT)</b>					
.50"F NPT x .75"F GHT Swivel	NPT/GHT	Hex	Chrome	01.142.1	\$45.84
<b>.75" Internal Lug - Rigid Female NPT x Female Swivel (GHT)</b>					
.75"F NPT x .75"F GHT Swivel	NPT/GHT	Hex	Chrome	01.142.0	\$45.84
<b>1" Internal Lug - Rigid Female NPT x Female Swivel (NH)</b>					
1.0"F NPT Hex x .75"/1.0"F NH Swivel	NPT/NH	Rocker Lug	Chrome	01.091.0	\$121.70
<b>1.5" Internal Lug - Rigid Female NPT x Female Swivel (NH)</b>					
1.5"F NPT Rigid Internal Lug x 1.5"F NH Swivel w/Strainer	NPT/NH	Rocker Lug	Chrome	01.036.5	\$123.81
1.5"F NPT Rigid Internal Lug x (2.1" x 11 TPI) F Swivel w/Strainer	NPT/Special	Rocker Lug	Chrome	01.133.0	\$176.76
<b>2.5" Internal Lug - Rigid Female NPT x Female Swivel (NH)</b>					
2.5"F NPT Rigid Internal Lug x 2.5"F NH Swivel	NPT/NH	Rocker Lug	Chrome	01.030.5	\$162.27
<b>2.5" Internal Lug - Rigid Female NPT x Female Swivel (Canadian)</b>					
2.5"F NPT Rigid Internal Lug x (2.990" x 8 TPI) F Swivel w/Strainer	NPT/AMA	Rocker Lug	Chrome	01.S30.20	\$224.71
2.5"F NPT Rigid Internal Lug x (3.000" x 8 TPI) F Swivel w/Strainer	NPT/BCT	Rocker Lug	Chrome	01.S30.2	\$224.71
2.5"F NPT Rigid Internal Lug x (3.125" x 5 TPI) F Swivel w/Strainer	NPT/CSA	Rocker Lug	Chrome	01.S30.17	\$224.71
2.5"F NPT Rigid Internal Lug x (3.230" x 5 TPI) F Swivel w/Strainer	NPT/NSS	Rocker Lug	Chrome	01.S30.24	\$224.71
2.5"F NPT Rigid Internal Lug x (3.250" x 5 TPI) F Swivel w/Strainer	NPT/PEI	Rocker Lug	Chrome	01.S30.25	\$224.71
2.5"F NPT Rigid Internal Lug x (3.031" x 7 TPI) F Swivel w/Strainer	NPT/QST	Rocker Lug	Chrome	01.S30.26	\$224.71
2.5"F NPT Rigid Internal Lug x (3.250" x 6 TPI) F Swivel w/Strainer	NPT/WCT	Rocker Lug	Chrome	01.S30.16	\$224.71

NPT Pipe Adapters





# NPT Pipe Adapters

Rigid Female x Female Swivel Hose Chrome Plated Brass

Description	Threads	Type	Finish	Part #	Price
<b>2.5" Internal Lug Adapter - Rigid Female NPT x Female Swivel (Special)</b>					
2.5"F NPT Rigid Internal Lug x 2.5" BSP F Swivel w/Strainer	NPT/BSP	Rocker Lug	Chrome	01.S30.27	\$224.71
2.5"F NPT Rigid Internal Lug x (2.841" x 8 TPI) F Swivel w/Strainer	NPT/Special	Rocker Lug	Chrome	01.S30.28	\$224.71
2.5"F NPT Rigid Internal Lug x (2.968" x 8 TPI) F Swivel w/Strainer	NPT/Special	Rocker Lug	Chrome	01.S30.21	\$224.71
2.5"F NPT Rigid Internal Lug x (2.990" x 8 TPI) F Swivel w/Strainer	NPT/Special	Rocker Lug	Chrome	01.S30.20	\$224.71
2.5"F NPT Rigid Internal Lug x (3.000" x 8 TPI) F Swivel w/Strainer	NPT/Special	Rocker Lug	Chrome	01.S30.2	\$224.71
2.5"F NPT Rigid Internal Lug x (3.055" x 6 TPI) F Swivel w/Strainer	NPT/Special	Rocker Lug	Chrome	01.S30.7	\$224.71
2.5"F NPT Rigid Internal Lug x (3.062" x 6 TPI) F Swivel w/Strainer	NPT/Special	Rocker Lug	Chrome	01.S30.4	\$224.71
2.5"F NPT Rigid Internal Lug x (3.062" x 8 TPI) F Swivel w/Strainer	NPT/Special	Rocker Lug	Chrome	01.S30.22	\$224.71
2.5"F NPT Rigid Internal Lug x (3.077" x 7 TPI) F Swivel w/Strainer	NPT/Special	Rocker Lug	Chrome	01.S30.23	\$224.71
2.5"F NPT Rigid Internal Lug x (3.078" x 8 TPI) F Swivel w/Strainer	NPT/Special	Rocker Lug	Chrome	01.S30.6	\$224.71
2.5"F NPT Rigid Internal Lug x (3.093" x 8 TPI) F Swivel w/Strainer	NPT/Special	Rocker Lug	Chrome	01.S30.18	\$224.71
2.5"F NPT Rigid Internal Lug x (3.125" x 5 TPI) F Swivel w/Strainer	NPT/Special	Rocker Lug	Chrome	01.S30.17	\$224.71
2.5"F NPT Rigid Internal Lug x (3.125" x 7.5 TPI) F Swivel w/Strainer	NPT/Special	Rocker Lug	Chrome	01.S30.9	\$224.71
2.5"F NPT Rigid Internal Lug x (3.156" x 6 TPI) F Swivel w/Strainer	NPT/Special	Rocker Lug	Chrome	01.S30.5	\$224.71
2.5"F NPT Rigid Internal Lug x (3.175" x 6 TPI) F Swivel w/Strainer	NPT/Special	Rocker Lug	Chrome	01.S30.0	\$224.71
2.5"F NPT Rigid Internal Lug x (3.187" x 6 TPI) F Swivel w/Strainer	NPT/Special	Rocker Lug	Chrome	01.S30.19	\$224.71
2.5"F NPT Rigid Internal Lug x (3.250" x 6 TPI) F Swivel w/Strainer	NPT/Special	Rocker Lug	Chrome	01.S30.16	\$224.71
<b>3.0" Internal Lug Adapter - Rigid Female NPT x Female Swivel (NH)</b>					
3.0"F NPT Rigid Internal Lug x 2.5" NH Swivel w/Strainer	NPT/NH	Rocker Lug	Chrome	01.031.5	\$189.66
3.0"F NPT Rigid Internal Lug x 3.0" NH Swivel w/Strainer	NPT/NH	Rocker Lug	Chrome	01.032.5	\$185.45
<b>3.0" Internal Lug Adapter - Rigid Female NPT x Female Swivel (Canadian)</b>					
3.0"F NPT Rigid Internal Lug x (2.990" x 8 TPI) F Swivel w/Strainer	NPT/AMA	Rocker Lug	Chrome	01.S31.18	\$262.09
3.0"F NPT Rigid Internal Lug x (3.000" x 8 TPI) F Swivel w/Strainer	NPT/BCT	Rocker Lug	Chrome	01.S31.2	\$262.09
3.0"F NPT Rigid Internal Lug x (3.125" x 5 TPI) F Swivel w/Strainer	NPT/CSA	Rocker Lug	Chrome	01.S31.0	\$262.09
3.0"F NPT Rigid Internal Lug x (3.230" x 5 TPI) F Swivel w/Strainer	NPT/NSS	Rocker Lug	Chrome	01.S31.20	\$262.09
3.0"F NPT Rigid Internal Lug x (3.250" x 5 TPI) F Swivel w/Strainer	NPT/PEI	Rocker Lug	Chrome	01.S31.19	\$262.09
3.0"F NPT Rigid Internal Lug x (3.031" x 7 TPI) F Swivel w/Strainer	NPT/QST	Rocker Lug	Chrome	01.S31.17	\$262.09
3.0"F NPT Rigid Internal Lug x (3.250" x 6 TPI) F Swivel w/Strainer	NPT/WCT	Rocker Lug	Chrome	01.S31.21	\$262.09
<b>3.0" Internal Lug Adapter - Rigid Female NPT x Female Swivel (Special)</b>					
3.0"F NPT Rigid Internal Lug x (2.841" x 8 TPI) F Swivel w/Strainer	NPT/Special	Rocker Lug	Chrome	01.S31.22	\$262.09
3.0"F NPT Rigid Internal Lug x (3.000" x 8 TPI) F Swivel w/Strainer	NPT/Special	Rocker Lug	Chrome	01.S31.2	\$262.09
3.0"F NPT Rigid Internal Lug x (3.031" x 7 TPI) F Swivel w/Strainer	NPT/Special	Rocker Lug	Chrome	01.S31.17	\$262.09
3.0"F NPT Rigid Internal Lug x (3.125" x 5 TPI) F Swivel w/Strainer	NPT/Special	Rocker Lug	Chrome	01.S31.0	\$262.09
<b>4.0" Internal Lug Adapter - Rigid Female NPT x Female Swivel (NH)</b>					
4.0"F NPT Rigid Internal Lug x 3.5" NH Swivel	NPT/NH	Rocker Lug	Chrome	01.130.0	\$509.72
4.0"F NPT Rigid Internal Lug x 4.0" NH Swivel	NPT/NH	Rocker Lug	Chrome	01.070.0	\$437.28
4.0"F NPT Rigid Internal Lug x 4.0" NH Swivel w/Strainer	NPT/NH	Rocker Lug	Chrome	01.070.5	\$463.62
<b>5.0" Internal Lug Adapter - Rigid Female NPT x Female Swivel (NH)</b>					
5.0"F NPT Rigid Internal Lug x 4.0" NH Swivel	NPT/NH	Rocker Lug	Chrome	01.067.5	\$595.33

# NPT Pipe Adapters

Rigid Male NPT x Female Swivel Hose



Description	Threads	Type	Finish	Part #	Price
<b>Internal Lug Adapter - Male NPT x Female Swivel NH</b>					
1.5"M NPT x 1.5"F Swivel NH Strainer, Plated Brass	NPT/NH	Internal Lug	Chrome	01.155.5	\$189.66
2.5"M NPT x 2.5"F Swivel NH Strainer, Plated Brass	NPT/NH	Internal Lug	Chrome	01.154.5	\$218.64
3.0"M NPT x 2.5"F Swivel NH Strainer, Plated Brass	NPT/NH	Hex	Chrome	01.095.5	\$310.84
3.0"M NPT x 3.0"F Swivel NH Strainer, Plated Brass	NPT/NH	Internal Lug	Chrome	01.153.5	\$295.03
4.0"M NPT x 2.5"F Swivel NH Strainer, Plated Brass	NPT/NH	Rocker Lug	Chrome	01.078.5	\$460.46

## Rigid Male Pipe x Victaulic™



Description	Threads	Type	Finish	Part #	Price
<b>NPT Pipe Adapter Rigid Male x Victaulic™ Coupling</b>					
1.0"M NPT x 1.0" Victaulic, Brass	NPT/VIC	Internal Lug	Brass	09.017.6	\$21.07
1.0"M NPT x 1.5" Victaulic, Stainless Steel	NPT/VIC	Hex	Stainless	09.034.0	\$51.37
1.5"M NPT x 1.5" Victaulic, Brass	NPT/VIC	Internal Lug	Brass	09.017.0	\$32.14
2.0"M NPT x 2.0" Victaulic, Brass	NPT/VIC	Internal Lug	Brass	09.017.1	\$43.20
2.5"M NPT x 2.5" Victaulic, Brass	NPT/VIC	Internal Lug	Brass	09.017.2	\$64.28
3.0"M NPT x 3.0" Victaulic, Brass	NPT/VIC	Internal Lug	Brass	09.017.3	\$72.70
4.0"M NPT x 4.0" Victaulic, Brass	NPT/VIC	Internal Lug	Brass	09.017.4	\$80.08
5.0"M NPT x 5.0" Victaulic, Brass	NPT/VIC	Internal Lug	Brass	09.017.5	\$88.51

### Adapter Product Features

- ▶ Forged (ASTM C37700) and Cast (ASTM C85700) Brass
- ▶ Hose Threads Available as NH, Canadian or Special
- ▶ Pipe Threads NPT
- ▶ Corrosion Resistant
- ▶ Chrome Plated or Brass
- ▶ NFPA Standards Compliant
- ▶ Hydrostatically Tested to 700PSI
- ▶ Optional Strainer with Stainless Retaining Ring
- ▶ Internal Lug and Hex Configurations




# Hose Adapters

Garden Hose Thread Chrome Plated Brass

Description	Threads	Type	Finish	Part #	Price
<b>Pipe Adapters - Pipe Thread x Garden Hose Thread</b>					
.50"F NPT Hex x .75"F Swivel GHT	NPT/GHT	Hex	Chrome	01.142.1	\$45.84
.75"F NPT Hex x .75"F Swivel GHT	NPT/GHT	Hex	Chrome	01.142.0	\$45.84
.75"F NPT x .75"M GHT	NPT/GHT	Hex	Chrome	01.141.0	\$32.88
1.0"F NPT x .75"M GHT	NPT/GHT	Hex	Chrome	01.127.0	\$52.16
<b>Barbed x Female Swivel Garden Hose Thread</b>					
.75" Hose Barb x .75"F Swivel GHT	Barb/GHT	Barbed	Chrome	09.047.0	\$28.98
<b>Panel Adapter - 4-Bolt Mounting .75" Female NPT x .75" NPT</b>					
.75"F NPT x .75"M NPT - Adapter Only	NPT/NPT	4 Bolt	Chrome	09.048.0	\$27.40
.75"F NPT x .75"M GHT - Adapter w/ M GHT	NPT/GHT	4 Bolt	Chrome	01.147.0	\$60.27
.75"F NPT x .75"F GHT Swivel - Adapter w/ F Swivel GHT	NPT/GHT	4 Bolt	Chrome	01.143.0	\$73.23
<b>.75" Plug - Garden Hose Thread - GHT</b>					
.75" GHT Plug	GHT	Hex	Chrome	01.137.2	\$37.93
.75" GHT Plug with Chain	GHT	Hex	Chrome	01.137.4	\$37.93
.75" GHT Plug with Cable	GHT	Hex	Chrome	01.137.0	\$40.57
<b>.75" Cap - Garden Hose Thread - GHT</b>					
.75" GHT Cap	GHT	Hex	Chrome	01.140.2	\$53.74
.75" GHT Cap with Chain	GHT	Hex	Chrome	01.140.10	\$53.74
.75" GHT Cap with Cable	GHT	Hex	Chrome	01.140.0	\$56.37



## Rigid Female Hose x Male Hose Chrome Plated Brass

Description	Threads	Type	Finish	Part #	Price
<b>1.5" Adapter - Rigid Female x Male</b>					
1.5"F NH x .75"M GHT	NH/GHT	Rocker Lug	Chrome	01.093.0	\$68.49
1.5"F NH x .75"/1.0"M NH	NH/NH	Rocker Lug	Chrome	01.107.0	\$63.22
1.5"F NH x 1.0"M NPSH	NH/NPSH	Rocker Lug	Chrome	01.092.0	\$69.54
1.5"F NH x 1.5"M NPSH	NH/NPSH	Rocker Lug	Chrome	01.089.0	\$71.65
1.5"F NPSH x 1.5"M NH	NPSH/NH	Rocker Lug	Chrome	01.089.7	\$71.65
<b>2.0" x 1.5" Adapter - Rigid Female x Male NH</b>					
2.0"F NH x 1.5"M NH	NH/NH	Rocker Lug	Chrome	01.063.0	\$97.20
<b>2.5" x 1.5" Adapter - Rigid Female x Male NH</b>					
2.5"F NH x 1.5"M NH	NH/NH	Rocker Lug	Chrome	01.008.0	\$57.95
2.5"F NH x 1.5"M NPSH	NH/NPSH	Rocker Lug	Chrome	01.008.4	\$60.32
2.5"F NH x .75"M GHT	NH/GHT	Rocker Lug	Chrome	01.151.0	\$54.79
<b>2.5" x 2.5" Adapter - Rigid Female x Male NH</b>					
2.5"F NH x 2.5"M NH	NH/NH	Rocker Lug	Chrome	01.S18.52	\$151.73
<b>2.5" x 1.5" Adapter - Rigid Female x NPSH Male (Canadian) </b>					
(2.990" x 8 TPI) F x 1.5"M NPSH	AMA/NPSH	Rocker Lug	Chrome	01.S08.21	\$119.05
(3.000" x 8 TPI) F x 1.5"M NPSH	BCT/NPSH	Rocker Lug	Chrome	01.S08.20	\$119.05
(3.125" x 5 TPI) F x 1.5"M NPSH	CSA/NPSH	Rocker Lug	Chrome	01.S08.7	\$119.05
(3.230" x 5 TPI) F x 1.5"M NPSH	NSS/NPSH	Rocker Lug	Chrome	01.S08.11	\$119.05
(3.250" x 5 TPI) F x 1.5"M NPSH	PEI/NPSH	Rocker Lug	Chrome	01.S08.35	\$119.05
(3.031" x 7 TPI) F x 1.5"M NPSH	QST/NPSH	Rocker Lug	Chrome	01.S08.23	\$119.05
(3.250" x 6 TPI) F x 1.5"M NPSH	WCT/NPSH	Rocker Lug	Chrome	01.S08.22	\$119.05

Hose Adapters

# Hose Adapters

Rigid Female Hose x Male Special Thread Chromed Brass





Description	Threads	Type	Finish	Part #	Price
<b>2.5" x 1.5" Adapter - Rigid Female x Male (Special Thread)</b>					
(2.500" F NH x 1.5" M NPT)	NH/NPT	Rocker Lug	Chrome	01.S08.45	\$119.05
(2.841" x 8 TPI) F x 1.5" M NH	Special/NH	Rocker Lug	Chrome	01.S08.49	\$119.05
(2.841" x 8 TPI) F NPSH x 1.5" M NPSH	Special/NPSH	Rocker Lug	Chrome	01.S08.30	\$119.05
(2.953" x 7.5 TPI) F x 1.5" M NH	Special/NH	Rocker Lug	Chrome	01.S08.42	\$119.05
(2.990" x 8 TPI) F x 1.5" M NPSH	Special/NPSH	Rocker Lug	Chrome	01.S08.21	\$119.05
(3.000" x 8 TPI) F x 1.5" M NH	Special/NH	Rocker Lug	Chrome	01.S08.1	\$119.05
(3.000" x 8 TPI) F x 1.5" M NPSH	Special/NPSH	Rocker Lug	Chrome	01.S08.20	\$119.05
(3.017" x 8 TPI) F x 1.5" M NPSH	Special/NPSH	Rocker Lug	Chrome	01.S08.38	\$119.05
(3.030" x 8 TPI) F x (2.100" x 8 TPI) M	Special/Special	Rocker Lug	Chrome	01.S08.19	\$119.05
(3.030" x 8 TPI) F x 1.5" M NH	Special/NH	Rocker Lug	Chrome	01.S08.5	\$119.05
(3.031" x 7 TPI) F x 1.5" M NPSH	Special/NPSH	Rocker Lug	Chrome	01.S08.23	\$119.05
(3.062" x 6 TPI) F x 1.5" M NH	Special/NH	Rocker Lug	Chrome	01.S08.0	\$119.05
(3.062" x 6 TPI) F x 1.5" M NPSH	Special/NPSH	Rocker Lug	Chrome	01.S08.29	\$119.05
(3.062" x 8 TPI) F x 1.5" M NH	Special/NH	Rocker Lug	Chrome	01.S08.26	\$119.05
(3.062" x 8 TPI) F x 1.5" M NPSH	Special/NPSH	Rocker Lug	Chrome	01.S08.51	\$119.05
(3.065" x 8 TPI) F x 1.5" M NH	Special/NH	Rocker Lug	Chrome	01.S08.46	\$119.05
(3.068" x 6 TPI) F x 1.5" M NH	Special/NH	Rocker Lug	Chrome	01.S08.34	\$119.05
(3.077" x 7 TPI) F x 1.5" M NH	Special/NH	Rocker Lug	Chrome	01.S08.31	\$119.05
(3.078" x 6 TPI) F x 1.5" M NH	Special/NH	Rocker Lug	Chrome	01.S08.27	\$119.05
(3.078" x 8 TPI) F x 1.5" M NH	Special/NH	Rocker Lug	Chrome	01.S08.8	\$119.05
(3.093" x 6 TPI) F x 1.5" M NH	Special/NH	Rocker Lug	Chrome	01.S08.24	\$119.05
(3.109" x 6 TPI) F x 1.5" M NH	Special/NH	Rocker Lug	Chrome	01.S08.47	\$119.05
(3.125" x 5 TPI) F x 1.5" M NPSH	Special/NPSH	Rocker Lug	Chrome	01.S08.33	\$119.05
(3.125" x 6 TPI) F Double Lead x 1.5" M NH	Special/NH	Rocker Lug	Chrome	01.106.2	\$119.05
(3.125" x 6 TPI) F x 1.5" M NH	Special/NH	Rocker Lug	Chrome	01.S08.3	\$119.05
(3.125" x 7.5 TPI) F x 1.5" M NH	Special/NH	Rocker Lug	Chrome	01.S08.4	\$119.05
(3.140" x 8 TPI) F x 1.5" M NH	Special/NH	Rocker Lug	Chrome	01.S08.44	\$119.05
(3.156" x 6 TPI) F x 1.5" M NH	Special/NH	Rocker Lug	Chrome	01.S08.28	\$119.05
(3.157" x 8 TPI) F x 1.5" M NH	Special/NH	Rocker Lug	Chrome	01.S08.37	\$119.05
(3.165" x 7.5 TPI) F x 1.5" M NH	Special/NH	Rocker Lug	Chrome	01.S08.13	\$119.05
(3.175" x 6 TPI) F x 1.5" M NH	Special/NH	Rocker Lug	Chrome	01.S08.43	\$119.05
(3.180" x 8 TPI) F x 1.5" M NH	Special/NH	Rocker Lug	Chrome	01.S08.48	\$119.05
(3.187" x 6 TPI) F x 1.5" M NPSH	Special/NPSH	Rocker Lug	Chrome	01.S08.39	\$119.05
(3.187" x 6 TPI) F x (2.032" x 8 TPI) M	Special/Special	Rocker Lug	Chrome	01.S08.41	\$119.05
(3.230" x 5 TPI) F x 1.5" M NPSH	Special/NPSH	Rocker Lug	Chrome	01.S08.11	\$119.05
(3.230" x 5 TPI) F x 1.5" M NH	Special/NH	Rocker Lug	Chrome	01.S08.36	\$119.05
(3.234" x 6 TPI) F x 1.5" M NH	Special/NH	Rocker Lug	Chrome	01.S08.6	\$119.05
(3.250" x 6 TPI) F x 1.5" M NPSH	Special/NPSH	Rocker Lug	Chrome	01.S08.22	\$119.05
(3.250" x 5 TPI) F x 1.5" M NPSH	Special/NPSH	Rocker Lug	Chrome	01.S08.35	\$119.05
(3.250" x 6 TPI) F x (2.1875" x 12 TPI) M	Special/Special	Rocker Lug	Chrome	01.S08.50	\$119.05
(3.328" x 8 TPI) F x 1.5" M NH	Special/NH	Rocker Lug	Chrome	01.S08.2	\$119.05
(3.340" x 6 TPI) F x 1.5" M NH	Special/NH	Rocker Lug	Chrome	01.S08.9	\$119.05

Hose Adapters



# Hose Adapters

Rigid Female Hose x Male Hose Chromed Brass

Description	Threads	Type	Finish	Part #	Price
<b>2.5" Adapter - Rigid Female x Male (Mixed Canadian)</b> 					
2.5"F NH x (2.990" x 8 TPI) M	NH/AMA	Rocker Lug	Chrome	01.S18.25	\$154.68
(2.990" x 8 TPI) F x (3.25" x 6 TPI) M	AMA/WCT	Rocker Lug	Chrome	01.S18.60	\$154.68
2.5"F NH x (3.000" x 8 TPI) M	NH/BCT	Rocker Lug	Chrome	01.S18.2	\$154.68
2.5"F NH x (3.125" x 5 TPI) M	NH/CSA	Rocker Lug	Chrome	01.S18.11	\$154.68
(3.125" x 5 TPI) F x (3.23" x 5 TPI) M	CSA/NSS	Rocker Lug	Chrome	01.S18.62	\$154.68
(3.125" x 5 TPI) F x (3.25" x 6 TPI) M	CSA/WCT	Rocker Lug	Chrome	01.S18.61	\$154.68
2.5"F NH x (3.230" x 5 TPI) M	NH/NSS	Rocker Lug	Chrome	01.S18.16	\$154.68
2.5"F NH x (3.250" x 5 TPI) M	NH/PEI	Rocker Lug	Chrome	01.S18.21	\$154.68
2.5"F NH x (3.031" x 7 TPI) M	NH/QST	Rocker Lug	Chrome	01.S18.15	\$154.68
2.5"F NH x (3.250" x 6 TPI) M	NH/WCT	Rocker Lug	Chrome	01.S18.19	\$154.68
<b>2.5" Adapter - Male x Rigid Female (Mixed Canadian)</b> 					
(2.99" x 8 TPI) M x (2.99" x 8 TPI) F	AMA/AMA	Rocker Lug	Chrome	01.S18.40	\$154.68
(2.99" x 8 TPI) M x (3.125" x 5 TPI) F	AMA/CSA	Rocker Lug	Chrome	01.S18.39	\$154.68
(3.00" x 8 TPI) M x (3.00" x 8 TPI) F	NY CORP/BCT	Rocker Lug	Chrome	01.S18.53	\$154.68
(3.00" x 8 TPI) M x (3.125" x 5 TPI) F	BCT/CSA	Rocker Lug	Chrome	01.S18.69	\$154.68
(3.03" x 7 TPI) M x (3.125" x 5 TPI) F	QST/CSA	Rocker Lug	Chrome	01.S18.49	\$154.68
(3.125" x 5 TPI) M x 2.5"F NPSH	CSA/NPSH	Rocker Lug	Chrome	01.S18.45	\$154.68
(3.125" x 5 TPI) M x (3.00" x 8 TPI) F	CSA/BCT	Rocker Lug	Chrome	01.S18.54	\$154.68
(3.125" x 5 TPI) M x (3.125" x 5 TPI) F	CSA/CSA	Rocker Lug	Chrome	01.S18.57	\$154.68
(3.230" x 5 TPI) M x (3.031" x 7 TPI) F	NSS/QST	Rocker Lug	Chrome	01.S18.41	\$154.68
(3.250" x 5 TPI) M x 2.5" F NH	PEI/NH	Rocker Lug	Chrome	01.S18.36	\$154.68
(3.250" x 5 TPI) M x (3.250" x 5 TPI) F	PEI/PEI	Rocker Lug	Chrome	01.S18.43	\$154.68
<b>2.5" Adapter - Rigid Female x Male (Special Thread)</b>					
2.5"F NH x (2.990" x 8 TPI) M	NH/Special	Rocker Lug	Chrome	01.S18.25	\$154.68
2.5"F NH x (3.000" x 8 TPI) M	NH/Special	Rocker Lug	Chrome	01.S18.2	\$154.68
(3.000" x 8 TPI) F x (3.250" x 5 TPI) M	Special/Special	Rocker Lug	Chrome	01.S18.34	\$154.68
(3.030" x 7 TPI) F x (3.000" x 8 TPI) M	Special/Special	Rocker Lug	Chrome	01.S18.31	\$154.68
2.5"F NH x (3.125" x 5 TPI) M	NH/Special	Rocker Lug	Chrome	01.S18.11	\$154.68
(3.125" x 5 TPI) F x 2.5"M NH	Special/NH	Rocker Lug	Chrome	01.S18.51	\$154.68
(3.125" x 7 TPI) F x 2.5"M NH	Special/NH	Rocker Lug	Chrome	01.S18.38	\$154.68



# Hose Adapters

Rigid Female Hose x Male Hose Brass




Description	Threads	Type	Finish	Part #	Price
<b>2.5" Adapter - Male x Rigid Female (Special Thread)</b>					
(2.940" x 7.5 TPI) M x 2.5"F NH	Special/NH	Rocker Lug	Chrome	01.S18.48	\$154.68
(2.962" x 8 TPI) M x 2.5"F NH	Special/NH	Rocker Lug	Chrome	01.S18.70	\$154.68
(3.030" x 6 TPI) M x 2.5"F NH	Special/NH	Rocker Lug	Chrome	01.S18.63	\$154.68
(3.058" x 6 TPI) M x 2.5"F NH	Special/NH	Rocker Lug	Chrome	01.S18.68	\$154.68
(3.065" x 8 TPI) M x 2.5"F NH	Special/NH	Rocker Lug	Chrome	01.S18.58	\$154.68
(3.109" x 6 TPI) M x 2.5"F NH	Special/NH	Rocker Lug	Chrome	01.S18.65	\$154.68
(3.140" x 8 TPI) M x 2.5"F NH	Special/NH	Rocker Lug	Chrome	01.S18.55	\$154.68
(3.175" x 6 TPI) M x 2.5"F NH	Special/NH	Rocker Lug	Chrome	01.S18.44	\$154.68
(3.268" x 6 TPI) M x 2.5"F NH	Special/NH	Rocker Lug	Chrome	01.S18.50	\$154.68
(3.312" x 5 TPI) M x 2.5"F NH	Special/NH	Rocker Lug	Chrome	01.S18.67	\$154.68
<b>2.5" Adapter - Rigid Female x Male (Special Thread)</b>					
(3.125" x 6 TPI) F Double Lead x 2.5"M NH	Special/NH	Rocker Lug	Chrome	01.S19.0	\$154.68
2.5"F NH x (2.841" x 8 TPI) M	NH/Special	Rocker Lug	Chrome	01.S18.35	\$154.68
2.5"F NH x (2.950" x 8 TPI) M	NH/Special	Rocker Lug	Chrome	01.S18.28	\$154.68
2.5"F NH x (2.968" x 8 TPI) M	NH/Special	Rocker Lug	Chrome	01.S18.30	\$154.68
2.5"F NH x (2.990" x 7.5 TPI) M	NH/Special	Rocker Lug	Chrome	01.S18.22	\$154.68
2.5"F NH x (3.017" x 8 TPI) M	NH/Special	Rocker Lug	Chrome	01.S18.47	\$154.68
2.5"F NH x (3.030" x 8 TPI) M	NH/Special	Rocker Lug	Chrome	01.S18.8	\$154.68
2.5"F NH x (3.031" x 7 TPI) M	NH/Special	Rocker Lug	Chrome	01.S18.15	\$154.68
2.5"F NH x (3.055" x 6 TPI) M	NH/Special	Rocker Lug	Chrome	01.S18.42	\$154.68
2.5"F NH x (3.062" x 6 TPI) M	NH/Special	Rocker Lug	Chrome	01.S18.1	\$154.68
2.5"F NH x (3.062" x 7 TPI) M	NH/Special	Rocker Lug	Chrome	01.S18.56	\$154.68
2.5"F NH x (3.062" x 8 TPI) M	NH/Special	Rocker Lug	Chrome	01.S18.29	\$154.68
2.5"F NH x (3.073" x 6 TPI) M	NH/Special	Rocker Lug	Chrome	01.S18.20	\$154.68
2.5"F NH x (3.078" x 6 TPI) M	NH/Special	Rocker Lug	Chrome	01.S18.32	\$154.68
2.5"F NH x (3.078" x 8 TPI) M	NH/Special	Rocker Lug	Chrome	01.S18.10	\$154.68
2.5"F NH x (3.093" x 6 TPI) M	NH/Special	Rocker Lug	Chrome	01.S18.26	\$154.68
2.5"F NH x (3.093" x 8 TPI) M	NH/Special	Rocker Lug	Chrome	01.S18.3	\$154.68
2.5"F NH x (3.095" x 6 TPI) M	NH/Special	Rocker Lug	Chrome	01.S18.23	\$154.68
2.5"F NH x (3.125" x 6 TPI) M Double Lead	NH/Special	Rocker Lug	Chrome	01.S18.33	\$154.68
2.5"F NH x (3.125" x 6 TPI) M	NH/Special	Rocker Lug	Chrome	01.S18.7	\$154.68
2.5"F NH x (3.125" x 7 TPI) M	NH/Special	Rocker Lug	Chrome	01.S18.27	\$154.68
2.5"F NH x (3.125" x 7.5 TPI) M	NH/Special	Rocker Lug	Chrome	01.S18.5	\$154.68
2.5"F NH x (3.156" x 6 TPI) M	NH/Special	Rocker Lug	Chrome	01.S18.17	\$154.68
2.5"F NH x (3.157" x 8 TPI) M	NH/Special	Rocker Lug	Chrome	01.S18.46	\$154.68
2.5"F NH x (3.165" x 7.5 TPI) M	NH/Special	Rocker Lug	Chrome	01.S18.18	\$154.68
2.5"F NH x (3.180" x 8 TPI) M	NH/Special	Rocker Lug	Chrome	01.S18.66	\$154.68
2.5"F NH x (3.187" x 6 TPI) M	NH/Special	Rocker Lug	Chrome	01.S18.24	\$154.68
2.5"F NH x (3.230" x 5 TPI) M	NH/Special	Rocker Lug	Chrome	01.S18.16	\$154.68
2.5"F NH x (3.234" x 6 TPI) M	NH/Special	Rocker Lug	Brass	01.S18.0	\$154.68
2.5"F NH x (3.234" x 6 TPI) M	NH/Special	Rocker Lug	Chrome	01.S18.14	\$154.68
2.5"F NH x (3.250" x 5 TPI) M	NH/Special	Rocker Lug	Chrome	01.S18.21	\$154.68

Hose Adapters



# Hose Adapters

Rigid Female Hose x Male Hose Chromed Brass

Description	Threads	Type	Finish	Part #	Price
<b>2.5" Intake Adapter - Swivel Female (Canadian) x Male NH</b> 					
(2.990" x 8 TPI) F Swivel x 2.5"M NH w/Strainer	AMA/NH	Rocker Lug	Chrome	01.S68.27	\$198.72
(3.000" x 8 TPI) F Swivel x 2.5"M NH w/Strainer	BCT/NH	Rocker Lug	Chrome	01.S68.2	\$198.72
(3.125" x 5 TPI) F Swivel x 2.5"M NH w/Strainer	CSA/NH	Rocker Lug	Chrome	01.S68.15	\$198.72
(3.230" x 5 TPI) F Swivel x 2.5"M NH w/Strainer	NSS/NH	Rocker Lug	Chrome	01.S68.28	\$198.72
(3.250" x 5 TPI) F Swivel x 2.5"M NH w/Strainer	PEI/NH	Rocker Lug	Chrome	01.S68.32	\$198.72
(3.031" x 7 TPI) F Swivel x 2.5"M NH w/Strainer	QST/NH	Rocker Lug	Chrome	01.S68.26	\$198.72
(3.250" x 6 TPI) F Swivel x 2.5"M NH w/Strainer	WCT/NH	Rocker Lug	Chrome	01.S68.17	\$198.72
<b>2.5" Intake Adapter - Swivel Female (Special Threads) x Male NH</b>					
(2.841" x 8 TPI) F NPSH Swivel x 2.5"M NH w/Strainer	Special/NH	Rocker Lug	Chrome	01.S68.31	\$198.72
(2.940" x 7.5 TPI) F Swivel x 2.5"M NH w/Strainer	Special/NH	Rocker Lug	Chrome	01.S68.39	\$198.72
(2.950" x 7.5 TPI) F Swivel x 2.5"M NH w/Strainer	Special/NH	Rocker Lug	Chrome	01.S68.45	\$198.72
(2.950" x 8 TPI) F Swivel x 2.5"M NH w/Strainer	Special/NH	Rocker Lug	Chrome	01.S68.24	\$198.72
(2.990" x 7.5 TPI) F Swivel x 2.5"M NH w/Strainer	Special/NH	Rocker Lug	Chrome	01.S68.44	\$198.72
(2.990" x 8 TPI) F Swivel x 2.5"M NH w/Strainer	Special/NH	Rocker Lug	Chrome	01.S68.27	\$198.72
(3.000" x 8 TPI) F Swivel x 2.5"M NH w/Strainer	Special/NH	Rocker Lug	Chrome	01.S68.2	\$198.72
(3.030" x 8 TPI) F Swivel x 2.5"M NH w/Strainer	Special/NH	Rocker Lug	Chrome	01.S68.13	\$198.72
(3.031" x 7 TPI) F Swivel x 2.5"M NH w/Strainer	Special/NH	Rocker Lug	Chrome	01.S68.26	\$198.72
(3.055" x 6 TPI) F Swivel x 2.5"M NH w/Strainer	Special/NH	Rocker Lug	Chrome	01.S68.35	\$198.72
(3.058" x 6 TPI) F Swivel x 2.5"M NH w/Strainer	Special/NH	Rocker Lug	Chrome	01.S68.55	\$198.72
(3.062" x 6 TPI) F Swivel x 2.5"M NH w/Strainer	Special/NH	Rocker Lug	Chrome	01.S68.4	\$198.72
(3.062" x 7 TPI) F Swivel x 2.5"M NH w/Strainer	Special/NH	Rocker Lug	Chrome	01.S68.46	\$198.72
(3.062" x 8 TPI) F Swivel x 2.5"M NH w/Strainer	Special/NH	Rocker Lug	Chrome	01.S68.42	\$198.72
(3.065" x 8 TPI) F Swivel x 2.5"M NH w/Strainer	Special/NH	Rocker Lug	Chrome	01.S68.48	\$198.72
(3.068" x 6 TPI) F Swivel x 2.5"M NH w/Strainer	Special/NH	Rocker Lug	Chrome	01.S68.43	\$198.72
(3.095" x 6 TPI) F Swivel x 2.5"M NH w/Strainer	Special/NH	Rocker Lug	Chrome	01.S68.36	\$198.72
(3.109" x 6 TPI) F Swivel x 2.5"M NH w/Strainer	Special/NH	Rocker Lug	Chrome	01.S68.52	\$198.72
(3.125" x 6 TPI) Double Lead F Swivel x 2.5"M NH w/Strainer	Special/NH	Rocker Lug	Chrome	01.S68.50	\$198.72
(3.140" x 6 TPI) F Swivel x 2.5"M NH w/Strainer	Special/NH	Rocker Lug	Chrome	01.S68.33	\$198.72
(3.140" x 8 TPI) F Swivel x 2.5"M NH w/Strainer	Special/NH	Rocker Lug	Chrome	01.S68.51	\$198.72
(3.157" x 8 TPI) F Swivel x 2.5"M NH w/Strainer	Special/NH	Rocker Lug	Chrome	01.S68.38	\$198.72
(3.172" x 6 TPI) F Swivel x 2.5"M NH w/Strainer	Special/NH	Rocker Lug	Chrome	01.S68.47	\$198.72
(3.175" x 6 TPI) F Swivel x 2.5"M NH w/Strainer	Special/NH	Rocker Lug	Chrome	01.S68.37	\$198.72
(3.187" x 8 TPI) F Swivel x 2.5"M NH w/Strainer	Special/NH	Rocker Lug	Chrome	01.S68.53	\$198.72
(3.268" x 6 TPI) F Swivel x 2.5"M NH w/Strainer	Special/NH	Rocker Lug	Chrome	01.S68.41	\$198.72
(3.312" x 8 TPI) F Swivel x 2.5"M NH w/Strainer	Special/NH	Rocker Lug	Chrome	01.S68.40	\$198.72



Hose Adapters

# Hose Adapters

Rigid Female Hose x Male Hose Chromed Brass



Description	Threads	Type	Finish	Part #	Price
<b>2.5" Intake Adapter - Swivel Female (Special Threads) x Male NH</b>					
(3.073" x 6 TPI) F Swivel x 2.5"M NH	Special/NH	Rocker Lug	Chrome	01.S68.18	\$198.72
(3.078" x 6 TPI) F Swivel x 2.5"M NH	Special/NH	Rocker Lug	Chrome	01.S68.1	\$198.72
(3.078" x 8 TPI) F Swivel x 2.5"M NH	Special/NH	Rocker Lug	Chrome	01.S68.6	\$198.72
(3.093" x 6 TPI) F Swivel x 2.5"M NH	Special/NH	Rocker Lug	Chrome	01.S68.21	\$198.72
(3.125" x 5 TPI) F Swivel x 2.5"M NH	Special/NH	Rocker Lug	Chrome	01.S68.15	\$198.72
(3.125" x 6 TPI) F Swivel x 2.5"M NH	Special/NH	Rocker Lug	Chrome	01.S68.11	\$198.72
(3.125" x 6 TPI) Double Lead F Swivel x 2.5"M NH	Special/NH	Rocker Lug	Chrome	01.106.1	\$260.48
(3.125" x 7.5 TPI) F Swivel x 2.5"M NH	Special/NH	Rocker Lug	Chrome	01.S68.9	\$198.72
(3.156" x 6 TPI) F Swivel x 2.5"M NH	Special/NH	Rocker Lug	Chrome	01.S68.5	\$198.72
(3.165" x 7.5 TPI) F Swivel x 2.5"M NH	Special/NH	Rocker Lug	Chrome	01.S68.16	\$198.72
(3.187" x 6 TPI) F Swivel x 2.5"M NH	Special/NH	Rocker Lug	Chrome	01.S68.20	\$198.72
(3.218" x 6 TPI) F Swivel x 2.5"M NH	Special/NH	Rocker Lug	Chrome	01.S68.23	\$198.72
(3.230" x 5 TPI) F Swivel x 2.5"M NH	Special/NH	Rocker Lug	Chrome	01.S68.28	\$198.72
(3.234" x 6 TPI) F Swivel x 2.5"M NH	Special/NH	Rocker Lug	Chrome	01.S68.0	\$198.72
(3.250" x 5 TPI) F Swivel x 2.5"M NH	Special/NH	Rocker Lug	Chrome	01.S68.19	\$198.72
(3.250" x 6 TPI) F Swivel x 2.5"M NH	Special/NH	Rocker Lug	Chrome	01.S68.17	\$198.72
(3.000" x 8 TPI) F Swivel x 3.0"M NH	Special/NH	Rocker Lug	Chrome	01.S68.3	\$261.82
<b>3.0" Adapter - Rigid Female x Male NH</b>					
3.0"F NH Rigid x 2.5"M NH	NH/NH	Rocker Lug	Chrome	01.017.0	\$99.05
<b>4.0" Adapter - Rigid Female x Male NH</b>					
4.0"F NH Rigid x 2.5"M NH	NH/NH	Rocker Lug	Chrome	01.065.0	\$307.68
4.0"F NH Rigid x 3.0"M NH	NH/NH	Rocker Lug	Chrome	01.182.0	\$342.45
4.0"F NH Rigid x 3.5"M NH	NH/NH	Rocker Lug	Chrome	01.079.0	\$337.18
<b>5.0" Adapter - Rigid Female x Male NH</b>					
5.0"F NH Rigid x 4.0"M NH	NH/NH	Rocker Lug	Chrome	01.051.0	\$374.06
5.0"F NH Rigid x 4.5"M NH	NH/NH	Rocker Lug	Chrome	01.099.0	\$374.06
<b>6.0" Adapter - Rigid Female x Male NH</b>					
6.0"F NH Rigid x 5.0"M NH	NH/NH	Rocker Lug	Chrome	01.124.0	\$607.98
6.0"F NH Rigid x 4.5"M NH	NH/NH	Rocker Lug	Chrome	01.125.0	\$607.98
<b>Swivel Female x Swivel Female NH</b>					
1.5"F NH x 1.5F NH	NH/NH	Rocker Lug	Chrome	01.060.0	\$100.84
2.5"F NH x 2.5"F NH	NH/NH	Rocker Lug	Chrome	01.012.0	\$162.27
4.0"F NH x 2.5"F NH	NH/NH	Rocker Lug	Chrome	01.066.0	\$363.52
4.0"F NH x 4.0"F NH	NH/NH	Rocker Lug	Chrome	01.145.0	\$779.73

Hose Adapters







# Hose Adapters

## Double Female Swivel Hose Adapters Chromed Brass

Description	Threads	Type	Finish	Part #	Price
<b>Swivel Female x Swivel Female (Canadian)</b>					
(2.841" x 8 TPI) F x (3.031" x 7 TPI) F	NPSH/QST	Rocker Lug	Chrome	01.S12.7	\$209.46
(2.990" x 8 TPI) F x Groove	AMA/Groove	Rocker Lug	Chrome	01.S12.14	\$155.75
(2.990" x 8 TPI) F x 2.5" F NH	AMA/NH	Rocker Lug	Chrome	01.S12.8	\$209.46
(3.000" x 8 TPI) F x 2.5" F Swivel NPSH	BCT/NPSH	Rocker Lug	Chrome	01.S12.16	\$209.46
(3.000" x 8 TPI) F x (3.000" x 8 TPI) F	BCT/BCT	Rocker Lug	Chrome	01.S12.5	\$209.46
(3.031" x 7 TPI) F x (3.031" x 7 TPI) F	QST/QST	Rocker Lug	Chrome	01.S12.13	\$209.46
(3.125" x 5 TPI) F x (3.125" x 5 TPI) F	CSA/CSA	Rocker Lug	Chrome	01.S12.0	\$209.46
(3.125" x 5 TPI) F x (3.125" x 5 TPI) F w/Strainer	CSA/CSA	Rocker Lug	Chrome	01.S12.1	\$209.46
(3.230" x 5 TPI) F x (3.230" x 5 TPI) F	NSS/NSS	Rocker Lug	Chrome	01.S12.10	\$209.46
(3.250" x 5 TPI) F x (3.250" x 5 TPI) F	PEI/PEI	Rocker Lug	Chrome	01.S12.11	\$209.58
(3.250" x 6 TPI) F x (3.250" x 6 TPI) F	WCT/WCT	Rocker Lug	Chrome	01.S12.12	\$209.46
(3.250" x 6 TPI) F WCT x 2.5" F NH	WCT/NH	Rocker Lug	Chrome	01.S12.9	\$209.46
<b>Swivel Female x Swivel Female (Special Thread)</b>					
(2.841" x 8 TPI) NPSH x (2.841" x 8 TPI) NPSH	NPSH/NPSH	Rocker Lug	Chrome	01.S12.6	\$209.46
(2.990" x 8 TPI) F x 2.5" F NH	Special/NH	Rocker Lug	Chrome	01.S12.8	\$209.46
(3.000" x 8 TPI) F x (3.000" x 8 TPI) F	Special	Rocker Lug	Chrome	01.S12.5	\$209.46
(3.031" x 6 TPI) F x 2.5" F NH	Special/NH	Rocker Lug	Chrome	01.S12.3	\$209.46
(3.031" x 7 TPI) F x 2.5" F NH	Special/NH	Rocker Lug	Chrome	01.S12.7	\$209.46
(3.062" x 6 TPI) F x (3.062" x 6 TPI) F	Special	Rocker Lug	Chrome	01.S12.2	\$209.46
(3.093" x 6 TPI) F x 2.5" F NH	Special/NH	Rocker Lug	Chrome	01.S12.20	\$209.46
(3.095" x 6 TPI) F x 2.5" F NH	Special/NH	Rocker Lug	Chrome	01.S12.15	\$209.46
(3.125" x 5 TPI) F x 2.5" F NH	Special/NH	Rocker Lug	Chrome	01.S12.21	\$209.46
(3.125" x 5 TPI) F x (3.125" x 5 TPI) F	Special	Rocker Lug	Chrome	01.S12.0	\$209.46
(3.125" x 5 TPI) F x (3.125" x 5 TPI) F, w/Strainer	Special	Rocker Lug	Chrome	01.S12.1	\$209.46
(3.230" x 5 TPI) F x 2.5" F NH	Special/NH	Rocker Lug	Chrome	01.S12.22	\$209.46
(3.250" x 6 TPI) F x 2.5" F NH	Special/NH	Rocker Lug	Chrome	01.S12.9	\$209.46



## Double Male Hose Adapters

Description	Threads	Type	Finish	Part #	Price
<b>Male x Male Hose Adapters</b>					
.75M NH x .75" M NH	GHT/GHT	Hex	Chrome	01.162.0	\$22.13
1.0" M NPT x 1.0" M NH	NH/NPT	Hex	Chrome	01.164.1	\$25.95
1.0" M NPT x 1.0" M NPSH	NPT/NPSH	Hex	Brass	01.164.11	\$25.95
1.5" M NH x 1.5" M NH	NH/NH	Rocker Lug	Chrome	01.062.0	\$64.41
1.5" M NH x 1.5" M NPT	NH/NPT	Hex	Chrome	01.073.0	\$59.01
2.5" M NH x 2.0" M NPT	NH/NPT	Hex	Chrome	01.136.0	\$73.76
2.5" M NH x 2.5" M NH	NH/NH	Rocker Lug	Chrome	01.011.0	\$83.50
2.5" M NH x 2.5" M NPT	NH/NPT	Hex	Chrome	01.011.10	\$104.58
3.0" M NH x 3.0" M NH	NH/NH	Rocker Lug	Chrome	01.085.0	\$115.91
3.0" M NH x 3.0" M NPT	NH/NPT	Internal Lug	Chrome	01.090.0	\$162.00
4.0" M NH x 4.0" M NPT	NH/NPT	Internal Lug	Chrome	01.159.0	\$216.01

Hose Adapters

# Hose Plugs

Various Sizes and Threads



Description	Threads	Type	Finish	Part #	Price
<b>.75" Vented Plug - Garden Hose Thread</b>					
.75" GHT Vented Plug	GHT	Hex	Chrome	01.137.2	\$37.93
.75" GHT Vented Plug with Chain	GHT	Hex	Chrome	01.137.4	\$37.93
.75" GHT Vented Plug with Cable	GHT	Hex	Chrome	01.137.0	\$40.57
<b>.75"/1.0" Vented Plug - NH</b>					
.75/1.0" NH Vented Plug	NH	Rocker Lug	Chrome	01.103.2	\$44.25
.75/1.0" NH Vented Plug with Chain	NH	Rocker Lug	Chrome	01.103.0	\$44.25
.75/1.0" NH Vented Plug with Cable	NH	Rocker Lug	Chrome	01.103.10	\$44.25
<b>1.5" Vented Plug - NH</b>					
1.5" NH Vented Plug	NH	Rocker Lug	Chrome	01.048.2	\$63.09
1.5" NH Vented Plug with Chain	NH	Rocker Lug	Chrome	01.048.0	\$63.09
1.5" NH Vented Plug with Cable	NH	Rocker Lug	Chrome	01.048.10	\$65.73
<b>1.5" Vented Plug - with Chain (Special Threads)</b>					
(2.100" x 11 TPI) Plug with Chain	Pacific Coast	Rocker Lug	Chrome	01.132.0	\$98.52
<b>2.5" Vented Plug - NH</b>					
2.5" NH Vented Plug	NH	Rocker Lug	Chrome	01.007.2	\$71.39
2.5" NH Vented Plug with Chain	NH	Rocker Lug	Chrome	01.007.0	\$71.39
2.5" NH Vented Plug with Cable	NH	Rocker Lug	Chrome	01.007.10	\$74.02
<b>2.5" Vented Plug - with Chain (Canadian)</b>					
(2.990" x 8 TPI) Vented Plug with Chain	AMA	Rocker Lug	Chrome	01.S07.34	\$115.47
(3.000" x 8 TPI) Vented Plug with Chain	BCT	Rocker Lug	Chrome	01.S07.6	\$115.47
(3.031" x 7 TPI) Vented Plug with Chain	QST	Rocker Lug	Chrome	01.S07.22	\$115.47
(3.125" x 5 TPI) Vented Plug with Chain	CSA	Rocker Lug	Chrome	01.S07.18	\$115.47
(3.230" x 5 TPI) Vented Plug with Chain	NSS	Rocker Lug	Chrome	01.S07.25	\$115.47
(3.250" x 5 TPI) Vented Plug with Chain	PEI	Rocker Lug	Chrome	01.S07.32	\$115.47
(3.250" x 6 TPI) Vented Plug with Chain	WCT	Rocker Lug	Chrome	01.S07.31	\$115.47
<b>2.5" Vented Plug - with Chain (Special Threads)</b>					
(2.841" x 8 TPI) Vented Plug with Chain NPSH	Special	Rocker Lug	Chrome	01.S07.55	\$115.47
(2.843" x 8 TPI) Vented Plug with Chain	Special	Rocker Lug	Chrome	01.S07.11	\$115.47
(2.850" x 8 TPI) Vented Plug with Chain	Special	Rocker Lug	Chrome	01.S07.48	\$115.47
(2.855" x 8 TPI) Vented Plug with Chain	Special	Rocker Lug	Chrome	01.S07.49	\$115.47
(2.935" x 8 TPI) Vented Plug with Chain	Special	Rocker Lug	Chrome	01.S07.47	\$115.47
(2.940" x 7.5 TPI) Vented Plug with Chain	Special	Rocker Lug	Chrome	01.S07.28	\$115.47
(2.950" x 8 TPI) Vented Plug with Chain	Special	Rocker Lug	Chrome	01.S07.36	\$115.47
(2.953" x 7.5 TPI) Vented Plug with Chain	Special	Rocker Lug	Chrome	01.S07.56	\$115.47
(2.960" x 11 TPI) Vented Plug with Chain	Special	Rocker Lug	Brass	01.S07.42	\$104.60
(2.962" x 8 TPI) Vented Plug with Chain	Special	Rocker Lug	Chrome	01.S07.51	\$115.47
(2.968" x 8 TPI) Vented Plug with Chain	Special	Rocker Lug	Chrome	01.S07.37	\$115.47
(2.990" x 7.5 TPI) Vented Plug with Chain	Special	Rocker Lug	Chrome	01.S07.54	\$115.47
(2.990" x 8 TPI) Vented Plug with Chain	Special	Rocker Lug	Chrome	01.S07.34	\$115.47
(3.000" x 8 TPI) Vented Plug with Chain	Special	Rocker Lug	Chrome	01.S07.6	\$115.47
(3.028" x 6 TPI) Vented Plug with Chain	Special	Rocker Lug	Chrome	01.S07.57	\$115.47
(3.030" x 8 TPI) Vented Plug with Chain	Special	Rocker Lug	Chrome	01.S07.16	\$115.47
(3.031" x 7 TPI) Vented Plug with Chain	Special	Rocker Lug	Chrome	01.S07.22	\$115.47
(3.055" x 6 TPI) Vented Plug with Chain	Special	Rocker Lug	Chrome	01.S07.9	\$115.47
(3.058" x 6 TPI) Vented Plug with Chain	Special	Rocker Lug	Chrome	01.S07.52	\$115.47

Hose Plugs



# Hose Plugs

Various Sizes and Threads Chromed Brass

Description	Threads	Type	Finish	Part #	Price
<b>2.5" Vented Plug - with Chain (Special Threads)</b>					
(3.060" x 7 TPI) Vented Plug with Chain	Special	Rocker Lug	Chrome	01.S07.17	\$115.47
(3.062" x 6 TPI) Vented Plug with Chain	Special	Rocker Lug	Chrome	01.S07.5	\$115.47
(3.062" x 8 TPI) Vented Plug with Chain	Special	Rocker Lug	Chrome	01.S07.38	\$115.47
(3.062" x 7 TPI) Vented Plug with Chain	Special	Rocker Lug	Chrome	01.S07.20	\$115.47
(3.065" x 8 TPI) Vented Plug with Chain	Special	Rocker Lug	Chrome	01.S07.59	\$115.47
(3.068" x 6 TPI) Vented Plug with Chain	Special	Rocker Lug	Chrome	01.S07.53	\$115.47
(3.073" x 6 TPI) Vented Plug with Chain	Special	Rocker Lug	Chrome	01.S07.12	\$115.47
(3.077" x 7 TPI) Vented Plug with Chain	Special	Rocker Lug	Chrome	01.S07.39	\$115.47
(3.078" x 8 TPI) Vented Plug with Chain	Special	Rocker Lug	Chrome	01.S07.3	\$115.47
(3.078" x 6 TPI) Vented Plug with Chain	Special	Rocker Lug	Chrome	01.S07.2	\$115.47
(3.093" x 6 TPI) Vented Plug with Chain	Special	Rocker Lug	Chrome	01.S07.35	\$115.47
(3.093" x 8 TPI) Vented Plug with Chain	Special	Rocker Lug	Chrome	01.S07.10	\$115.47
(3.095" x 6 TPI) Vented Plug with Chain	Special	Rocker Lug	Chrome	01.S07.0	\$115.47
(3.109 x 6 TPI) Vented Plug with Chain	Special	Rocker Lug	Chrome	01.S07.62	\$115.47
(3.125" x 5 TPI) Vented Plug with Chain	Special	Rocker Lug	Chrome	01.S07.18	\$115.47
(3.125" x 7.5 TPI) Vented Plug with Chain	Special	Rocker Lug	Chrome	01.S07.4	\$115.47
(3.125" x 6 TPI) Vented Plug with Chain	Special	Rocker Lug	Chrome	01.S07.14	\$115.47
(3.125" x 6 TPI) Double Lead Vented Plug with Chain	Special	Rocker Lug	Chrome	01.S07.61	\$115.47
(3.125" x 7 TPI) Vented Plug with Chain	Special	Rocker Lug	Chrome	01.S07.23	\$115.47
(3.140" x 6 TPI) Vented Plug with Chain	Special	Rocker Lug	Chrome	01.S07.43	\$115.47
(3.156" x 6 TPI) Vented Plug with Chain	Special	Rocker Lug	Chrome	01.S07.8	\$115.47
(3.157" x 8 TPI) Vented Plug with Chain	Special	Rocker Lug	Chrome	01.S07.46	\$115.47
(3.165" x 7.5 TPI) Vented Plug with Chain	Special	Rocker Lug	Chrome	01.S07.30	\$115.47
(3.172" x 6 TPI) Vented Plug with Chain	Special	Rocker Lug	Chrome	01.S07.58	\$115.47
(3.175" x 6 TPI) Vented Plug with Chain	Special	Rocker Lug	Chrome	01.S07.29	\$115.47
(3.187" x 6 TPI) Vented Plug with Chain	Special	Rocker Lug	Chrome	01.S07.33	\$115.47
(3.187" x 8 TPI) Vented Plug with Chain	Special	Rocker Lug	Chrome	01.S07.63	\$115.47
(3.230" x 5 TPI) Vented Plug with Chain	Special	Rocker Lug	Chrome	01.S07.25	\$115.47
(3.231" x 6 TPI) Vented Plug with Chain	Special	Rocker Lug	Chrome	01.S07.45	\$115.47
(3.234" x 5 TPI) Vented Plug with Chain	Special	Rocker Lug	Chrome	01.S07.41	\$115.47
(3.234" x 6 TPI) Vented Plug with Chain	Special	Rocker Lug	Chrome	01.S07.7	\$115.47
(3.250" x 5 TPI) Vented Plug with Chain	Special	Rocker Lug	Chrome	01.S07.32	\$115.47
(3.250" x 6 TPI) Vented Plug with Chain	Special	Rocker Lug	Chrome	01.S07.31	\$115.47
(3.268" x 6 TPI) Vented Plug with Chain	Special	Rocker Lug	Chrome	01.S07.50	\$115.47
(3.312" x 8 TPI) Vented Plug with Chain	Special	Rocker Lug	Chrome	01.S07.40	\$115.47
(3.3125" x 8 TPI) Vented Plug with Chain	Special	Rocker Lug	Chrome	01.S07.44	\$115.47
(3.340" x 6 TPI) Vented Plug with Chain	Special	Rocker Lug	Chrome	01.S07.21	\$115.47
<b>3.0" Vented Plug - NH</b>					
3.0" NH-Vented Plug	NH	Rocker Lug	Chrome	01.022.2	\$151.73
3.0" NH-Vented Plug with Chain	NH	Rocker Lug	Chrome	01.022.0	\$151.73
3.0" NH-Vented Vented Plug with Cable	NH	Rocker Lug	Chrome	01.022.10	\$154.37
<b>4.0" Vented Plug - NH</b>					
4.0" NH-Vented Plug	NH	Rocker Lug	Chrome	01.045.2	\$306.62
4.0" NH-Vented Plug with Chain	NH	Rocker Lug	Chrome	01.045.0	\$306.62
4.0" NH-Vented Vented Plug with Cable	NH	Rocker Lug	Chrome	01.045.10	\$309.26

Hose Plugs

# Hose Caps

Various Threads Chromed Brass



Description	Threads	Type	Finish	Part #	Price
<b>.75" Vented Cap - Garden Hose Thread</b>					
.75" GHT Vented Cap	GHT	Hex	Chrome	01.140.2	\$53.74
.75" GHT Vented Cap with Chain	GHT	Hex	Chrome	01.140.10	\$53.74
.75" GHT Vented Cap with Cable	GHT	Hex	Chrome	01.140.0	\$56.37
<b>.75"/1.0" Vented Cap - NH</b>					
.75"/1.0" NH Vented Cap	NH	Rocker Lug	Chrome	01.081.2	\$42.15
.75"/1.0" NH Vented Cap with Chain	NH	Rocker Lug	Chrome	01.081.0	\$42.15
.75"/1.0" NH Vented Cap with Cable	NH	Rocker Lug	Chrome	01.081.10	\$44.78
<b>1.0" Vented Cap - NPSH</b>					
1.0" NPSH Vented Cap	NPSH	Rocker Lug	Chrome	01.094.2	\$77.29
1.0" NPSH Vented Cap with Chain	NPSH	Rocker Lug	Chrome	01.094.0	\$77.29
1.0" NPSH Vented Cap with Cable	NPSH	Rocker Lug	Chrome	01.094.10	\$77.82
<b>1.5" Vented Cap - NH</b>					
1.5" NH Vented Cap	NH	Rocker Lug	Chrome	01.005.9	\$39.51
1.5" NH Vented Cap with Chain	NH	Rocker Lug	Chrome	01.005.0	\$39.51
1.5" NH Vented Cap with Cable	NH	Rocker Lug	Chrome	01.005.11	\$42.15
<b>1.5" Vented Cap - NPSH</b>					
1.5" NPSH Vented Cap	NPSH	Rocker Lug	Chrome	01.005.12	\$45.57
1.5" NPSH Vented Cap with Chain	NPSH	Rocker Lug	Chrome	01.005.10	\$45.57
1.5" NPSH Vented Cap with Cable	NPSH	Rocker Lug	Chrome	01.005.14	\$48.21
<b>1.5" Vented Cap - with Chain - (Special Threads)</b>					
(1.933" x 11.5 TPI) Vented Cap with Chain	Special	Rocker Lug	Chrome	01.S05.1	\$70.44
(2.032" x 8 TPI) Vented Cap with Chain	Special	Rocker Lug	Chrome	01.S05.4	\$32.18
(2.093" x 11 TPI) Vented Cap with Chain	Special	Rocker Lug	Chrome	01.S05.3	\$32.18
(2.100" x 8 TPI) Vented Cap with Chain	Special	Rocker Lug	Chrome	01.S05.2	\$70.44
<b>2.0" Vented Cap - NH</b>					
2.0" NH Vented Cap	NH	Rocker Lug	Chrome	01.050.12	\$64.28
2.0" NH Vented Cap with Chain	NH	Rocker Lug	Chrome	01.050.2	\$64.28
2.0" NH Vented Cap with Cable	NH	Rocker Lug	Chrome	01.050.14	\$66.91
<b>2.5" Vented Cap - NH</b>					
2.5" NH Vented Cap	NH	Rocker Lug	Chrome	01.006.9	\$44.52
2.5" NH Vented Cap with Chain	NH	Rocker Lug	Chrome	01.006.0	\$44.52
2.5" NH Vented Cap with Cable	NH	Rocker Lug	Chrome	01.006.10	\$47.15
<b>2.5" Vented Cap - with Chain - (Canadian)</b>					
(2.990" x 8 TPI) Vented Cap with Chain	AMA	Rocker Lug	Chrome	01.S06.33	\$96.35
(3.000" x 8 TPI) Vented Cap with Chain	BCT	Rocker Lug	Chrome	01.S06.8	\$96.35
(3.031" x 7 TPI) Vented Cap with Chain	QST	Rocker Lug	Chrome	01.S06.19	\$96.35
(3.125" x 5 TPI) Vented Cap with Chain	CSA	Rocker Lug	Chrome	01.S06.23	\$96.35
(3.230" x 5 TPI) Vented Cap with Chain	NSS	Rocker Lug	Chrome	01.S06.22	\$96.35
(3.250" x 5 TPI) Vented Cap with Chain	PEI	Rocker Lug	Chrome	01.S06.31	\$96.35
(3.250" x 6 TPI) Vented Cap with Chain	WCT	Rocker Lug	Chrome	01.S06.30	\$96.35
<b>2.5" Vented Cap - with Chain - (Special Threads)</b>					
(2.841" x 8 TPI) Vented Cap with Chain (NPSH)	Special	Rocker Lug	Chrome	01.S06.35	\$96.35
(2.841" x 8 TPI) Vented Cap with Cable (NPSH)	Special	Rocker Lug	Chrome	01.S06.66	\$98.50
(2.940" x 7.5 TPI) Vented Cap with Chain	Special	Rocker Lug	Chrome	01.S06.28	\$96.35

Hose Caps



# Hose Caps

Various Threads Chromed Brass

Description	Threads	Type	Finish	Part #	Price
<b>2.5" Vented Cap - with Chain - (Special Threads)</b>					
(2.950" x 8 TPI) Vented Cap with Chain	Special	Rocker Lug	Chrome	01.S06.38	\$96.35
(2.953" x 7.5 TPI) Vented Cap with Chain	Special	Rocker Lug	Chrome	01.S06.26	\$96.35
(2.962" x 8 TPI) Vented Cap with Chain	Special	Rocker Lug	Chrome	01.S06.65	\$96.35
(2.968" x 8 TPI) Vented Cap with Cable	Special	Rocker Lug	Chrome	01.S06.61	\$101.72
(2.968" x 8 TPI) Vented Cap with Chain	Special	Rocker Lug	Chrome	01.S06.39	\$96.35
(2.990" x 7.5 TPI) Vented Cap with Chain	Special	Rocker Lug	Chrome	01.S06.32	\$96.35
(2.990" x 8 TPI) Vented Cap with Chain	Special	Rocker Lug	Chrome	01.S06.33	\$96.35
(3.000" x 8 TPI) Vented Cap with Chain	Special	Rocker Lug	Chrome	01.S06.8	\$96.35
(3.022" x 7 TPI) Vented Cap with Chain	Special	Rocker Lug	Chrome	01.S06.27	\$96.35
(3.028" x 6 TPI) Vented Cap with Chain	Special	Rocker Lug	Chrome	01.S06.51	\$96.35
(3.030" x 8 TPI) Vented Cap with Chain	Special	Rocker Lug	Chrome	01.S06.15	\$96.35
(3.031" x 7 TPI) Vented Cap with Chain	Special	Rocker Lug	Chrome	01.S06.19	\$96.35
(3.058" x 6 TPI) Vented Cap with Chain	Special	Rocker Lug	Chrome	01.S06.64	\$101.72
(3.062" x 6 TPI) Vented Cap with Chain	Special	Rocker Lug	Chrome	01.S06.25	\$96.35
(3.062" x 7 TPI) Vented Cap with Chain	Special	Rocker Lug	Chrome	01.S06.16	\$96.35
(3.062" x 8 TPI) Vented Cap with Chain	Special	Rocker Lug	Chrome	01.S06.37	\$96.35
(3.065" x 8 TPI) Vented Cap with Chain	Special	Rocker Lug	Chrome	01.S06.56	\$96.35
(3.068" x 6 TPI) Vented Cap with Chain	Special	Rocker Lug	Chrome	01.S06.50	\$96.35
(3.073" x 6 TPI) Vented Cap with Chain	Special	Rocker Lug	Chrome	01.S06.13	\$96.35
(3.075" x 6 TPI) Vented Cap with Chain	Special	Rocker Lug	Chrome	01.S06.53	\$96.35
(3.078" x 6 TPI) Vented Cap with Chain	Special	Rocker Lug	Chrome	01.S06.2	\$96.35
(3.078" x 8 TPI) Vented Cap with Chain	Special	Rocker Lug	Chrome	01.S06.3	\$96.35
(3.087" x 6 TPI) Vented Cap with Chain	Special	Rocker Lug	Chrome	01.S06.49	\$96.35
(3.093" x 6 TPI) Vented Cap with Chain	Special	Rocker Lug	Chrome	01.S06.36	\$96.35
(3.093" x 8 TPI) Vented Cap with Chain	Special	Rocker Lug	Chrome	01.S06.11	\$96.35
(3.095" x 6 TPI) Vented Cap with Chain	Special	Rocker Lug	Chrome	01.S06.0	\$96.35
(3.109" x 6 TPI) Vented Cap with Chain	Special	Rocker Lug	Chrome	01.S06.59	\$96.35
(3.125" x 5 TPI) Vented Cap with Chain	Special	Rocker Lug	Chrome	01.S06.23	\$96.35
(3.125" x 6 TPI) Vented Cap with Chain	Special	Rocker Lug	Chrome	01.S06.41	\$96.35
(3.125" x 6 TPI) Vented Cap with Chain Double Lead	Special	Rocker Lug	Chrome	01.S06.58	\$96.35
(3.125" x 7.5 TPI) Vented Cap with Chain	Special	Rocker Lug	Chrome	01.S06.5	\$96.35
(3.125" x 7.5 TPI) Vented Cap with Cable	Special	Rocker Lug	Chrome	01.S06.67	\$99.04
(3.125" x 7 TPI) Vented Cap with Chain	Special	Rocker Lug	Chrome	01.S06.20	\$96.35
(3.140" x 6 TPI) Vented Cap with Chain	Special	Rocker Lug	Chrome	01.S06.43	\$96.35
(3.140" x 8 TPI) Vented Cap with Chain	Special	Rocker Lug	Chrome	01.S06.52	\$96.35
(3.156" x 6 TPI) Vented Cap with Chain	Special	Rocker Lug	Chrome	01.S06.9	\$96.35
(3.165" x 7.5 TPI) Vented Cap with Chain	Special	Rocker Lug	Chrome	01.S06.57	\$96.35
(3.172" x 6 TPI) Vented Cap with Cable	Special	Rocker Lug	Chrome	01.S06.55	\$96.35
(3.175" x 6 TPI) Vented Cap with Chain	Special	Rocker Lug	Chrome	01.S06.29	\$96.35
(3.180" x 8 TPI) Vented Cap with Chain	Special	Rocker Lug	Chrome	01.S06.62	\$96.35
(3.187" x 6 TPI) Vented Cap with Chain	Special	Rocker Lug	Chrome	01.S06.34	\$96.35
(3.187" x 8 TPI) Vented Cap with Chain	Special	Rocker Lug	Chrome	01.S06.63	\$96.35
(3.188" x 7 TPI) Vented Cap with Chain	Special	Rocker Lug	Chrome	01.S06.54	\$96.35
(3.230" x 5 TPI) Vented Cap with Chain	Special	Rocker Lug	Chrome	01.S06.22	\$96.35
(3.234" x 6 TPI) Vented Cap with Chain	Special	Rocker Lug	Chrome	01.S06.7	\$96.35

Hose Caps

# Hose Caps

Various Sizes and Threads Chromed Brass



Description	Threads	Type	Finish	Part #	Price
<b>2.5" Vented Cap - with Chain - (Special Threads)</b>					
(3.250" x 5 TPI) Vented Cap with Chain	Special	Rocker Lug	Chrome	01.S06.31	\$96.35
(3.268" x 6 TPI Vented Cap with Chain	Special	Rocker Lug	Chrome	01.S06.47	\$96.35
(3.250" x 6 TPI) Vented Cap with Chain	Special	Rocker Lug	Chrome	01.S06.30	\$96.35
(3.281" x 8 TPI) Vented Cap with Chain	Special	Rocker Lug	Chrome	01.S06.60	\$96.35
(3.312" x 8 TPI) Vented Cap with Chain	Special	Rocker Lug	Chrome	01.S06.46	\$96.35
(3.340" x 6 TPI) Vented Cap with Chain	Special	Rocker Lug	Chrome	01.S06.18	\$96.35
<b>3.0" Vented Cap - NH</b>					
3.0" NH Vented Cap	NH	Rocker Lug	Chrome	01.015.2	\$101.15
3.0" NH Vented Cap with Chain	NH	Rocker Lug	Chrome	01.015.0	\$101.15
3.0" NH Vented Cap with Cable	NH	Rocker Lug	Chrome	01.015.10	\$103.79
<b>3.5" Vented Cap - NH</b>					
3.5" NH Vented Cap	NH	Rocker Lug	Chrome	01.043.2	\$206.00
3.5" NH Vented Cap with Chain	NH	Rocker Lug	Chrome	01.043.0	\$206.00
3.5" NH Vented Cap with Cable	NH	Rocker Lug	Chrome	01.043.10	\$208.63
<b>4.0" Vented Cap - NH</b>					
4.0" NH Vented Cap	NH	Rocker Lug	Chrome	01.021.9	\$273.91
4.0" NH Vented Cap with Chain	NH	Rocker Lug	Chrome	01.021.6	\$273.91
4.0" NH Vented Cap with Cable	NH	Rocker Lug	Chrome	01.021.10	\$276.59
<b>4.5" Vented Cap - NH</b>					
4.5" NH Vented Cap	NH	Rocker Lug	Chrome	01.163.2	\$311.50
4.5" NH Vented Cap with Chain	NH	Rocker Lug	Chrome	01.163.0	\$311.50
4.5" NH Vented Cap with Cable	NH	Rocker Lug	Chrome	01.163.10	\$316.34
<b>5.0" Vented Cap - NH</b>					
5.0" NH Vented Cap	NH	Rocker Lug	Chrome	01.009.35	\$413.55
5.0" NH Vented Cap with Chain	NH	Rocker Lug	Chrome	01.009.6	\$413.55
5.0" NH Vented Cap with Cable	NH	Rocker Lug	Chrome	01.009.36	\$416.23
<b>6.0" Vented Cap - NH</b>					
6.0" NH Vented Cap	NH	Rocker Lug	Chrome	01.003.41	\$504.85
6.0" NH Vented Cap with Chain	NH	Rocker Lug	Chrome	01.003.16	\$504.85
6.0" NH Vented Cap with Cable	NH	Rocker Lug	Chrome	01.003.42	\$507.54

## Cap and Plug Product Features

- ▶ All NH Threads are Vented as Shown at Left to meet NFPA 1901/1906 Standards
- ▶ Forged (ASTM C37700) and Cast (ASTM C85700) Brass
- ▶ Hose Threads Available as NH, Canadian and Special
- ▶ Standard Retention Ball Chain
- ▶ Optional Vinyl Coated Stainless Steel Retention Cable
- ▶ Also Available Without a Retention Chain/Cable
- ▶ Corrosion Resistant / Chrome Plated
- ▶ Hydrostatically Tested to 700PSI
- ▶ Rocker Lug

Hose Caps



Meets NFPA 1901 and 1906  
(2016 editions)  
For Automatic Pressure Release





# Long Handle Caps

Various Sizes Chromed Brass, CR-13 Aluminum

Description	Notes	Type	Finish	Part #	Price
<b>4.0" Vented Long Handle Cap - NH</b>					
4.0" NH Vented Cap Long Handle, Brass	Plain	Long Handle	Chrome	01.021.0	\$290.02
4.0" NH Vented Cap Long Handle, Aluminum	Plain	Long Handle	CR-13	01.021.50	\$231.81
<b>4.5" Vented Long Handle Cap - NH</b>					
4.5" NH Vented Cap Long Handle, Brass	Plain	Long Handle	Chrome	01.023.0	\$424.29
4.5" NH Vented Cap Long Handle, Brass	OEM Logo	Long Handle	Chrome	01.023.XX	Call
4.5" NH Vented Cap Long Handle, Aluminum	Plain	Long Handle	CR-13	01.023.50	\$286.60
4.5" NH Vented Cap Long Handle, Aluminum	OEM Logo	Long Handle	CR-13	01.023.XX	Call
<b>5.0" Vented Long Handle Cap - NH</b>					
5.0" NH Vented Cap Long Handle, Brass	Plain	Long Handle	Chrome	01.009.4	\$408.18
5.0" NH Vented Cap Long Handle, Brass	OEM Logo	Long Handle	Chrome	01.009.XX	Call
5.0" NH Vented Cap Long Handle, Aluminum	Plain	Long Handle	CR-13	01.009.50	\$288.71
5.0" NH Vented Cap Long Handle, Aluminum	OEM Logo	Long Handle	CR-13	01.009.XX	Call
<b>6.0" Vented Long Handle Cap - NH</b>					
6.0" NH Vented Cap Long Handle, Brass	Plain	Long Handle	Chrome	01.003.0	\$429.66
6.0" NH Vented Cap Long Handle, Brass	OEM Logo	Long Handle	Chrome	01.003.XX	Call
6.0" NH Vented Cap Long Handle, Aluminum	Plain	Long Handle	CR-13	01.003.50	\$303.46
6.0" NH Vented Cap Long Handle, Aluminum	OEM Logo	Long Handle	CR-13	01.003.XX	Call
<b>8.0" Vented Long Handle Cap - NH</b>					
8.0" NH Vented Cap Long Handle, Aluminum	Plain	Long Handle	CR-13	01.180.0	\$592.70
8.0" NH Vented Cap Long Handle, Aluminum	OEM Logo	Long Handle	CR-13	01.180.XX	Call

**Note:** Logos are rotatable to read true no matter where the long handle cap ends up after tightening.



**Also Note:** CR-13 Chrome-plated Long Handle Aluminum Caps are now available. These are identical in appearance and quality to the chrome-plated brass caps but weigh 60% less and are lower in price.



Vented Threads on Long Handled Caps.





Long Handle Hose Caps

# Elbows

Various Degrees and Threads Chromed Brass



Description	Threads	Type	Finish	Part #	Price
<b>1.5" Elbow - 30° Female Swivel NH x Male NH Brass</b>					
1.5"F Swivel NH x 1.5"M NH	NH/NH	Rocker Lug	Chrome	01.177.0	\$94.83
<b>2.5" Elbow - 30° Female Swivel NH x Male NH Brass</b>					
2.5"F Swivel NH x 2.5"M NH	NH/NH	Rocker Lug	Chrome	01.010.0	\$144.88
<b>2.5" Elbow - 45° Female Swivel NH x Male NH Brass</b>					
2.5"F Swivel NH x 2.5"M NH	NH/NH	Rocker Lug	Chrome	01.002.0	\$144.88
2.5"F Swivel NH x 3"M NH	NH/NH	Rocker Lug	Chrome	01.071.0	\$223.91
<b>2.5" Elbow - 30° (2.5" Female Swivel x Canadian Male)</b> 					
2.5"F Swivel NPSH x 2.50"F QST	NPSH/QST	Rocker Lug	Chrome	01.S10.50	\$286.80
2.5"F Swivel NPSH x 2.50"M AMA	NPSH/AMA	Rocker Lug	Chrome	01.S10.56	\$286.80
2.5"F Swivel NPSH x 2.50"M PEI	NPSH/PEI	Rocker Lug	Chrome	01.S10.57	\$286.80
2.5"F Swivel NPSH x 2.50"M WCT	NPSH/WCT	Rocker Lug	Chrome	01.S10.58	\$286.80
2.5"F Swivel NH x (2.990" x 8 TPI) M	NH/AMA	Rocker Lug	Chrome	01.S10.18	\$286.80
2.5"F Swivel NH x (3.000" x 8 TPI) M	NH/BCT	Rocker Lug	Chrome	01.S10.3	\$286.80
(2.841" x 8 TPI) F Swivel NPSH x (3.125" x 5 TPI) M	NPSH/CSA	Rocker Lug	Chrome	01.S10.16	\$286.80
(3.125" x 5 TPI) F Swivel x (3.125" x 5 TPI) M	CSA/CSA	Rocker Lug	Chrome	01.S10.9	\$286.80
(3.125" x 5 TPI) F Swivel x 2.5"M NH	CSA/NH	Rocker Lug	Chrome	01.S10.25	\$286.80
2.5"F Swivel NH x (3.230" x 5 TPI) M	NH/NSS	Rocker Lug	Chrome	01.S10.29	\$286.80
2.5"F Swivel NH x (3.250" x 5 TPI) M	NH/PEI	Rocker Lug	Chrome	01.S10.30	\$286.80
2.5"F Swivel NH x (3.031" x 7 TPI) M	NH/QST	Rocker Lug	Chrome	01.S10.31	\$286.80
2.5"F Swivel NH x (3.250" x 6 TPI) M	NH/WCT	Rocker Lug	Chrome	01.S10.26	\$286.80
<b>2.5" Elbow - 45° (2.5" Female Swivel x Canadian Male)</b> 					
2.5"F Swivel NPSH x (3.125" x 5 TPI) M	NPSH/CSA	Rocker Lug	Chrome	01.S02.32	\$286.80
2.5"F Swivel NPSH x (3.230" x 5 TPI) M	NPSH/NSS	Rocker Lug	Chrome	01.S02.48	\$286.80
2.5"F Swivel NPSH x (3.031" x 7 TPI) M	NPSH/QST	Rocker Lug	Chrome	01.S02.33	\$286.80
2.5"F Swivel NH x (2.990" x 8 TPI) M	NH/AMA	Rocker Lug	Chrome	01.S02.18	\$286.80
2.5"F Swivel NH x (3.000" x 8 TPI) M	NH/BCT	Rocker Lug	Chrome	01.S02.11	\$286.80
2.5"F Swivel NH x (3.031" x 7 TPI) M	NH/QST	Rocker Lug	Chrome	01.S02.6	\$286.80
(3.031" x 7 TPI) F Swivel x (3.031" x 7 TPI) M	QST/QST	Rocker Lug	Chrome	01.S02.49	\$286.80
2.5"F Swivel NH x (3.125" x 5 TPI) M	NH/CSA	Rocker Lug	Chrome	01.S02.16	\$286.80
(3.125" x 5 TPI) F Swivel x 2.5"M NH	CSA/NH	Rocker Lug	Chrome	01.S02.35	\$260.48
2.5"F Swivel NH x (3.230" x 5 TPI) M	NH/NSS	Rocker Lug	Chrome	01.S02.12	\$286.80
(3.230" x 5 TPI) F Swivel x (3.230" x 5 TPI) M	NSS/NSS	Rocker Lug	Chrome	01.S02.36	\$286.80
2.5"F Swivel NH x (3.250" x 5 TPI) M	NH/PEI	Rocker Lug	Chrome	01.S02.34	\$286.80
2.5"F Swivel NH x (3.250" x 6 TPI) M	NH/WCT	Rocker Lug	Chrome	01.S02.19	\$286.80
(3.250" x 5 TPI) F Swivel x 2.5"M NH	PEI/NH	Rocker Lug	Chrome	01.S02.38	\$286.80
<b>2.5" Elbow - 30° Female Swivel x Female Swivel</b>					
2.5" Female Swivel NH x 2.5" Female Swivel NH, 30°	NH/NH	Rocker Lug	Chrome	01.S10.27	\$286.80
<b>2.5" Elbow - 30° Female Swivel x Male (Special Threads)</b>					
2.5"F Swivel (2.841 x 8 TPI) x 2.5"M (2.841 x 8 TPI)	NPSH/NPSH	Rocker Lug	Chrome	01.S10.60	\$286.80
2.5"F Swivel NH x (2.940" x 7.5 TPI) M	NH/Special	Rocker Lug	Chrome	01.S10.19	\$286.80
2.5"F Swivel NH x (2.940" x 8 TPI) M	NH/Special	Rocker Lug	Chrome	01.S10.22	\$286.80
2.5"F Swivel NH x (2.953" x 7 TPI) M	NH/Special	Rocker Lug	Chrome	01.S10.45	\$286.80
2.5"F Swivel NH x (2.962" x 8 TPI) M	NH/Special	Rocker Lug	Chrome	01.S10.55	\$286.80
2.5"F Swivel NH x (3.000" x 8 TPI) M	NH/Special	Rocker Lug	Chrome	01.S10.3	\$286.80
2.5"F Swivel NH x (3.022" x 7 TPI) M	NH/Special	Rocker Lug	Chrome	01.S10.11	\$286.80





# Elbows

Various Degrees and Threads Chromed Brass

Description	Threads	Type	Finish	Part #	Price
<b>2.5" Elbow - 30° Female Swivel x Male (Special Threads)</b>					
2.5"F Swivel NH x (3.030" x 8 TPI) M	NH/Special	Rocker Lug	Chrome	01.S10.7	\$286.80
2.5"F Swivel NH x (3.062" x 6 TPI) M	NH/Special	Rocker Lug	Chrome	01.S10.10	\$286.80
2.5"F Swivel NH x (3.062" x 7 TPI) M	NH/Special	Rocker Lug	Chrome	01.S10.59	\$286.80
2.5"F Swivel NH x (3.062" x 8 TPI) M	NH/Special	Rocker Lug	Chrome	01.S10.21	\$286.80
2.5"F Swivel NH x (3.065" x 8 TPI) M	NH/Special	Rocker Lug	Chrome	01.S10.48	\$286.80
2.5"F Swivel NH x (3.068" x 7 TPI) M	NH/Special	Rocker Lug	Chrome	01.S10.44	\$286.80
2.5"F Swivel NH x (3.078" x 8 TPI) M	NH/Special	Rocker Lug	Chrome	01.S10.13	\$286.80
2.5"F Swivel NH x (3.093" x 6 TPI) M	NH/Special	Rocker Lug	Chrome	01.S10.17	\$286.80
2.5"F Swivel NH x (3.095" x 6 TPI) M	NH/Special	Rocker Lug	Chrome	01.S10.0	\$286.80
2.5"F Swivel NH x (3.109" x 6 TPI) M	NH/Special	Rocker Lug	Chrome	01.S10.51	\$286.80
2.5"F Swivel NH x (3.140" x 6 TPI) M	NH/Special	Rocker Lug	Chrome	01.S10.33	\$286.80
2.5"F Swivel NH x (3.165" x 7.5 TPI) M	NH/Special	Rocker Lug	Chrome	01.S10.12	\$286.80
2.5"F Swivel NH x (3.172" x 6 TPI) M	NH/Special	Rocker Lug	Chrome	01.S10.46	\$286.80
2.5"F Swivel NH x (3.175" x 6 TPI) M	NH/Special	Rocker Lug	Chrome	01.S10.39	\$286.80
2.5"F Swivel NH x (3.180" x 8 TPI) M	NH/Special	Rocker Lug	Chrome	01.S10.52	\$286.80
2.5"F Swivel NH x (3.187" x 8 TPI) M	NH/Special	Rocker Lug	Chrome	01.S10.53	\$286.80
(2.841" x 8 TPI) F Swivel x 2.5"M NH	Special/NH	Rocker Lug	Chrome	01.S10.15	\$286.80
(2.841" x 8 TPI) F Swivel x (3.125" x 5 TPI) M	Special/Special	Rocker Lug	Chrome	01.S10.16	\$286.80
(2.950" x 8 TPI) F Swivel x 2.5"M NH	Special/NH	Rocker Lug	Chrome	01.S10.23	\$286.80
(3.062" x 6 TPI) F Swivel x 2.5"M NH	Special/NH	Rocker Lug	Chrome	01.S10.20	\$286.80
(3.062" x 8 TPI) F Swivel x 2.5"M NH	Special/NH	Rocker Lug	Chrome	01.S10.47	\$286.80
(3.065" x 8 TPI) F Swivel x 2.5"M NH	Special/NH	Rocker Lug	Chrome	01.S10.49	\$286.80
(3.230" x 5 TPI) F Swivel x (3.230" x 5) M	Special/Special	Rocker Lug	Chrome	01.S10.54	\$286.80
(3.125" x 5 TPI) F Swivel x (3.125" x 5 TPI) M	Special/Special	Rocker Lug	Chrome	01.S10.9	\$286.80
(3.125" x 5 TPI) F Swivel x 2.5"M NH	Special/NH	Rocker Lug	Chrome	01.S10.25	\$286.80
(3.156" x 6 TPI) F Swivel x 2.5"M NH	Special/NH	Rocker Lug	Chrome	01.S10.24	\$286.80
(3.312" x 8 TPI) F Swivel x 2.5"M NH	Special/NH	Rocker Lug	Chrome	01.S10.40	\$286.80
<b>2.5" Elbow - 45° Female Swivel x Male (Special Threads)</b>					
2.5"F Swivel NH x (2.841" x 8 TPI) M NPSH	NH/Special	Rocker Lug	Chrome	01.S02.42	\$286.80
2.5"F Swivel NH x (2.953" x 7.5 TPI) M	NH/Special	Rocker Lug	Chrome	01.S02.14	\$286.80
(2.955"x 8 TPI) F Swivel x 2.5"M NH	Special/NH	Rocker Lug	Chrome	01.S02.39	\$286.80
2.5"F Swivel NH x (2.962" x 8 TPI) M	NH/Special	Rocker Lug	Chrome	01.S02.46	\$286.80
2.5"F Swivel NH x (2.968" x 8 TPI) M	NH/Special	Rocker Lug	Chrome	01.S02.23	\$286.80
2.5"F Swivel NH x (2.990" x 7.5 TPI) M	NH/Special	Rocker Lug	Chrome	01.S02.17	\$286.80
2.5"F Swivel NH x (2.990" x 8 TPI) M	NH/Special	Rocker Lug	Chrome	01.S02.18	\$286.80
(2.990"x 8 TPI) F Swivel x 2.5"M NH	Special/NH	Rocker Lug	Chrome	01.S02.31	\$286.80
2.5"F Swivel NH x (3.000" x 8 TPI) M	NH/Special	Rocker Lug	Chrome	01.S02.11	\$286.80
(3.0" x 8 TPI) F Swivel x 2.5"M NH	Special/NH	Rocker Lug	Chrome	01.S02.37	\$286.80
2.5"F Swivel NH x (3.031" x 7 TPI) M	NH/Special	Rocker Lug	Chrome	01.S02.6	\$286.80
2.5"F Swivel NH x (3.062" x 6 TPI) M	NH/Special	Rocker Lug	Chrome	01.S02.2	\$286.80
2.5"F Swivel NH x (3.062" x 7 TPI) M	NH/Special	Rocker Lug	Chrome	01.S02.7	\$286.80
2.5"F Swivel NH x (3.062" x 8 TPI) M	NH/Special	Rocker Lug	Chrome	01.S02.24	\$286.80
(3.062"x 8 TPI) F Swivel x (3.062" x 8 TPI) M	Special/Special	Rocker Lug	Chrome	01.S02.47	\$286.80
2.5"F Swivel NH x (3.068" x 6 TPI) M	NH/Special	Rocker Lug	Chrome	01.S02.43	\$286.80
2.5"F Swivel NH x (3.077" x 7 TPI) M	NH/Special	Rocker Lug	Chrome	01.S02.28	\$286.80

# Elbows

Various Degrees and Threads Chromed Brass



Description	Threads	Type	Finish	Part #	Price
<b>2.5" Elbow - 45° Female Swivel x Male (Special Threads)</b>					
2.5"F Swivel NH x (3.078" x 6 TPI) M	NH/Special	Rocker Lug	Chrome	01.S02.1	\$286.80
2.5"F Swivel NH x (3.078" x 8 TPI) M	NH/Special	Rocker Lug	Chrome	01.S02.25	\$286.80
2.5"F Swivel NH x (3.093" x 6 TPI) M	NH/Special	Rocker Lug	Chrome	01.S02.22	\$286.80
2.5"F Swivel NH x (3.093" x 8 TPI) M	NH/Special	Rocker Lug	Chrome	01.S02.20	\$286.80
2.5"F Swivel NH x (3.095" x 6 TPI) M	NH/Special	Rocker Lug	Chrome	01.S02.0	\$286.80
2.5"F Swivel NH x (3.109" x 6 TPI) M	NH/Special	Rocker Lug	Chrome	01.S02.45	\$286.80
2.5"F Swivel NH x (3.125" x 5 TPI) M	NH/Special	Rocker Lug	Chrome	01.S02.16	\$286.80
2.5"F Swivel NH x (3.125" x 6 TPI) M	NH/Special	Rocker Lug	Chrome	01.S02.29	\$286.80
2.5"F Swivel NH x (3.125" x 7 TPI) M	NH/Special	Rocker Lug	Chrome	01.S02.10	\$286.80
2.5"F Swivel NH x (3.125" x 7.5 TPI) M	NH/Special	Rocker Lug	Chrome	01.S02.5	\$286.80
2.5"F Swivel NH x (3.140" x 8 TPI) M	NH/Special	Rocker Lug	Chrome	01.S02.44	\$286.80
2.5"F Swivel NH x (3.175" x 6 TPI) M	NH/Special	Rocker Lug	Chrome	01.S02.15	\$286.80
2.5"F Swivel NH x (3.187" x 6 TPI) M	NH/Special	Rocker Lug	Chrome	01.S02.40	\$286.80
(3.187"x 6 TPI) F Swivel x 2.5"M NH	Special/NH	Rocker Lug	Chrome	01.S02.41	\$286.80
2.5"F Swivel NH x (3.230" x 5 TPI) M	NH/Special	Rocker Lug	Chrome	01.S02.12	\$286.80
2.5"F Swivel NH x (3.250" x 5 TPI) M	NH/Special	Rocker Lug	Chrome	01.S02.21	\$286.80
2.5"F Swivel NH x (3.250" x 6 TPI) M	NH/Special	Rocker Lug	Chrome	01.S02.19	\$286.80
2.5"F Swivel NH x (3.340" x 6 TPI) M	NH/Special	Rocker Lug	Chrome	01.S02.9	\$286.80
(2.841" x 8 TPI) F Swivel NPSH x 2.5"M NH	Special/NH	Rocker Lug	Chrome	01.S02.13	\$286.80
(3.0" x 8 TPI) F Swivel x (3.0" x 8 TPI) M	Special/Special	Rocker Lug	Chrome	01.S02.26	\$286.80
(3.060" x 7 TPI) F Swivel x 2.5"M NH	Special/NH	Rocker Lug	Chrome	01.S02.8	\$286.80
(3.125" x 5 TPI) F Swivel x (3.125" x 5 TPI) M	Special/Special	Rocker Lug	Chrome	01.S02.27	\$286.80
<b>3.0" Elbow - 30° Female Swivel x Male NH</b>					
3.0"F Swivel NH x 2.5"M NH	NH/NH	Rocker Lug	Chrome	01.054.20	\$273.96
3.0"F Swivel NH x 3"M NH	NH/NH	Rocker Lug	Chrome	01.016.20	\$289.76
3.0"F Swivel NH x 4.0"M NH	NH/NH	Rocker Lug	Chrome	01.126.20	\$619.04
<b>3.0" Elbow - 45° Female Swivel x Male NH</b>					
3.0"F Swivel NH x 2.5"M NH	NH/NH	Rocker Lug	Chrome	01.054.0	\$273.96
3.0"F Swivel NH x 3"M NH	NH/NH	Rocker Lug	Chrome	01.016.0	\$289.76
<b>3.0" Elbow - 90° Female Swivel x Male NH</b>					
3.0"F Swivel NH x 3.0"M NH, 90°	NH/NH	Rocker Lug	Chrome	01.016.40	\$500.50
<b>4.0" Elbow - 30° Female Swivel x Male NH</b>					
4.0"F Swivel NH x 4.0"M NH, 30°	NH/NH	Rocker Lug	Chrome	01.058.20	\$629.58
4.0"F Swivel NH x 4.5"M NH, 30°	NH/NH	Rocker Lug	Chrome	01.190.0	\$895.64
<b>4.0" Elbow - 45° Female Swivel x Male NH</b>					
4.0"F Swivel NH x 4.0"M NH, 45°	NH/NH	Rocker Lug	Chrome	01.058.0	\$629.58
<b>4.0" Elbow - 90° Female Swivel x Male NH</b>					
4.0"F Swivel NH x 4.0"M NH, 90°	NH/NH	Rocker Lug	Chrome	01.058.40	\$808.18
4.0"F Swivel NH x 4.0"M NH, 90° w/Strainer	NH/NH	Rocker Lug	Chrome	01.058.45	\$839.79

## Elbow Product Features

- ▶ Forged (ASTM C37700)
- ▶ Cast (ASTM C85700) Brass
- ▶ Threads Available NH, Canadian, Special
- ▶ Corrosion Resistant
- ▶ Chrome Plated
- ▶ NFPA Standards Compliant
- ▶ Hydrostatically Tested to 700PSI
- ▶ Rocker Lug
- ▶ 30°, 45° or 90° (3" and 4") Angles
- ▶ Female Swivel x Male Threads

Elbows



# Chicksan Elbows

90° Elbows – 360° Rotation, Various Finishes and Threads

Description	Threads	Arm Height	Arm Length	Finish	Part #	Price
<b>1</b> 90° Swivel Elbows - 1.0" Compact						
1.0"F NPT x 1.0"M NH	NPT/NH	Short	Short	Stainless	01.186.0	\$100.70
1.0"F NPT x 1.0"M NPSH	NPT/NPSH	Short	Short	Stainless	01.186.1	\$100.70
<b>2</b> 90° Swivel Elbows - Pipe Mount						
1.5"F NPT x 1.5"M NH	NPT/NH	Tall	Long	Brass	01.055.18	\$123.53
2.0"F NPT x 1.5"M NH	NPT/NH	Short	Short	Chrome	01.055.0	\$106.61
2.0"F NPT x 1.5"M NPSH	NPT/NPSH	Short	Short	Chrome	01.055.10	\$111.31
2.0"F NPT x 1.5"M NH	NPT/NH	Short	Short	Brass	01.055.1	\$89.96
2.0"F NPT x 1.5"M NH	NPT/NH	Short	Long	Chrome	01.055.2	\$106.07
2.0"F NPT x 1.5"M NH	NPT/NH	Short	Long	Brass	01.055.3	\$102.85
2.0"F NPT x 1.5"M NH	NPT/NH	Tall	Long	Brass	01.055.6	\$133.19
2.0"F NPT x 1.5"M NPSH	NPT/NPSH	Tall	Long	Brass	01.055.16	\$139.64
2.5"F NPT x 2.5"M NH	NPT/NH	Tall	Long	Chrome	01.086.0	\$318.22
2.5"F NPT x 2.5"M NH	NPT/NH	Tall	Long	Brass	01.086.1	\$293.38
2.5"F NPT x 2.5"M NPSH	NPT/NPSH	Tall	Long	Brass	01.086.11	\$335.67
2.5"F NPT x 2.5"M NH	NPT/NH	Tall	Short	Brass	01.086.30	\$349.10
<b>3</b> 90° Swivel Elbows - 2-Bolt Mounting Pad						
1.5"F NPT x 1.5"M NH	NPT/NH	Tall	Long	Brass	01.055.19	\$129.97
2.0"F NPT x 1.5"M NH	NPT/NH	Tall	Long	Brass	01.055.5	\$123.53
2.0"F NPT x 1.5"M NPSH	NPT/NPSH	Tall	Long	Brass	01.055.15	\$128.90
2.0"F NPT x 1.5"M NH	NPT/NH	Tall	Long	Chrome	01.055.26	\$139.64
2.0"F NPT x 1.5"M NH	NPT/NH	Short	Long	Brass	01.055.51	\$134.27
2.0" Victaulic x 1.5"M NPSH	VIC/NPSH	Tall	Long	Brass	01.055.27	\$166.49
2.0" Victaulic x 1.5"M NH	VIC/NH	Tall	Long	Brass	01.055.9	\$161.12
2.5"F NPT x 2.5"M NH	NPT/NH	Tall	Long	Brass	01.086.5	\$322.25
2.5"F NPT x 2.5"M NPSH	NPT/NPSH	Tall	Long	Brass	01.086.15	\$359.84
2.5"F NPT x 2.5"M NH	NPT/NH	Tall	Short	Brass	01.086.29	\$370.58
2.5" Victaulic x 2.5"M NH	VIC/NH	Tall	Long	Brass	01.086.6	\$392.06
<b>4</b> 90° Double Swivel Elbows - 2-Bolt Mounting Pad						
2.0" Victaulic x 1.5"M NH, Double Swivel	VIC/NH	Tall	Long	Brass	01.055.4	\$186.37
2.0" Victaulic x 1.5"M NPSH, Double Swivel	VIC/NPSH	Tall	Long	Brass	01.055.14	\$198.72
2.0" Victaulic x 1.5"M NH, Double Swivel	VIC/NH	Short	Short	Brass	01.055.46	\$186.37
2.5" Victaulic x 2.5"M NH, Double Swivel	VIC/NH	Tall	Long	Brass	01.086.4	\$557.48
2.5" Victaulic x 2.5"M NH, Double Swivel	VIC/NH	Short	Short	Brass	01.086.27	\$557.48
<b>5</b> 90° Swivel Elbows - 4-Bolt Mounting Flange						
2.0"F NPT x 1.5"M NH	NPT/NH	Tall	Long	Brass	01.055.21	\$138.57
2.0"F NPT x 1.5"M NH	NPT/NH	Tall	Long	Chrome	01.055.22	\$147.16
2.0"F NPT x 1.5"M NPSH	NPT/NPSH	Tall	Long	Chrome	01.055.23	\$151.46
2.0"F NPT x 1.5"M NPSH	NPT/NPSH	Tall	Long	Brass	01.055.25	\$142.86
2.0"F NPT x 1.5"M NH	NPT/NH	Short	Short	Chrome	01.055.29	\$140.71
2.0" Victaulic x 1.5"M NH	VIC/NH	Tall	Long	Chrome	01.055.24	\$184.75
2.5"F NPT x 2.5"M NH	NPT/NH	Tall	Long	Brass	01.086.7	\$392.06
2.5"F NPT x 2.5"M NH	NPT/NH	Tall	Long	Chrome	01.086.8	\$418.92

1



2



3



4



5



Chicksan Elbows

# Front Suction Elbows

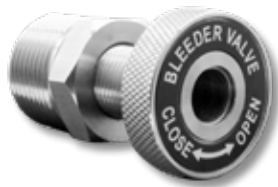
Suction Elbows - 90 Degree Swivel



Description	Thread	Drain	Design	Finish	Part #	Price
<b>Front Intake Swivel Elbow - 90° (NPT)</b>						
5.0" Rigid F NPT x 5.0"M NH, Chromed Brass	NPT/NH	Plugged	w/Lock	Chrome	01.014.0	\$1,869.02
5.0" Rigid F NPT x 5.0"M NH, Chromed Brass (.75" Bleeder)	NPT/NH	Valve	w/Lock	Chrome	01.014.15	\$1,911.99
5.0" Rigid F NPT x 5.0"M NH, Cast Brass, Paintable	NPT/NH	Plugged	w/Lock	As Cast	01.014.56	\$1,826.06
5.0" Rigid F NPT x 5.0"M NH, Cast Brass, Paintable (.75" Bleeder)	NPT/NH	Valve	w/Lock	As Cast	01.014.58	\$1,869.02
5.0" Rigid F NPT x 6.0"M NH, Chromed Brass	NPT/NH	Plugged	w/Lock	Chrome	01.013.0	\$1,869.02
5.0" Rigid F NPT x 6.0"M NH, Chromed Brass (.75" Bleeder)	NPT/NH	Valve	w/Lock	Chrome	01.013.15	\$1,911.99
5.0" Rigid F NPT x 6.0"M NH, Cast Brass, Paintable	NPT/NH	Plugged	w/Lock	As Cast	01.013.56	\$1,826.06
5.0" Rigid F NPT x 6.0"M NH, Cast Brass, Paintable (.75" Bleeder)	NPT/NH	Valve	w/Lock	As Cast	01.013.58	\$1,869.02

## Shown Below ▼

- ▶ Supplied with .75" Recessed Socket Head Stainless Steel Plug
- ▶ Optional Compact Bleeder Valve Assembly. *(Also available separately as Part Number 30.046.0, Shown below)*
- ▶ All Bases are Provided with Holes for a Spanner Wrench (Part Number 29.001.0) to Assist with Tightening
- ▶ Includes Suction Strainer and Retaining Ring



Front Suction Elbows

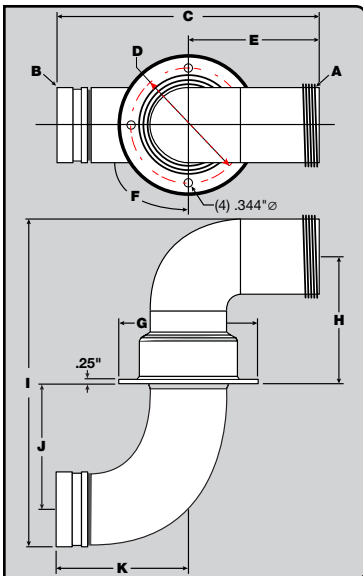
# Front Discharge Elbows

Stainless Steel Discharge Elbows - 90° Bend - 360° Swivel



**Stainless Steel Front Bumper Discharge Elbows**

Part Number	Price	A	B	C	D	E	F	G	H	I	J	K
01.109.10	\$368.79	1.5" NH	2" Vic	8"	3.85"	3"	45°	4.82"	3.25"	8.93"	3.5"	5"
01.109.3	\$326.64	1.5" NH	2" Vic	8"	3.85"	3"	45°	4.82"	3.25"	10.43"	5"	5"
01.109.4	\$379.33	1.5" NH	2" Vic	8"	3.85"	3"	45°	4.82"	3.25"	12.93"	7.5"	5"
01.111.3	\$537.38	2.5" NH	2.5" Vic	10"	4.35"	5"	90°	5.32"	4.84"	12.52"	4.75"	5"
01.111.5	\$558.46	2.5" NH	2.5" Vic	10"	4.35"	5"	90°	5.32"	4.84"	15.58"	7.5"	5"



### Product Features

1. These discharge elbows are 100% Type 304 Stainless Steel construction.
2. Exposed areas above bumper feature a highly polished (Chrome like) finish.
3. Various drop and extension configurations available to accommodate most installations.
4. No painting required.
5. No assembly required, ready to connect with Victaulic™ coupling.
6. Vented NH threads are standard on all models, US Patent #7,416,223.
7. Pre-drilled polished Stainless Steel mounting flange.
8. 360° Swivel with Stainless Steel ball bearings.
  - ▶ Single ball race on 1.5"
  - ▶ Double ball race on 2.5"
9. Meets all NFPA requirements.
10. Pressure tested to 700 PSIG.

### Installation Notes

1. Elbow inlet is configured with either a 2" (on 1.5" models) or 2.5" Victaulic™ coupling for ease of installation.

**Discharge Elbows**  
Refer to diagram at left to obtain the various dimensions for these elbows.

**Front Discharge Elbows**

# Control Valves

AirMax Intake Relief Valves



Description	Outlet	Type	Control	Part #	Price
<b>Intake Relief Valve - Air Operated - Remotely Adjustable</b>					
Intake Relief Valve, Flange Mount x 2.5" M NPT, 1 Location	NPT Male	Air Powered	Remote	30.004.5	\$842.95
Intake Relief Valve, Flange Mount x 2.5" M NPT, 2 Locations	NPT Male	Air Powered	Remote	30.004.12	\$1,527.85
Intake Relief Valve, Flange Mount x 2.5" M NPT, 3 Locations	NPT Male	Air Powered	Remote	30.004.13	\$2,212.75
Intake Relief Valve, Flange Mount x 2.5" M NPT, 4 Locations	NPT Male	Air Powered	Remote	30.003.14	\$2,897.65
Intake Relief Valve, Flange Mount x 2.5" Victaulic, 1 Location	Victaulic	Air Powered	Remote	30.004.6	\$842.95
Intake Relief Valve, Flange Mount x 2.5" Victaulic, 2 Locations	Victaulic	Air Powered	Remote	30.004.9	\$1,527.85
Intake Relief Valve, Flange Mount x 2.5" Victaulic, 3 Locations	Victaulic	Air Powered	Remote	30.004.15	\$2,212.75
Intake Relief Valve, Flange Mount x 2.5" Victaulic, 4 Locations	Victaulic	Air Powered	Remote	30.004.16	\$2,897.65

A simple air regulator is used to adjust the cracking pressure for this innovative suction side intake relief valve. The air spring allows the relief valve to open fully regardless of the set cracking pressure, unlike ordinary mechanical springs that produce an increasing force as they are forced open. Full opening allows for the maximum flow of water through the valve. More water flow means more pressure protection for personnel and equipment.

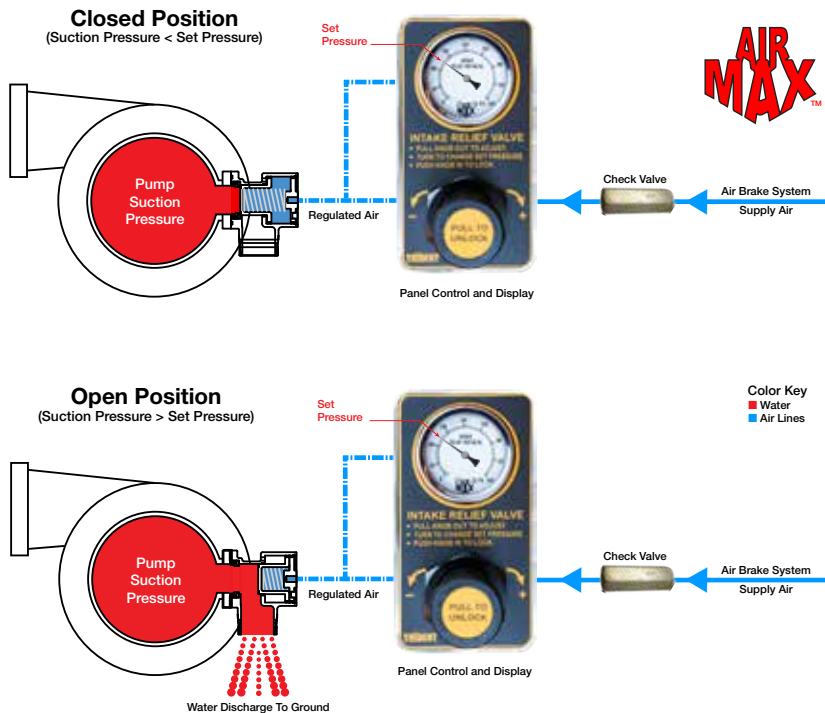
## Control Valve Product Features

- ▶ Flow up to 750GPM
- ▶ Pressure Range of 50-300PSI
- ▶ Remote Control Air Operated with Variable Adjustment. Includes Air Regulator
- ▶ Exceeds the NFPA Standard
- ▶ Outlet Configured as 2.5" Male NPT or 2.5" Victaulic
- ▶ Four Bolt Mounting Flange
- ▶ Self Draining
- ▶ All Brass and Stainless Steel Construction
- ▶ Corrosion Resistant

### ▼ Shown Below

Kit Includes Panel Mount Bezel, Nameplate, Regulator, Regulator Nut, Pressure Gauge, Check Valve, Elbows, Gauge Airline and Mounting Hardware.

Intake Relief Valves





# Control Valves

Valves and Drains

Description	Threads	Design	Finish	Part #	Price
<b>Brass Control Valves - NPT x NPT - Straight</b>					
Bleeder/Drain Valve, .25", Brass, Straight, Rectangle Handle	NPT	Straight	Chrome	30.008.1	\$43.46
Bleeder/Drain Valve, .25", Brass, Straight, Round Handle	NPT	Straight	Chrome	30.008.2	\$46.10
Bleeder/Drain Valve, .375", Brass, Straight, Rectangle Handle	NPT	Straight	Chrome	30.018.1	\$44.52
Bleeder/Drain Valve, .375", Brass, Straight, Round Handle	NPT	Straight	Chrome	30.018.2	\$46.89
Bleeder/Drain Valve, .50", Brass, Straight, Rectangle Handle	NPT	Straight	Chrome	30.007.1	\$46.36
Bleeder/Drain Valve, .50", Brass, Straight, Round Handle	NPT	Straight	Chrome	30.007.2	\$48.73
Bleeder/Drain Valve, .75", Brass, Straight, Rectangle Handle	NPT	Straight	Chrome	30.006.1	\$59.27
Bleeder/Drain Valve, .75", Brass, Straight, Round Handle	NPT	Straight	Chrome	30.006.4	\$61.90
Bleeder/Drain Valve, .75", Brass, Straight, Lever Handle	NPT	Straight	Chrome	30.045.1	\$59.27
Bleeder/Drain Valve, 1.0", Brass, Straight, Rectangle Handle	NPT	Straight	Chrome	30.022.1	\$69.81
Bleeder/Drain Valve, 1.0", Brass, Straight, Round Handle	NPT	Straight	Chrome	30.022.2	\$72.44
<b>Brass Control Valves - NPT x NPT - 90 Degrees</b>					
Bleeder/Drain Valve, .75", Brass, 90°, Rectangle Handle	NPT	90°	Chrome	30.002.1	\$63.89
Bleeder/Drain Valve, .75", Brass, 90°, Round Handle	NPT	90°	Chrome	30.002.7	\$66.52
Bleeder/Drain Valve, .75", Brass, 90°, Lever Handle	NPT	90°	Chrome	30.044.1	\$63.89
Bleeder/Drain Valve, 1.0", Brass, 90°, Rectangle Handle	NPT	90°	Chrome	30.019.2	\$82.98
Bleeder/Drain Valve, 1.0", Brass, 90°, Round Handle	NPT	90°	Chrome	30.019.3	\$85.88
<b>.75" Compact S/S Petcock Valve - Round Handle</b>					
Compact Drain Valve - .75" Male NPT Mounting	NPT	Compact	Stainless	30.046.0	\$39.25



## Automatic Drain Valves

Description	Threads	Design	Finish	Part #	Price
Automatic Drain Valve, .75", Brass	NPT	Discharge	Brass	30.049.1	\$46.10
.75"M x .75"M 90° Brass Elbow, Changes Orientation of 30.049.1	NPT		Brass	09.087.0	\$9.48
Automatic Drain Valve, .75", Brass, w/90° Nylon Discharge Elbow	NPT	Discharge	Brass	30.049.2	\$48.47



## Master Drain Valves

Description	Threads	Design	Finish	Part #	Price
Master Drain, 10PE, Enclosed, Chrome Handle, 600 PSI	NPT	10 Port	Chrome	30.009.2	\$225.49
Master Drain, 10PE, High PSI, Enclosed, Alum Handle, 2000 PSI	NPT	10 Port	Aluminum	30.009.4	\$322.69
Master Drain, 12PE, Enclosed, Chrome Handle, 600 PSI	NPT	12 Port	Chrome	30.001.7	\$269.74
Master Drain, Cable Operated, Chrome T Handle on Panel	NPT	8 Port	Chrome	30.048.0	\$366.68
Master Drain, Air Operated, Switch Placard on Panel	NPT	8 Port	Plastic	30.052.0	\$484.70



## Nickel Plated Threaded Ball Valves

Description	Threads	Type	Finish	Part #	Price
1.0" Ball Valve, Brass	NPT	¼ Turn	Ni Plated	30.056.0	\$26.34
1.5" Ball Valve, Brass	NPT	¼ Turn	Ni Plated	30.057.0	\$52.68
2.0" Ball Valve, Brass	NPT	¼ Turn	Ni Plated	30.058.0	\$79.03
2.5" Ball Valve, Brass	NPT	¼ Turn	Ni Plated	30.059.0	\$158.05
3.0" Ball Valve, Brass	NPT	¼ Turn	Ni Plated	30.060.0	\$221.27
4.0" Ball Valve, Brass	NPT	¼ Turn	Ni Plated	30.061.0	\$368.79

Valves

# Hardware

## Pump Panel Equipment



Description	Threads	Design	Finish	Part #	Price
<b>Gauge Test Port Panel</b>					
Gauge Test Panel, Horizontal Mount, w/Decal	.25" NPT	Horizontal	Chrome	14.003.0	\$44.78
Gauge Test Panel, Vertical Mount, w/Decal	.25" NPT	Vertical	Chrome	14.003.2	\$44.78
<b>Gauge Test Port Panel - Run Tees</b>					
Gauge Test Panel, 0.25" NPT, Push Tees, Horizontal Mount	.25" NPT	Push-On	Brass	14.003.1	\$66.91
Gauge Test Panel, 0.25" NPT, Push Tees, Vertical Mount	.25" NPT	Push-On	Brass	14.003.3	\$66.91
<b>Gauge Test Port Panel - Bulkhead Fitting</b>					
Gauge Test Panel, 0.25" NPT, Bulkhead Fitting Assembly	.25" NPT	Bulkhead	Brass	09.023.0	\$18.44
Gauge Test Panel, 0.25" NPT, Bulkhead Fitting Assembly, w/Plug	.25" NPT	Bulkhead	Brass	09.023.1	\$19.10

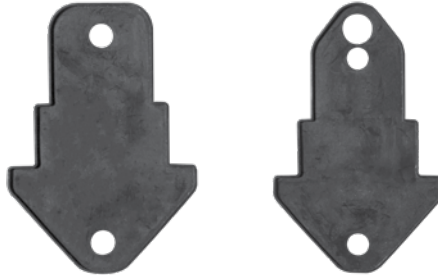
## Panel Mounted Strainer



Description	Threads	Design	Finish	Part #	Price
<b>Panel Mounted Strainer</b>					
Strainer, Panel Mount, 2.0", 10 Mesh (Foam), 2.0" Chrome Cap	2.0" NH	10 Mesh	Brass	21.005.2	\$401.46
Strainer, Panel Mount, 2.0", 20 Mesh (Water), 2.0" Chrome Cap	2.0" NH	20 Mesh	Brass	21.005.3	\$401.46

## Folding Steps

Description	Type	Design	Finish	Part #	Price
<b>Folding Steps</b>					
Folding Step, NFPA Compliant, Luminescent Tread	Folding	Flip Down	Silver	24.005.1	\$115.91
Folding Step, NFPA Compliant, Black Tread	Folding	Flip Down	Silver	24.005.5	\$115.91
Folding Step, NFPA Compliant, Black Tread, "LED Lighted"	Folding	Flip Down	Silver	24.005.3	\$124.34
Folding Step Mounting Gasket, Non Lighted Step	Lighted Step	Molded	Rubber	03.022.0	\$7.38
Folding Step Mounting Gasket, Lighted Step	Non-Lighted Step	Molded	Rubber	03.022.1	\$7.38



Hardware





# Valve Operators

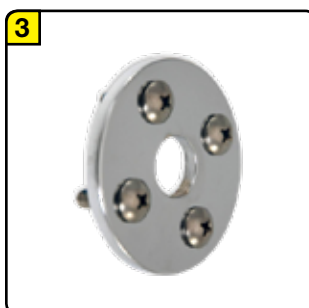
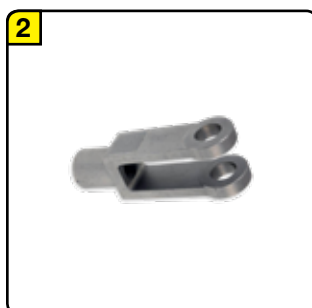
Top Mount Conventional Controls

Description	Type	Design	Finish	Part #	Price
<b>Top Mount Pump Panel Control Handles</b>					
Control Assembly, Top Mount Pump, 135°, Locking Handle	135°	Top Mount	Chrome	27.004.1	\$218.64
Control Assembly, Top Mount Pump, 90°, Locking Handle	90°	Top Mount	Chrome	27.004.3	\$218.64
Bell Crank Assembly, Top Mount Pump, Control Assembly		Top Mount	Stainless	27.004.2	\$110.64



## Side Mount Conventional Controls

Description	Stroke	Design	Finish	Part #	Price
<b>Side Mount Pump Panel Control Handles</b>					
	Maximum Length				
Pull T-Handle Assembly, 6.6" .50" Rigid Male	6.6"	Pull Rod	Chrome	33.001.23	\$80.34
Pull T-Handle Assembly, 8.4" .50"-20 F, Rigid Bore	8.4"	Pull Rod	Chrome	33.001.22	\$80.34
Pull T-Handle Assembly, 8.4" .50"-20 F, Threaded Swivel	8.4"	Pull Rod	Chrome	33.001.15	\$104.05
Pull T-Handle Assembly, 9.3" .50"-20 F, Threaded Swivel	9.3"	Pull Rod	Chrome	33.001.9	\$96.15
Pull T-Handle Assembly, 10.4" .50"-20 F, Threaded Swivel	10.4"	Pull Rod	Chrome	33.001.21	\$90.88
Pull T-Handle Assembly, 10.4" .50" Rigid Male	10.4"	Pull Rod	Chrome	33.001.11	\$93.25
Pull T-Handle Assembly, 10.4" .50" Clevis	10.4"	Pull Rod	Chrome	33.001.14	\$120.12
Pull T-Handle Assembly, 10.4" .50"-20 M, Threaded Swivel	10.4"	Pull Rod	Chrome	33.001.24	\$97.47
Pull T-Handle Assembly, 12.4" .50"-20 F, Threaded Swivel	12.4"	Pull Rod	Chrome	33.001.10	\$101.42
<b>Side Mount Pump Panel - Control Handle Accessories</b>					
Pull Rod Swivel, Ball Swivel, 90°, .50"-20 M x FM, Brass	Swivel	<b>1</b> 90°	Chrome	05.010.0	\$12.12
Pull Rod Clevis Yoke	Rigid	<b>2</b> Straight	Stainless	05.008.1	\$13.12
Pull T-Handle, Panel Garnish Ring, 4-Bolt Mount, Brass	Pull	<b>3</b> 4-Bolt	Chrome	08.009.0	\$15.81
Pull T-Handle, .375"-24 Threaded Bore	Pull	<b>4</b> Threaded	Chrome	19.005.2	\$22.13
Pull T-Handle, .50" Bore	Pull	<b>4</b> .50"	Chrome	19.005.1	\$21.07
Pull T-Handle, .75" Bore	Pull	<b>4</b> .75"	Chrome	19.005.0	\$21.07
Pull Rod Guide Bushing - .50" Bore, Nylon Bushing (non-locking)	Panel	<b>5</b> .50"	Chrome	07.010.2	\$23.71
Guide Housing Subassembly, .75" w/Bushings and Lock		<b>6</b>	Hard Coat	07.010.4	\$36.77
Universal Joint, .50" x .50"	U Joint	<b>7</b> .50"	Brass	17.013.0	\$47.42



Valve Operators

## Valve Position Indicating Hand-Wheels

- ▶ Tru-Flo™ is a Slow-Close valve control designed specifically for fire apparatus valves. This patented Hand-Wheel and Dial Indicator utilizes magnets to maintain the dial face in a stationary and readable orientation as the Hand-Wheel is rotated to fully open or closed valve positions
- ▶ The Hand-Wheel can be mounted in any orientation, including horizontally for side mount control panels or vertically for top mount control panels
- ▶ The indicating gauge is sealed and constructed of a polycarbonate, non-yellowing lens and case. The entire unit is corrosion resistant with brass and stainless steel components. The Hand-Wheel assembly incorporates four separate low friction bearings for smooth operation
- ▶ Available with NFPA color identification label



▲ **Shown Above**

Each Handwheel Kit includes two .50" Universal Joints.  
Part Number: 17.013.0

▼ **Shown Below**

Constructed entirely from non corrosive materials.





# Valve Operators

Valve Position Indicating Hand-Wheels

Description	Color Choice	8:1 Ratio	9:1 Ratio	12:1 Ratio	16:1 Ratio
4" Diameter Stainless Steel Handwheel	Select Color	Part Number	Part Number	Part Number	Part Number
4" Position Indicating Handwheel Kit w/2 Swivel Joints	Orange	19.408.0	19.409.0	19.412.0	19.416.0
4" Position Indicating Handwheel Kit w/2 Swivel Joints	Red	19.408.1	19.409.1	19.412.1	19.416.1
4" Position Indicating Handwheel Kit w/2 Swivel Joints	Yellow	19.408.2	19.409.2	19.412.2	19.416.2
4" Position Indicating Handwheel Kit w/2 Swivel Joints	White	19.408.3	19.409.3	19.412.3	19.416.3
4" Position Indicating Handwheel Kit w/2 Swivel Joints	Blue	19.408.4	19.409.4	19.412.4	19.416.4
4" Position Indicating Handwheel Kit w/2 Swivel Joints	Black	19.408.5	19.409.5	19.412.5	19.416.5
4" Position Indicating Handwheel Kit w/2 Swivel Joints	Green	19.408.6	19.409.6	19.412.6	19.416.6
4" Position Indicating Handwheel Kit w/2 Swivel Joints	Silver	19.408.7	19.409.7	19.412.7	19.416.7
4" Position Indicating Handwheel Kit w/2 Swivel Joints	Purple	19.408.8	19.409.8	19.412.8	19.416.8
4" Position Indicating Handwheel Kit w/2 Swivel Joints	Yellow/White	19.408.9	19.409.9	19.412.9	19.416.9
4" Position Indicating Handwheel Kit w/2 Swivel Joints	Red/White	19.408.10	19.409.10	19.412.10	19.416.10
4" Position Indicating Handwheel Kit w/2 Swivel Joints	Gray	19.408.11	19.409.11	19.412.11	19.416.11
4" Position Indicating Handwheel Kit w/2 Swivel Joints	Burgundy	19.408.12	19.409.12	19.412.12	19.416.12
4" Position Indicating Handwheel Kit w/2 Swivel Joints	Brown	19.408.13	19.409.13	19.412.13	19.416.13
4" Position Indicating Handwheel Kit w/2 Swivel Joints	Gold	19.408.14	19.409.14	19.412.14	19.416.14
4" Position Indicating Handwheel Kit w/2 Swivel Joints	Magenta	19.408.15	19.409.15	19.412.15	19.416.15

Description	Color Choice	8:1 Ratio	9:1 Ratio	12:1 Ratio	16:1 Ratio
6" Diameter Stainless Steel Handwheel	Select Color	Part Number	Part Number	Part Number	Part Number
6" Position Indicating Handwheel Kit w/2 Swivel Joints	Orange	19.608.0	19.609.0	19.612.0	19.616.0
6" Position Indicating Handwheel Kit w/2 Swivel Joints	Red	19.608.1	19.609.1	19.612.1	19.616.1
6" Position Indicating Handwheel Kit w/2 Swivel Joints	Yellow	19.608.2	19.609.2	19.612.2	19.616.2
6" Position Indicating Handwheel Kit w/2 Swivel Joints	White	19.608.3	19.609.3	19.612.3	19.616.3
6" Position Indicating Handwheel Kit w/2 Swivel Joints	Blue	19.608.4	19.609.4	19.612.4	19.616.4
6" Position Indicating Handwheel Kit w/2 Swivel Joints	Black	19.608.5	19.609.5	19.612.5	19.616.5
6" Position Indicating Handwheel Kit w/2 Swivel Joints	Green	19.608.6	19.609.6	19.612.6	19.616.6
6" Position Indicating Handwheel Kit w/2 Swivel Joints	Silver	19.608.7	19.609.7	19.612.7	19.616.7
6" Position Indicating Handwheel Kit w/2 Swivel Joints	Purple	19.608.8	19.609.8	19.612.8	19.616.8
6" Position Indicating Handwheel Kit w/2 Swivel Joints	Yellow/White	19.608.9	19.609.9	19.612.9	19.616.9
6" Position Indicating Handwheel Kit w/2 Swivel Joints	Red/White	19.608.10	19.609.10	19.612.10	19.616.10
6" Position Indicating Handwheel Kit w/2 Swivel Joints	Gray	19.608.11	19.609.11	19.612.11	19.616.11
6" Position Indicating Handwheel Kit w/2 Swivel Joints	Burgundy	19.608.12	19.609.12	19.612.12	19.616.12
6" Position Indicating Handwheel Kit w/2 Swivel Joints	Brown	19.608.13	19.609.13	19.612.13	19.616.13
6" Position Indicating Handwheel Kit w/2 Swivel Joints	Gold	19.608.14	19.609.14	19.612.14	19.616.14
6" Position Indicating Handwheel Kit w/2 Swivel Joints	Magenta	19.608.15	19.609.15	19.612.15	19.616.15

Ratio	Valve Manufacturer
8:1	Waterous (old)
9:1	Hale, Elkhart, Waterous (new), Jamesbury Butterfly
12:1	Akron #8840, Elkhart Uni-Body
16:1	Akron #7840

**Suggested Handwheel for Valve Size**

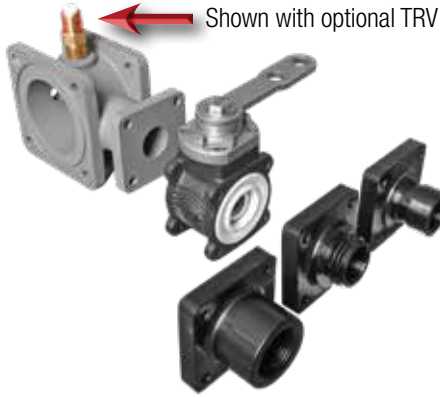
- ▶ 4" Hand-Wheel for 1.5" to 2.5" valves
- ▶ 6" Hand-Wheel for 3" to 6" valves
- ▶ Hand-Wheels include 2 Universal Joints
- ▶ Ratio is the number of turns to bring the valve from fully closed to full open

Size (Any Color)	List Price
4"	\$684.90
6"	\$711.24

Valve Operators

# Wildland

## Manifolds and Swing Out Aluminum Valves

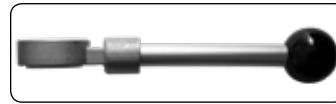


### Ball Valves

- ▶ 4-Bolt Swing-Out Type Valves
- ▶ Aluminum Body
- ▶ Stainless Steel Ball
- ▶ Replaceable Ball Seats
- ▶ Hard Coat Anodized Body

### Manifold and End Caps

- ▶ Aluminum Hard Anodized
- ▶ Bolt Together Assembly
- ▶ O-Ring Seals Between Sections
- ▶ Valve Ends: NPT, NST, Victaulic
- ▶ Threaded .375" NPT Tap for Drain or TRV
- ▶ Bolted Manifold End Caps



▲ **Optional Handle**  
For Aluminum Valves  
Part Number: 19.025.1



Description	Size	Type	Finish	Part #	Price
<b>1.0" Aluminum Ball Valve - Valve Ends - Manifold</b>					
1.0" Ball Valve, S/S Ball, Swing-Out, Aluminum Body	1.0"	4-Bolt	Hard Coat	30.036.2	\$305.57
1.0" Female NPT x 4-Bolt Flange Valve End, Aluminum	1.0"	Valve End	Hard Coat	09.064.0	\$31.61
1.0" Victaulic x 4-Bolt Flange Valve End, Aluminum	1.0"	Valve End	Hard Coat	09.064.1	\$31.61
1.0" Male NH x 4-Bolt Flange Valve End, Aluminum	1.0"	Valve End	Hard Coat	09.064.2	\$33.72
1.0" Male NPSH x 4-Bolt Flange Valve End, Aluminum	1.0"	Valve End	Hard Coat	09.064.4	\$33.72
1.0" Barbed x 4-Bolt Flange Valve End, Aluminum	1.0"	4-Bolt	Hard Coat	09.064.6	\$40.04
1.0" Manifold, (1) 1.0" x (2) 2.5" all 4-Bolt Flanges, Aluminum	1.0"	4-Bolt	Hard Coat	07.028.11	\$108.64
<b>1.5" Aluminum Ball Valve - Valve Ends - Manifold</b>					
1.5" Ball Valve, S/S Ball, Swing-Out, Aluminum Body	1.5"	4-Bolt	Hard Coat	30.037.2	\$308.73
1.5" Female NPT x 4-Bolt Flange Valve End, Aluminum	1.5"	Valve End	Hard Coat	09.065.0	\$36.88
1.5" Victaulic x 4-Bolt Flange Valve End, Aluminum	1.5"	Valve End	Hard Coat	09.065.1	\$36.88
1.5" Male NH x 4-Bolt Flange Valve End, Aluminum	1.5"	Valve End	Hard Coat	09.065.2	\$38.99
1.5" Male NPSH x 4-Bolt Flange Valve End, Aluminum	1.5"	Valve End	Hard Coat	09.065.4	\$38.99
1.5" Barbed x 4-Bolt Flange Valve End, Aluminum	1.5"	4-Bolt	Hard Coat	09.065.6	\$49.52
1.5" Manifold, (1) 1.5" x (2) 2.5" all 4-Bolt Flanges, Aluminum	1.5"	4-Bolt	Hard Coat	07.028.16	\$116.12
<b>2" Aluminum Ball Valve - Valve Ends - Manifold</b>					
2.0" Ball Valve, S/S Ball, Swing-Out, Aluminum Body	2"	4-Bolt	Hard Coat	30.016.2	\$326.64
2.0" Female NPT x 4-Bolt Flange Valve End, Aluminum	2"	Valve End	Hard Coat	09.066.0	\$42.15
2.0" Victaulic x 4-Bolt Flange Valve End, Aluminum	2"	Valve End	Hard Coat	09.066.1	\$42.15
2.5" Male NH x 4-Bolt Flange Valve End, Aluminum	2"	Valve End	Hard Coat	09.066.2	\$44.25
2.0" Manifold, (1) 2" x (2) 2.5" all 4-Bolt Flanges, Aluminum	2"	4-Bolt	Hard Coat	07.028.21	\$130.50
<b>2½" Aluminum Ball Valve - Valve Ends - Manifold</b>					
2.5" Ball Valve, S/S Ball, Swing-Out, Aluminum Body	2.5"	4-Bolt	Hard Coat	30.038.2	\$368.79
2.5" Female NPT x 4-Bolt Flange Valve End, Aluminum	2.5"	Valve End	Hard Coat	09.067.0	\$47.42
2.5" Victaulic x 4-Bolt Flange Valve End, Aluminum	2.5"	Valve End	Hard Coat	09.067.1	\$47.42
2.5" Male NH x 4-Bolt Flange Valve End, Aluminum	2.5"	Valve End	Hard Coat	09.067.2	\$49.52
2.5" Female Swivel x 4-Bolt Flange Valve End, Aluminum	2.5"	Valve End	Hard Coat	09.067.6	\$101.15
3.0" Victaulic x 4-Bolt Flange Valve End, Aluminum	3.0" VIC	Valve End	Hard Coat	09.067.7	\$54.79
2.5" Manifold, (1) 2.5" Valve x (2) 2.5" 4-Bolt Flanges, Aluminum	2.5"	4-Bolt	Hard Coat	07.028.26	\$143.72
<b>Aluminum Manifolds - Discharge and Suction Tee</b>					
2.5" Discharge Tee Manifold, Aluminum	2.5"	4-Bolt	Hard Coat	07.028.1	\$152.63
2.5" Suction Tee Manifold, Aluminum	2.5"	4-Bolt	Hard Coat	07.029.1	\$178.81
<b>Valve Handle for 1.0", 1.5", 2.0", 2.5" Aluminum Valves</b>					
Handle, Aluminum with Round Knob	Multiple Valves		Aluminum	19.025.1	\$68.49



### Ball Valves

- ▶ Threaded Ball Valves
- ▶ Brass Body With Nickel Plating
- ▶ Chrome Plated Brass Ball
- ▶ Teflon Ball Seats
- ▶ Rated to 375-PSIG

### Manifold and End Caps

- ▶ Aluminum Hard Anodized
- ▶ Bolt Together Assembly
- ▶ O-Ring Seals Between Sections
- ▶ Valve Ends: NPT, NST, Victaulic
- ▶ Threaded .375" NPT Tap for Drain or TRV
- ▶ Bolted Manifold End Caps



Description	Size	Type	Finish	Part #	Price
<b>1.0" Brass Valve-Threaded Adapters-Aluminum Manifold</b>					
1.0" Ball Valve, NPT Female Both Ends, Brass	1"	Threaded	Ni Plated	30.056.0	\$26.34
1.0"M NPT x 1.0" Victaulic, Adapter, Brass	1"	Threaded	Brass	09.017.6	\$21.07
1.0"M NPT x 1.0"M NH, Adapter, Brass	1"	Threaded	Chrome	01.164.1	\$25.95
1.0"M NPT x 1.0"M NPSH, Adapter, Brass	1"	Threaded	Brass	01.164.11	\$25.95
Manifold, 1.0"M NPT x (2) 2.5" 4-Bolt Flanges, Aluminum	1"	4-Bolt, Thread	Hard Coat	07.030.11	\$108.37
<b>1.5" Brass Valve-Threaded Adapters-Aluminum Manifold</b>					
1.5" Ball Valve, NPT Female Both Ends, Brass	1.5"	Threaded	Ni Plated	30.057.0	\$52.68
1.5"M NPT x 1.5" Victaulic, Adapter, Brass	1.5"	Threaded	Brass	09.017.0	\$32.14
1.5"M NPT x 1.5"M NH, Adapter, Brass	1.5"	Threaded	Chrome	01.073.0	\$59.01
1.5"M NPT x 1.5"M NST, Adapter, Brass	1.5"	Threaded	Brass	01.073.11	\$37.93
1.5"M NPT x 1.5"F Swivel NH, Adapter, Brass	1.5"	Threaded	Chrome	01.155.5	\$189.66
1.5"M NPT x 1.5"M NPSH, Adapter, Brass	1.5"	Threaded	Brass	01.073.31	\$37.93
Manifold, 1.5"M NPT x (2) 2.5" 4-Bolt Flanges, Aluminum	1.5"	4-Bolt, Thread	Hard Coat	07.030.16	\$111.64
<b>2.0" Brass Valve-Threaded Adapters-Aluminum Manifold</b>					
2.0" Ball Valve, NPT Female Both Ends, Brass	2"	Threaded	Ni Plated	30.058.0	\$79.03
2.0"M NPT x 2.0" Victaulic, Adapter, Brass	2"	Threaded	Brass	09.017.1	\$43.20
2.0"M NPT x 2.5"M NH, Adapter, Brass	2.5"	Threaded	Chrome	01.136.0	\$73.76
Manifold, 2.0"M NPT x (2) 2.5" 4-Bolt Flanges, Aluminum	2"	4-Bolt, Thread	Hard Coat	07.030.21	\$120.23
<b>2.5" Brass Valve-Threaded Adapters-Aluminum Manifold</b>					
2.5" Ball Valve, NPT Female Both Ends, Brass	2.5"	Threaded	Ni Plated	30.059.0	\$158.05
2.5"M NPT x 2.5" Victaulic, Adapter, Brass	2.5"	Threaded	Brass	09.017.2	\$64.28
2.5"M NPT x 2.5"M NH, Adapter, Brass	2.5"	Threaded	Chrome	01.011.10	\$104.58
2.5"M NPT x 2.5"F Swivel NH, Adapter, Brass	2.5"	Threaded	Chrome	01.154.5	\$218.64
3.0"M NPT x 3.0" Victaulic, Adapter, Brass	3.0"	Threaded	Brass	09.017.3	\$72.70
Manifold, 2.5"M NPT x (2) 2.5" 4-Bolt Flanges, Aluminum	2.5"	4-Bolt, Thread	Hard Coat	07.030.26	\$122.65
<b>90° Swivel Elbows - 1.0" Compact</b>					
1.0"F NPT x 1.0"M NH	1.0"	Threaded	Stainless	01.186.0	\$98.78
1.0"F NPT x 1.0"M NPSH	1.0"	Threaded	Stainless	01.186.1	\$98.78

### Product Features

- ▶ Rocker Lug
- ▶ Ball Type Chain
- ▶ Coated Cable Retainer Available
- ▶ Lightweight and High Strength
- ▶ Vented Threads (Except Garden Hose)
- ▶ Garden Hose Threads on Adapters
- ▶ NH and NPSH Threads
- ▶ Hard Anodized Finish Aluminum

Description	Notes	Type	Finish	Part #	Print
<b>Aluminum Caps</b> <span style="float: right;">1</span>					
1.0" NPSH, Aluminum	Chain	Rocker Lug	Hard Coat	01.094.20	\$23.18
1.0" NH, Aluminum	Chain	Rocker Lug	Hard Coat	01.081.20	\$23.18
1.5" NH, Aluminum	Chain	Rocker Lug	Hard Coat	01.005.20	\$25.29
2.5" NH, Aluminum	Chain	Rocker Lug	Hard Coat	01.006.20	\$36.88
3.0" NH, Aluminum	Chain	Rocker Lug	Hard Coat	01.015.20	\$61.11
<b>Aluminum Plugs</b> <span style="float: right;">2</span>					
1.0" NH, Aluminum	Chain	Rocker Lug	Hard Coat	01.103.20	\$26.34
1.5" NH, Aluminum	Chain	Rocker Lug	Hard Coat	01.048.20	\$31.61
2.5" NH, Aluminum	Chain	Rocker Lug	Hard Coat	01.007.20	\$42.15
<b>Aluminum Double Male and Female Adapters</b> <span style="float: right;">3</span>					
1.5" Double Male NH, Aluminum	Double Male	Rocker Lug	Hard Coat	01.062.20	\$21.07
2.5" Double Male NH, Aluminum	Double Male	Rocker Lug	Hard Coat	01.011.20	\$30.56
1.5" Double Female NH, Aluminum	Double Female	Rocker Lug	Hard Coat	01.060.20	\$36.88
2.5" Double Female NH, Aluminum	Double Female	Rocker Lug	Hard Coat	01.012.20	\$62.17
<b>Aluminum Reducing Adapters</b> <span style="float: right;">4</span>					
1.0"F NH x 0.75"M GHT Reducer, Aluminum	Reducer	Rocker Lug	Hard Coat	01.168.20	\$23.71
1.5"F NH x 1.0"M NH Reducer, Aluminum	Reducer	Rocker Lug	Hard Coat	01.107.20	\$26.34
1.5"F NH x 0.75"M GHT Reducer, Aluminum	Reducer	Rocker Lug	Hard Coat	01.093.20	\$26.34
1.5"F NPSH x 1.5"M NH, Aluminum	Adapter	Rocker Lug	Hard Coat	01.089.6	\$24.23
1.5"F NH x 1.5"M NPSH, Aluminum	Adapter	Rocker Lug	Hard Coat	01.089.10	\$24.23
2.5"F NH x 0.75"M GHT Reducer, Aluminum	Reducer	Rocker Lug	Hard Coat	01.151.20	\$34.77
2.5"F NH x 1.0"M NH Reducer, Aluminum	Reducer	Rocker Lug	Hard Coat	01.169.20	\$43.20
2.5"F NH x 1.5"M NH Reducer, Aluminum	Reducer	Rocker Lug	Hard Coat	01.008.20	\$29.50





Description	Notes	Type	Finish	Part #	Price
<b>Electric Valve Controllers and Switches</b>					
1" Alum Ball Valve Control, 12 Volt, Full Open-Full Close Only	1.0" Valve	Electric		25.002.0	\$790.27
1" Alum Ball Valve Control, 12 Volt, Position Indicating, Gated	1.0" Valve	Electric		25.002.1	\$895.64
1.5" Alum Ball Valve Control, 12 Volt, Full Open-Full Close Only	1.5" Valve	Electric		25.003.0	\$895.64
1.5" Alum Ball Valve Control, 12 Volt, Position Indicating, Gated	1.5" Valve	Electric		25.003.1	\$1,159.06
2" Alum Ball Valve Control, 12 Volt, Full Open-Full Close Only	2.0" Valve	Electric		25.004.0	\$956.22
2" Alum Ball Valve Control, 12 Volt, Position Indicating, Gated	2.0" Valve	Electric		25.004.1	\$1,159.06
2.5" Alum Ball Valve Control, 12 Volt, Full Open-Full Close Only	2.5" Valve	Electric		25.005.0	\$1,554.19
2.5" Alum Ball Valve Control, 12 Volt, Position Indicating, Gated	2.5" Valve	Electric		25.005.1	\$2,233.82
Control Switch, 12 Volt, Position Indicating, Gated		Electric		25.006.0	\$790.27
<b>Thermal Relief Valve and Anode</b>					
Thermal Relief Valve .375"M NPT, 140°F, Brass	.375"M NPT	140°F	Brass	30.062.0	\$31.51
Anode, .375"M NPT	.375"M NPT			09.078.0	\$67.23
<b>Miscellaneous: Tees, Caps, Spacer, Gaskets, Adapters</b>					
Discharge Tee, 4.375" Bolt Circle	4.375" Bolt Circle		Hard Coat	07.028.1	\$152.63
Suction Tee, (3) 5.375" Bolt Circle Flanges	5.375" Bolt Circle		Hard Coat	07.029.1	\$178.81
Adapter, 1.5"F NPT, 4.375" Bolt Circle	4.375" Bolt Circle		Hard Coat	09.077.11	\$49.52
Adapter, 2.5"F NPT, 4.375" Bolt Circle	4.375" Bolt Circle		Hard Coat	09.077.10	\$49.52
End Cap Flat, 4.375" Bolt Circle	4.375" Bolt Circle		Hard Coat	08.036.0	\$27.98
End Cap with O-Ring, 4.375" Bolt Circle	4.375" Bolt Circle		Hard Coat	08.036.2	\$31.51
Spacer Flange, 4.375" Bolt Circle	4.375" Bolt Circle		Hard Coat	08.037.10	\$24.13
Spacer Flange, 4.5" Bolt Circle	4.5" Bolt Circle		Hard Coat	08.037.11	\$24.13
Gasket, 2.75" Bolt Circle, For 1.0" Valve	2.75" Bolt Circle		Fiber Nitrile	03.026.0	\$3.16
Gasket, 3.5" Bolt Circle, For 1.5" Valve	3.5" Bolt Circle		Fiber Nitrile	03.026.1	\$3.16
Gasket, 4.375" Bolt Circle, For Manifold Flange	4.375" Bolt Circle		Fiber Nitrile	03.026.5	\$3.16
Gasket, 4.5" Bolt Circle, For 2.0" Valve	4.5" Bolt Circle		Fiber Nitrile	03.026.2	\$3.16
Gasket, 5.375" Bolt Circle, For 2.5" Valve	5.375" Bolt Circle		Fiber Nitrile	03.026.3	\$3.16
<b>Hose Clamps</b>					
Hose Clamp, Adjustable, for 1.0" Barbed Fitting	1"		Stainless	04.109.0	\$5.06
Hose Clamp, Adjustable, for 1.5" Barbed Fitting	1.5"		Stainless	04.109.1	\$5.48
<b>Foam Proportioners</b>					
Foamate 1.0, Class A Proportioner, GPM Dial	Up to 400 GPM	Class A	Brass	31.008.0	\$658.56
Foamate 1.0, Class A Proportioner, LPM Dial	Up to 1500 LPM	Class A	Brass	31.008.1	\$658.56



1.0" Valve Control



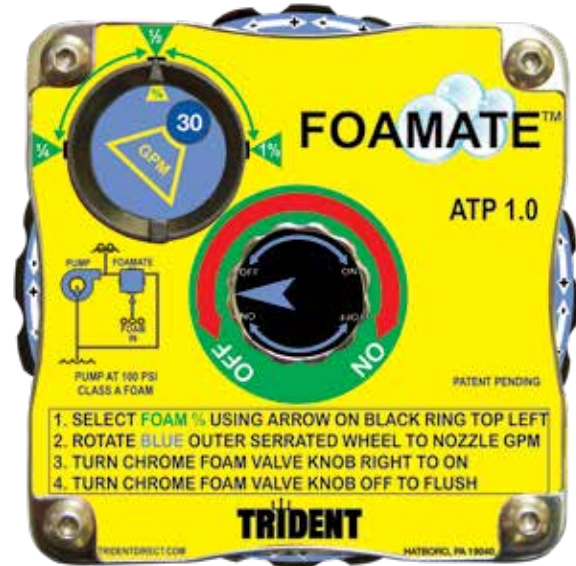
1.5" Valve Control



2.0" Valve Control



2.5" Valve Control



### Trident FOAMATE Advantages

- ▶ All Brass Body Construction and Connections
- ▶ Hydro Tested to 700 PSI [48 BAR]
- ▶ GPM Flow Range: Up to 400 GPM [1500 LPM]
- ▶ Simple Operation and Training
- ▶ Perfect for Retro-Fit Installation on Existing Units
- ▶ Quick to Install – Under One Hour
- ▶ GPM and LPM Configurations

### Performance Range

- ▶ 400 GPM [1500 LPM] at .25%
- ▶ 200 GPM [750 LPM] at .50%
- ▶ 100 GPM [375 LPM] at 1.0%
- ▶ Above Performance Figures @ 100 PSI [6.9 Bar]

### FOAMATE Construction

- ▶ Brass metering valve with EPDM rubber replaceable foam compatible seals
- ▶ Integral brass check valve to prevent backflow of foam into the water supply
- ▶ Compact control panel, 4" High x 4" Wide x 4" Deep
- ▶ Valve body and metering valve mounted behind panel (when panel mounted)
- ▶ Chrome plated control panel, with integral polycarbonate label listing operating instructions and foam diagram



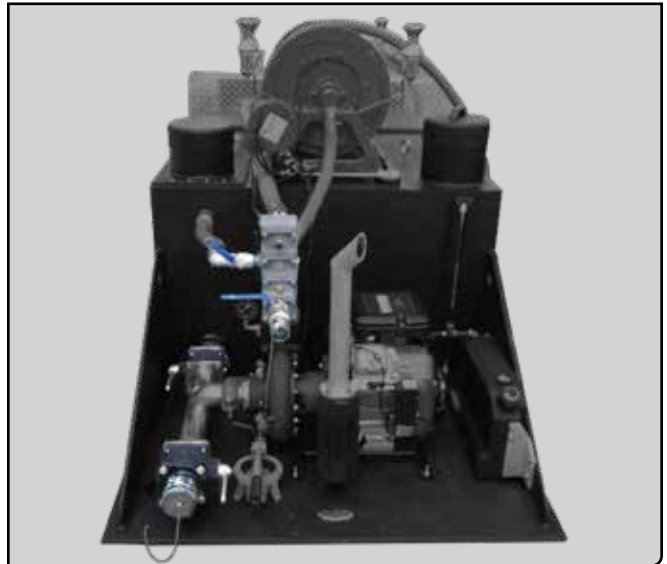
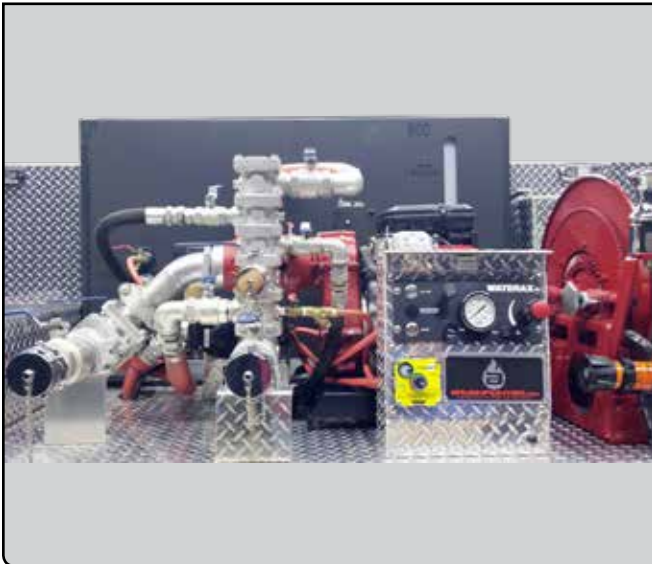
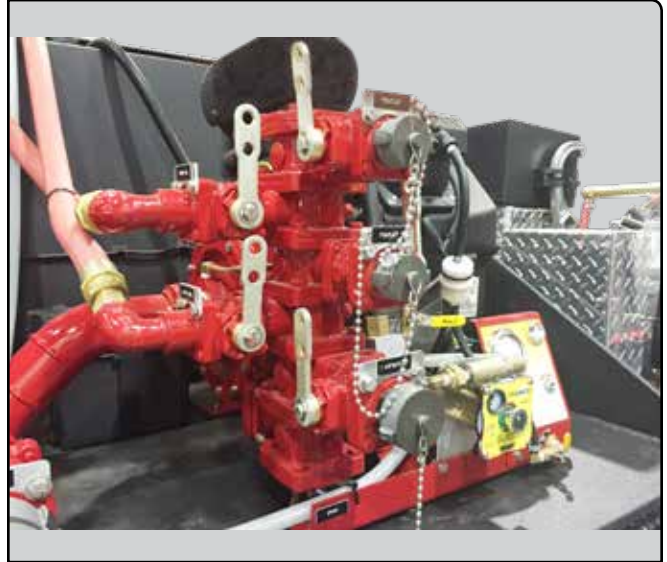
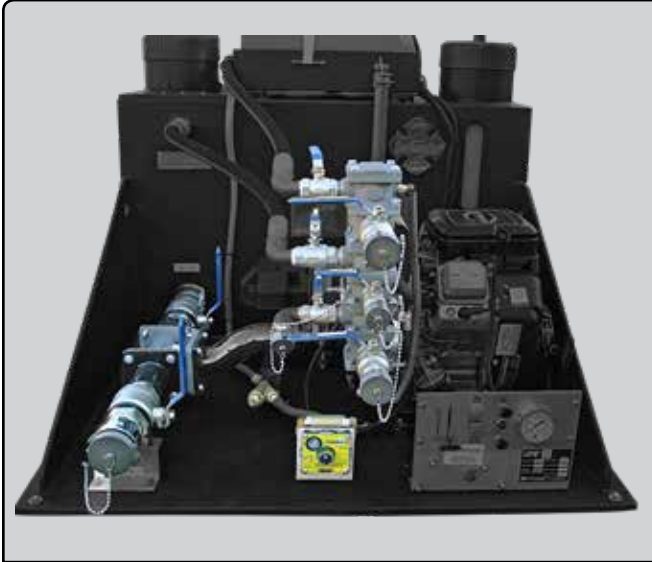
**Optional Foam Pickup Tube P/N 10.010.0**

### Strainers Included

- ▶ Two (2) separate accessible and cleanable brass .75" wye strainers. One for water and one for foam intake lines

Description	Notes	Type	Finish	Part #	Price
<b>Foam Proportioner and Accessories</b>					
Foamate Model 1.0, Class A ATP GPM	Up to 400 GPM	Class A	Brass	31.008.0	\$658.56
Foamate Model 1.0, Class A ATP LPM	Up to 1500 LPM	Class A	Brass	31.008.1	\$658.56
Pickup Tube .75" Female Swivel GHT x 5' Long	Pail to FOAMATE	Delivery Tube	Brass	10.010.0	\$208.63







## Rocker Switch Positions

- ▶ Auto Prime Switch Position: Primer is automatically activated when the green OK TO PUMP light is ON, pump pressure is less than 20 PSI [1.3 bar], and primer control LED green light is ON
- ▶ Prime Switch Position: Manually Push switch to activate primer or use for periodic testing of priming system (even with fire pump not in gear)

Description	Compressor	Control	Mount	Part #	Price
<b>Auto AirPrime ≤1000 GPM Pump, 2 Barrel, Compressor Size</b>	<b>13.2 Minimum</b>				
AirPrime, Auto 2 Barrel, Switch, 12 Volt, Remote Mount	13.2 CFM	12 Volt	.75"F NPT	31.003.5	\$1,817.62
AirPrime, Auto 2 Barrel, Switch, 24 Volt, Remote Mount	13.2 CFM	24 Volt	.75"F NPT	31.003.6	\$1,817.62
<b>Auto AirPrime ≥1250 GPM Pump, 3 Barrel, Compressor Size</b>	<b>15.6 Minimum</b>				
AirPrime, Auto 3 Barrel, Switch, 12 Volt, Remote Mount	15.6 CFM	12 Volt	.75"F NPT	31.001.3	\$1,817.62
AirPrime, Auto 3 Barrel, Switch, 24 Volt, Remote Mount	15.6 CFM	24 Volt	.75"F NPT	31.001.4	\$1,817.62
AirPrime, Auto 3 Barrel, Switch, 12 Volt, Hale 2-Bolt Mount	15.6 CFM	12 Volt	Direct	31.001.0	\$1,817.62
AirPrime, Auto 3 Barrel, Switch, 24 Volt, Hale 2-Bolt Mount	15.6 CFM	24 Volt	Direct	31.001.1	\$1,817.62

## Automatic Priming System With Vacuum Gauge

Description	Compressor	Control	Mount	Part #	Price
<b>AirPrime ≤1000GPM Pump, 2 Barrel, w/Gauge, Compressor Size</b>	<b>13.2 Minimum</b>				
AirPrime, Auto 2 Barrel, Switch, 12 Volt, Remote Mount, w/Gauge	13.2 CFM	12 Volt	.75"F NPT	31.013.5	\$1,938.79
AirPrime, Auto 2 Barrel, Switch, 24 Volt, Remote Mount, w/Gauge	13.2 CFM	24 Volt	.75"F NPT	31.013.6	\$1,938.79
<b>AirPrime ≥1250GPM Pump, 3 Barrel, w/Gauge, Compressor Size</b>	<b>15.6 Minimum</b>				
AirPrime, Auto 3 Barrel, Switch, 12 Volt, Remote Mount, w/Gauge	15.6 CFM	12 Volt	.75"F NPT	31.011.3	\$1,938.79
AirPrime, Auto 3 Barrel, Switch, 24 Volt, Remote Mount, w/Gauge	15.6 CFM	24 Volt	.75"F NPT	31.011.4	\$1,938.79
AirPrime, Auto 3 Barrel, Switch, 12 Volt, Hale 2-Bolt Mount, w/Gauge	15.6 CFM	12 Volt	Direct	31.011.0	\$1,938.79
AirPrime, Auto 3 Barrel, Switch, 24 Volt, Hale 2-Bolt Mount, w/Gauge	15.6 CFM	24 Volt	Direct	31.011.1	\$1,938.79
<b>Automatic AirPrime for Industrial Pumps</b>					
AirPrime, Auto 2x2 Barrel, Switch, 12 Volt	>20 CFM	12 Volt	Remote	31.013.44	\$3,165.02
AirPrime, Auto 2x2 Barrel, Switch, 12 Volt, w/Gauge	>20 CFM	12 Volt	Remote	31.013.43	\$3,286.20
AirPrime, Auto 3x2 Barrel, Switch, 12 Volt, w/Gauge	>30 CFM	12 Volt	Remote	31.013.42	\$4,633.60

## Optional Control Panel with Vacuum Gauge

- ▶ Indicates the vertical elevation of water in feet during priming operation
- ▶ Gauge connected to primer and will not be damaged by positive pressure connection
- ▶ Testing: Ability for periodic ramp test of primer
- ▶ No other primer in the World is equipped with an integral vacuum lift gauge

## Auto AirPrime™ – Works On

- ▶ All types of fire pumps and any GPM rating
- ▶ Perfect for cold weather operation
- ▶ Any type of chassis with air brakes
- ▶ High Flow Fire Pumps

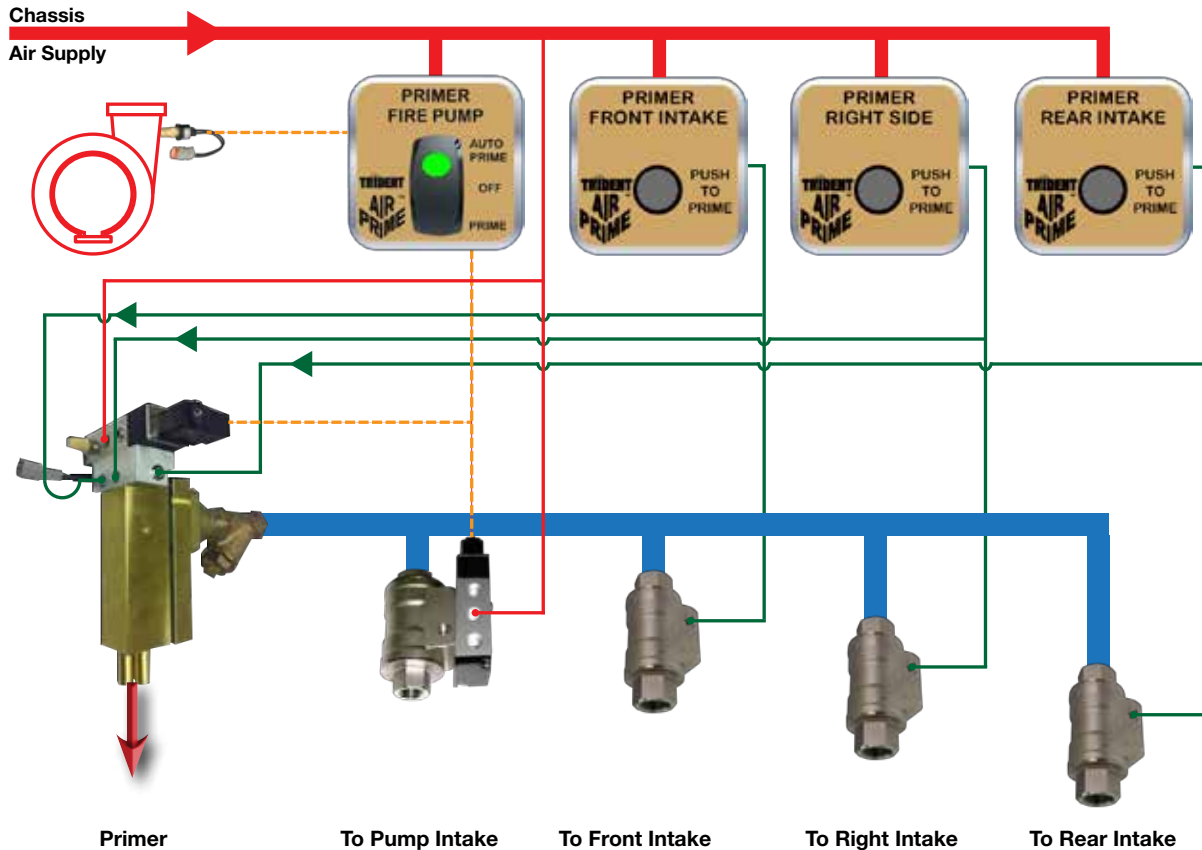


## Auto AirPrime

Assures automatic re-priming of fire pump when pump discharge pressure is lost

- ▶ When a slug-of-air enters impeller
- ▶ When an LDH discharge valve is opened too fast
- ▶ Switching from water tank to another source
- ▶ Other intakes can be manually pre-primed even while the Auto AirPrime™ is still engaged

**Optional**  
Air Pressure  
Protection Valve  
P/N 30.053.0



Description	Compressor	Control	Mount	Part #	Price
<b>AirPrime ≥1250GPM Pump, 3 Barrel, Multi, Compressor Size</b>	<b>15.6 Minimum</b>				
AirPrime, 2-Location, Auto 3 Barrel, Push Button, Remote Mount	15.6 CFM	12 Volt	.75"F NPT	31.001.21	\$2,323.39
AirPrime, 3-Location, Auto 3 Barrel, Push Button, Remote Mount	15.6 CFM	12 Volt	.75"F NPT	31.001.22	\$2,639.49
AirPrime, 4-Location, Auto 3 Barrel, Push Button, Remote Mount	15.6 CFM	12 Volt	.75"F NPT	31.001.23	\$2,955.60
<b>AirPrime w/Gauge ≥1250GPM Pump, 3 Barrel, Multi, Comp Size</b>	<b>15.6 Minimum</b>				
AirPrime, w/Gauge, 2-Location, Auto 3 BBL, Push Button, Remote Mount	15.6 CFM	12 Volt	.75"F NPT	31.011.21	\$2,444.56
AirPrime, w/Gauge, 3-Location, Auto 3 BBL, Push Button, Remote Mount	15.6 CFM	12 Volt	.75"F NPT	31.011.22	\$2,760.67
AirPrime, w/Gauge, 4-Location, Auto 3 BBL, Push Button, Remote Mount	15.6 CFM	12 Volt	.75"F NPT	31.011.23	\$3,076.77
<b>AirPrime Conversion Kits (Any Type of Mount) For Converting an Existing AirPrime System</b>					
Conversion Kit: Single Location AirPrime, Converts Manual to Automatic				27.014.0	\$658.56
Conversion Kit: Multi-Location AirPrime, Converts Manual to Automatic				27.014.1	\$711.24
Conversion Kit: Manual AirPrime, Converts Single (1) Location to Dual (2) Location				27.005.2	\$611.14
Conversion Kit: Automatic AirPrime, Converts Single (1) Location to Dual (2) Location				27.005.3	\$769.19
Conversion Kit: Multi-Location AirPrime, Adds Locations Going From (2) Points to (3) Points. Or From (3) Points to (4) Points				27.005.1	\$339.29
Conversion Kit: Manual AirPrime, Adding Lift Gauge to Panel Control. Requires .125" NPT Port. Contact Factory for Details				27.005.4	\$131.71
Conversion Kit: Auto AirPrime, Adding Lift Gauge to Panel Control Requires .125" NPT Port. Contact Factory for Details				27.005.5	\$131.71
Conversion Kit: Manual AirPrime, Converting to Auto with Lift Gauge Requires .125" NPT Port. Contact Factory for Details				27.005.6	\$763.93



### Standard Primer Panel

Depressing the **PUSH TO PRIME** button directs air to the primer inlet

- ▶ An internal air primer valve is opened with air pressure from chassis air system
- ▶ Vacuum for drafting is created by air-flow through multi-stage internal venturi nozzles
- ▶ Panel has no water plumbing or electrical wiring – all air controlled, eliminates freezing and electrical problems

Description	Compressor	Control	Mount	Part #	Price
AirPrime ≤1000GPM Pump, Manual, Compressor Size	13.2 Minimum				
AirPrime, Manual 2 Barrel, Push Button, Remote Mount	13.2 CFM	Manual	.75"F NPT	31.003.7	\$1,369.80
AirPrime, Manual 2 Barrel, Push Button, Hale Direct Mount	13.2 CFM	Manual	2-Bolt	31.003.2	\$1,369.80
AirPrime, Manual, 3-Barrel, Push Button, Remote Mount	15.6 CFM	Manual	.75"F NPT	31.001.7	\$1,369.80
AirPrime, Manual, 3-Barrel, Push Button, Hale Direct Mount	15.6 CFM	Manual	2-Bolt	31.001.2	\$1,369.80



### Optional Control Panel

With Vacuum Gauge

- ▶ Indicates the vertical elevation of water in feet during priming operation
- ▶ Gauge connected to primer and will not be damaged by positive pressure connection
- ▶ Testing: Ability for periodic ramp test of primer



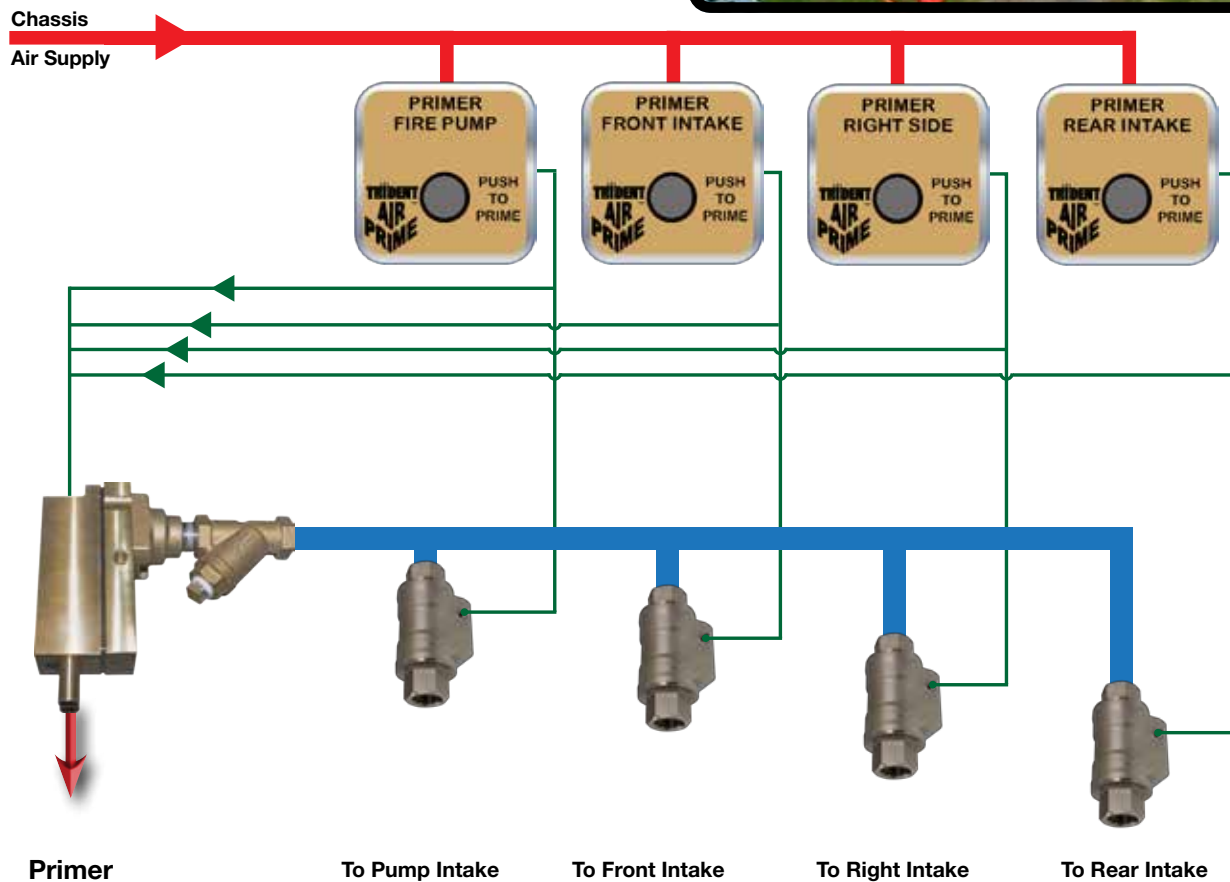
**Optional**  
Air Pressure  
Protection Valve  
P/N 30.053.0

Manual AirPrime

Description	Compressor	Control	Mount	Part #	Price
AirPrime, w/Gauge ≥1000GPM, Manual, 2 Barrel, Air Comp Size	13.2 Minimum				
AirPrime, w/Gauge, Manual 2 Barrel, Button, Remote Mount	13.2 CFM	Manual	.75"F NPT	31.013.7	\$1,490.97
AirPrime, w/Gauge, Manual 2 Barrel, Button, Hale 2-Bolt Mount	13.2 CFM	Manual	Direct	31.013.2	\$1,490.97
AirPrime w/Gauge ≥1250GPM, Manual, 3 Barrel, Air Comp Size	15.6 Minimum				
AirPrime, w/Gauge, Manual, 3-Barrel, Button, Remote Mount	15.6 CFM	Manual	.75"F NPT	31.011.7	\$1,490.97
AirPrime, w/Gauge, Manual, 3-Barrel, Button, Hale 2-Bolt Mount	15.6 CFM	Manual	Direct	31.011.2	\$1,490.97
<b>AirPrime Optional Accessories</b>					
Air Pressure Protection Valve (Protect Air Brake System Pressure)				30.053.0	\$86.40

## Drafting or LDH Intakes

- ▶ **Midship Pumpers:** Perfect for Front, Rear, Left and Right side intakes
- ▶ **Tanker Shuttle:** Multiple folding tanks
- ▶ **Quick and Easy:** Changing from tank to pump operation to external suction intake drafting
- ▶ **LDH Hose Operations:** AirPrime quickly removes entrapped air prior to opening an LDH intake valve



Description	Compressor	Control	Mount	Part #	Price
<b>AirPrime ≥1250GPM, 3 Barrel, Multi, Air Comp Size</b>	<b>15.6 Minimum</b>				
AirPrime, 2-Location, Manual 3 Barrel, Button, Remote Mount	15.6 CFM	Manual	.75"F NPT	31.001.11	\$1,875.57
AirPrime, 3-Location, Manual 3 Barrel, Button, Remote Mount	15.6 CFM	Manual	.75"F NPT	31.001.12	\$2,191.68
AirPrime, 4-Location, Manual 3 Barrel, Button, Remote Mount	15.6 CFM	Manual	.75"F NPT	31.001.13	\$2,507.78
<b>AirPrime w/Gauge ≥1250GPM, 3 Barrel, Multi, Air Comp Size</b>	<b>15.6 Minimum</b>				
AirPrime, w/Gauge, 2-Location, Manual, Button, Remote Mount	15.6 CFM	Manual	.75"F NPT	31.011.11	\$1,996.74
AirPrime, w/Gauge, 3-Location, Manual, Button, Remote Mount	15.6 CFM	Manual	.75"F NPT	31.011.12	\$2,312.85
AirPrime, w/Gauge, 4-Location, Manual, Button, Remote Mount	15.6 CFM	Manual	.75"F NPT	31.011.13	\$2,628.96

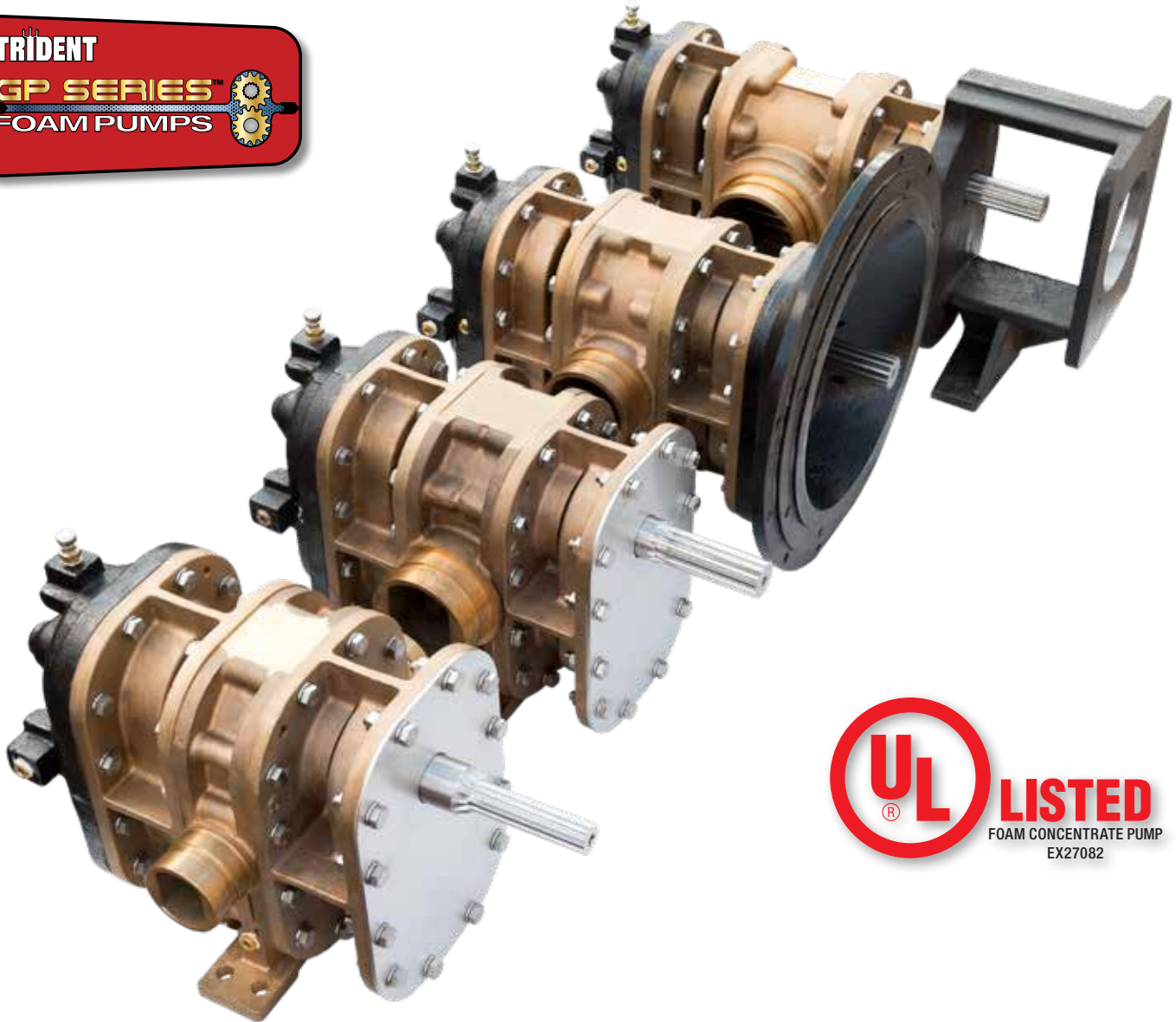
Manual AirPrime

# GP Series Foam Pumps

High Performance Rotary Gear Pumps

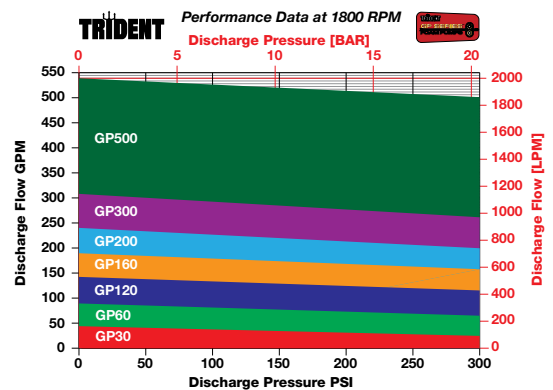
# TIMING is

## GP Series™ High Performance Rotary Gear Foam Pumps



Foam Pumps

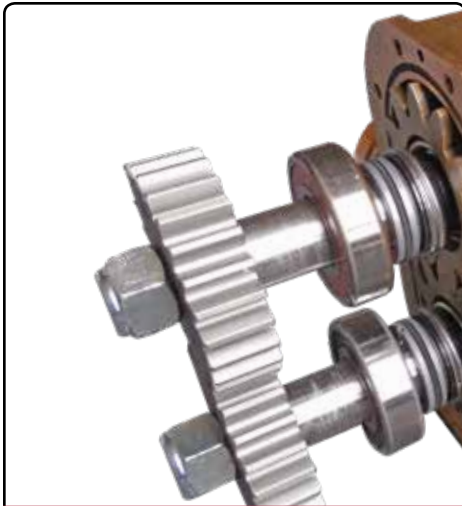
Nominal Flow			
Model	GPM	LPM	Port Size
GP500	500	1890	5.0"
GP300	300	1135	4.0"
GP200	200	760	3.0"
GP160	160	606	3.0"
GP120	120	455	2.0"
GP60	60	225	2.0"
GP30	30	115	1.5"



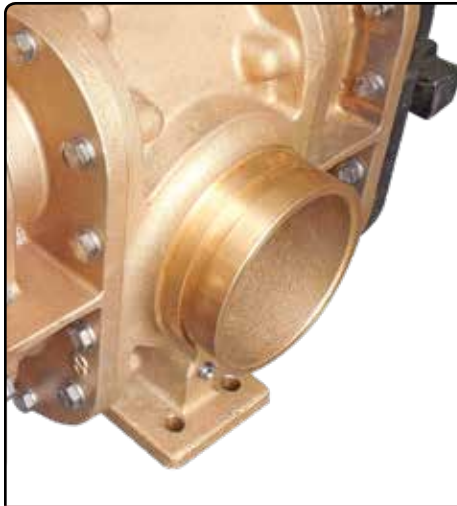
## Features and Benefits of Trident GP Series™ Foam Pumps

### Design Details

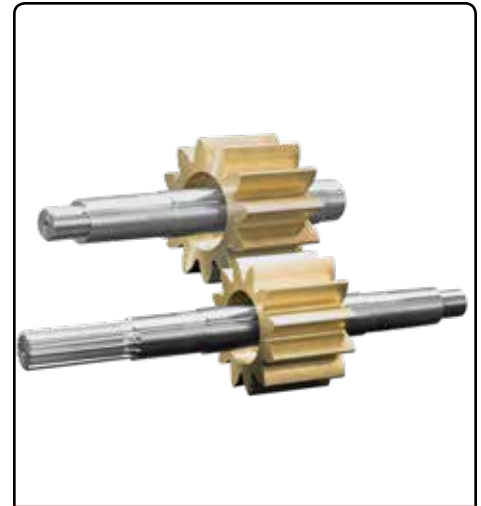
- ▶ Brass Housing with Bronze Alloy Rotors
- ▶ Hardened 17-4PH Stainless Steel Shafts
- ▶ Splined Pump Drive Shafts
- ▶ Keyed Shaft on GP30 and GP60
- ▶ Shaft Sealed 100% from Pumping Medium
- ▶ Splash Oil Lubrication for Timing Gears
- ▶ Silicon Carbide Mechanical Seals
- ▶ Rubber Seals - No Gaskets
- ▶ Double Row Roller Bearings - Sealed for Life
- ▶ Victaulic™ Connections
- ▶ Stainless Steel Fasteners
- ▶ Pump Mounts in any Orientation
- ▶ Designed for Easy Serviceability
- ▶ Optional SAE Engine Bell Housing Adapter
- ▶ Optional SAE Hydraulic Motor Bracket
- ▶ Optional Speed Sensor



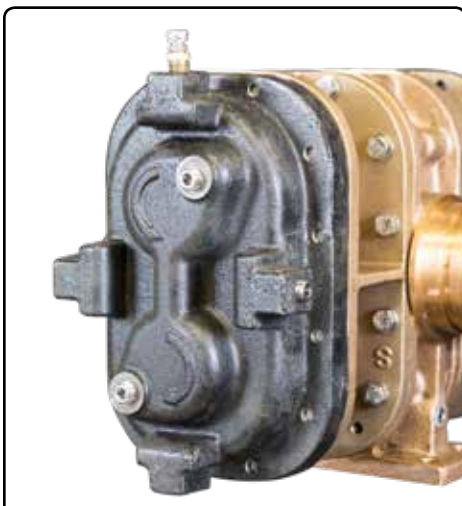
Timing Gears and Sealed 2 Row Roller Bearings



Victaulic™ Inlet and Outlet Connections



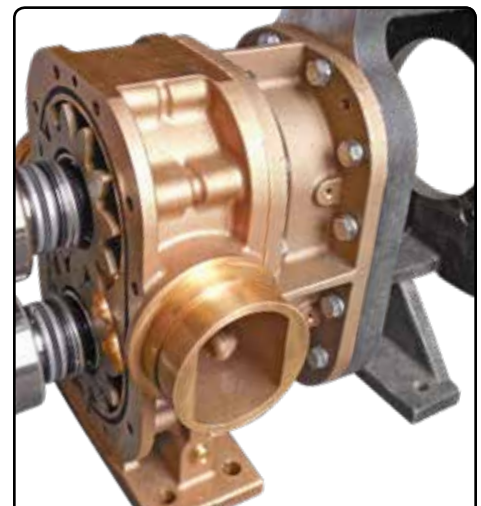
17-4PH Stainless Shafts  
Bronze Pump Rotors



Splash Oil Lubrication for Timing Gears



Bronze Pump Rotors and Mechanical Seals



Rubber Seals and Stainless Steel Fasteners

# GP Series Foam Pumps

High Performance Rotary Gear Pumps

## Model Configurations

**Model U**  
Universal Mount | GP160



**Model H**  
Hydraulic Mount | GP300



**Model M**  
Bell Housing Mount | GP160



### Why GP Series™ Foam Pumps Include Timing Gears...

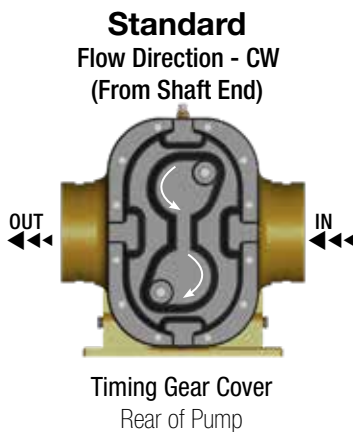
- ▶ Timing Gears Synchronize the Two Pumping Rotors
- ▶ Timing Gears Allow for DRY Running Without Damage
- ▶ No Rotor Contact Allows for Pumping Foam or Water
- ▶ Water Can Be Used for; Calibration, Testing and Training

### Design Features

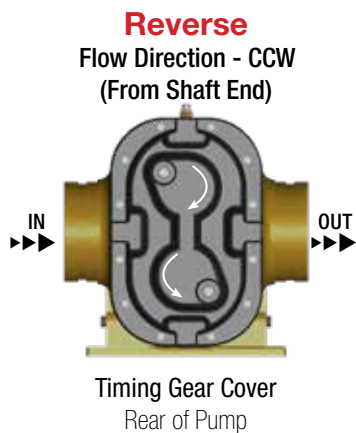
Trident GP Series™ High Performance Rotary Gear Foam Pumps are loaded with a Wide Range of New Design Features. They are Self Priming and can pump Multiple Viscosities of Foam or Water. This versatile design is suitable for Electric, PTO, Diesel/Gasoline Engine, Water or Hydraulic drive motors.



### Contact Trident for Foam Pump Pricing



STANDARD FLOW DIRECTION PART NUMBERS				
Drive Type				
Model	U Top Shaft	U Bottom Shaft	H Top Shaft	M Top Shaft
GP30	31.018.2	31.018.4	31.018.0	31.018.3
GP60	31.021.2	31.021.4	31.021.0	31.021.3
GP120	31.017.2	31.017.4	31.017.0	31.017.3
GP160	31.007.2	31.007.4	31.007.0	31.007.3
GP200	31.016.2	31.016.4	31.016.0	31.016.3
GP300	31.006.2	31.006.4	31.006.0	31.006.3
GP500	31.022.2	31.022.4	31.022.0	31.022.3



REVERSE FLOW DIRECTION PART NUMBERS				
Drive Type				
Model	U Top Shaft	U Bottom Shaft	H Top Shaft	M Top Shaft
GP30	31.018.12	31.018.14	31.018.10	31.018.13
GP60	31.021.12	31.021.14	31.021.10	31.021.13
GP120	31.017.12	31.017.14	31.017.10	31.017.13
GP160	31.007.12	31.007.14	31.007.10	31.007.13
GP200	31.016.12	31.016.14	31.016.10	31.016.13
GP300	31.006.12	31.006.14	31.006.10	31.006.13
GP500	31.022.12	31.022.14	31.022.10	31.022.13

Foam Pumps





# Foam Components

Ratio Controls, Metering Valves and Check Valves

Description	Size	GPM	Finish	Part #	Price
<b>Ratio Controllers</b>					
2.0" Ratio Controller, Victaulic, 1.25" NPT Foam-In	Vic 2" In x 2" Out	60-200	Brass	31.004.1	\$737.58
2.5" Ratio Controller, Victaulic, 1.0" NPT Foam-In	Vic 2.5" In x 2.5" Out	100-320	Brass	31.004.2	\$987.83
3.0" Ratio Controller, Victaulic, 1.5" NPT Foam-In	Vic 3" In x 3" Out	170-625	Brass	31.004.3	\$1,475.17
4.0" Ratio Controller, Victaulic, 2.0" NPT Foam-In	Vic 4" In x 4" Out	350-1200	Brass	31.004.4	\$1,804.44

Description	Size/Ratio	GPM	Finish	Part #	Price
<b>Metering Valves</b>					
2.0" Metering Valve w/Black Knob, Victaulic 1.5" In x 1.0" Out	2.0" - 1,3,6%	60-200	Brass	30.039.10	\$1,380.33
2.5" Metering Valve w/Black Knob, Victaulic 1.5" In x 1.0" Out	2.5" - 1,3,6%	100-320	Brass	30.039.11	\$1,380.33
3.0" Metering Valve w/Black Knob, Victaulic 1.5" In x 1.5" Out	3.0" - 1,3,6%	170-625	Brass	30.039.12	\$1,422.48
4.0" Metering Valve w/Black Knob, Victaulic 1.5" In x 1.5" Out	4.0" - 1,3,6%	350-1200	Brass	30.039.13	\$1,422.48



Description	Size	Seat	Finish	Part #	Price
<b>Check Valves</b>					
1.5" Check Valve, NPT Swing-Type	1.5"	Brass	Brass	30.063.0	\$121.17
2.0" Check Valve, NPT Swing-Type	2.0"	Brass	Brass	30.064.0	\$189.66
2.5" Check Valve, NPT Swing-Type	2.5"	Brass	Brass	30.065.0	\$347.72
3.0" Check Valve, NPT Swing-Type	3.0"	Brass	Brass	30.066.0	\$447.82



Description	Size	Type	Finish	Part #	Price
<b>Threaded Ball Valves</b>					
1.0" Ball Valve, Threaded Brass, NPT	1.0"	Threaded	Ni Plated	30.056.0	\$26.34
1.5" Ball Valve, Threaded Brass, NPT	1.5"	Threaded	Ni Plated	30.057.0	\$52.68
2.0" Ball Valve, Threaded Brass, NPT	2.0"	Threaded	Ni Plated	30.058.0	\$79.03
2.5" Ball Valve, Threaded Brass, NPT	2.5"	Threaded	Ni Plated	30.059.0	\$158.05
3.0" Ball Valve, Threaded Brass, NPT	3.0"	Threaded	Ni Plated	30.060.0	\$221.27
4.0" Ball Valve, Threaded Brass, NPT	4.0"	Threaded	Ni Plated	30.061.0	\$368.79
<b>Foam System Components</b>					
2.0" Balancing Valve, NPT, Water/Foam	2.0"	Spool	Brass	30.054.0	\$1,185.40
1.5" Flow Switch, Victaulic, 1.5" In x 1.5" Out	14 GPM To Open	12/24 Volt	Stainless	40.005.0	\$537.38

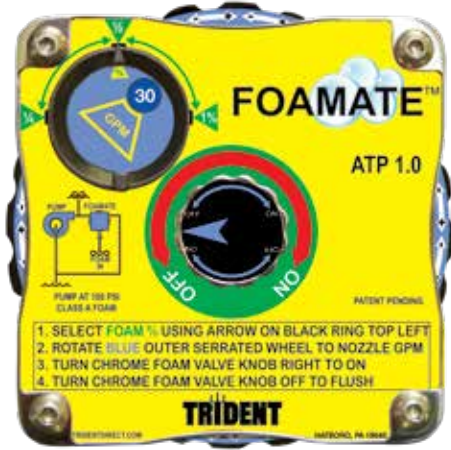


Description	Pump Model	Set Press.	Finish	Part #	Price
<b>Relief Valves for GP Series Foam Pumps</b>					
Relief Valve for GP30 and GP60, .75"M NPT x .75"F NPT	GP30-GP60	Advise	Brass	30.071.0	\$955.70
Relief Valve for GP120 and GP160, 1.5"M NPT x 1.5"F NPT	GP120-GP160	Advise	Brass	30.067.0	\$1,164.33
Relief Valve for GP200, 1.5"M NPT x 2.0"F NPT	GP200	Advise	Brass	30.067.1	\$1,245.46
Relief Valve for GP300, 2.0"M NPT x 2.0"F NPT	GP300	Advise	Brass	30.068.0	\$3,995.59
Relief Valve for GP500, 2.0"M NPT x 3.0"F NPT	GP500	Advise	Brass	30.068.2	\$3,905.76

Foam Components

# Foam Proportioners

CLASS A FOAMATE ATP 1.0



## Performance Range

- ▶ 400 GPM [1500 LPM] at .25%
- ▶ 200 GPM [750 LPM] at .50%
- ▶ 100 GPM [375 LPM] at 1.0%
- ▶ Above Performance @ 100 PSI [6.9 Bar]

## Trident FOAMATE Advantages

- ▶ All Brass Body Construction and Connections
- ▶ Hydro Tested to 700 PSI [48 BAR]
- ▶ GPM Flow Range up to 400 GPM [1500 LPM]
- ▶ Simple Operation and Training
- ▶ Perfect for Retro-Fit Installation on Existing Units
- ▶ Quick to Install – Under One Hour



Description	Notes	Type	Finish	Part #	Price
<b>Class A Foam Proportioner and Accessories</b>					
Foamate Model 1.0, Class A ATP GPM Dial Calibration	Up to 400 GPM	Class A	Brass	31.008.0	\$658.56
Foamate Model 1.0, Class A ATP LPM Dial Calibration	Up to 1500 LPM	Class A	Brass	31.008.1	\$658.56
Pickup Tube .75" Female Swivel GHT x 5' Long	Pail to FOAMATE	Delivery Tube	Brass	10.010.0	\$208.63

## FOAMATE™ 1.0 Details

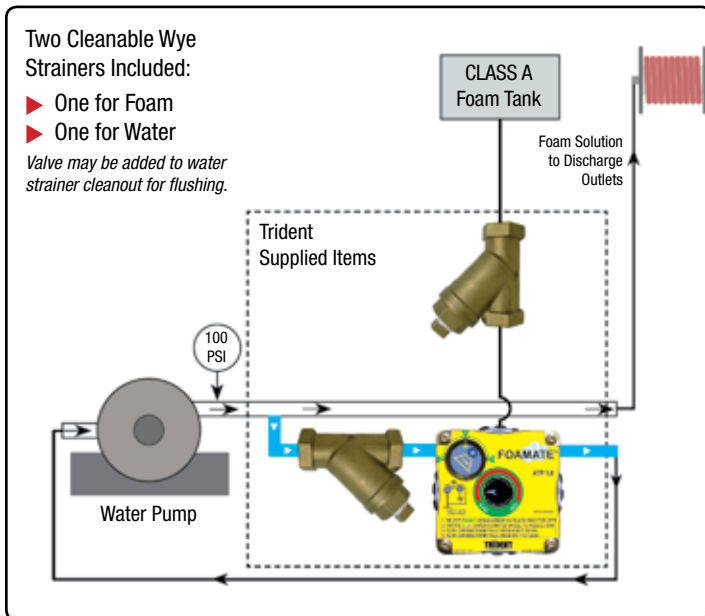
- ▶ Educator Water Connection is .25" F NPT
- ▶ Educator Foam Solution Connection is .375" F NPT
- ▶ Educator Foam Concentrate Connection is .75" M GHT
- ▶ Driving Water Flow is 5-GPM [19 LPM] at 100-PSI [6.9 Bar]
- ▶ Wye Strainer Connection is .75" F NPT at Each End
- ▶ Wye Strainer Cleanout Thread is .50" F NPT

## FOAMATE™ 1.0 Product Features

- ▶ Wildland Slip-On Units
- ▶ Municipal Pumpers
- ▶ Separate Foam-On Knob
- ▶ Flush in Foam-Off Position
- ▶ Factory Calibrated
- ▶ Low Cost Complete Assembly
- ▶ Certified to NFPA Standards



Foam Proportioners



Simple Bracket Mount ▶

Panel Mount ▼



# Foam Proportioners

CLASS B FOAMATE ATP 2.1



## Features and Performance

- ▶ Brass Construction for Wetted Parts
- ▶ Panel Mountable Metering Valve
- ▶ Standard Units Without Valves
- ▶ Available with 3 Threaded Ball Valves
- ▶ Pump Panel Label and Instructions
- ▶ Available in GPM and LPM Versions
- ▶ Class B Ratios of 1%, 3%, 6%
- ▶ 2000 GPM [8000 LPM] @ 1%
- ▶ 2000 GPM [8000 LPM] @ 3%
- ▶ 1000 GPM [4000 LPM] @ 6%

Description	Type	Flow	Finish	Part #	Price
<b>Class B ATP Foam Proportioners</b>					
Foamate ATP 2.1, Class B, VIC Ends, GPM, Basic	Basic (See Below)	To 2000 GPM	Brass	31.014.2	\$2,107.38
Foamate ATP 2.1, Class B, VIC Ends, LPM, Basic	Basic (See Below)	To 8000 LPM	Brass	31.014.3	\$2,107.38
Foamate ATP 2.1, Class B, FNPT Ends, GPM, Basic	Basic (See Below)	To 2000 GPM	Brass	31.014.12	\$2,107.38
Foamate ATP 2.1, Class B, FNPT Ends, LPM, Basic	Basic (See Below)	To 8000 LPM	Brass	31.014.13	\$2,107.38
Foamate ATP 2.1, Class B VIC Ends, GPM w/3 Ball Valves	w/3 Ball Valves	To 2000 GPM	Brass	31.014.4	\$2,344.46
Foamate ATP 2.1, Class B VIC Ends, LPM w/3 Ball Valves	w/3 Ball Valves	To 8000 LPM	Brass	31.014.5	\$2,344.46
Foamate ATP 2.1, Class B FNPT Ends, GPM w/3 Ball Valves	w/3 Ball Valves	To 2000 GPM	Brass	31.014.14	\$2,344.46
Foamate ATP 2.1, Class B FNPT Ends, LPM w/3 Ball Valves	w/3 Ball Valves	To 8000 LPM	Brass	31.014.15	\$2,344.46

**FNPT or VIC Ends on Metering Valve**

Check Valve

Eductor

These items included.



**OPERATING INSTRUCTIONS CLASS B FOAMATE ATP**

**Operation**

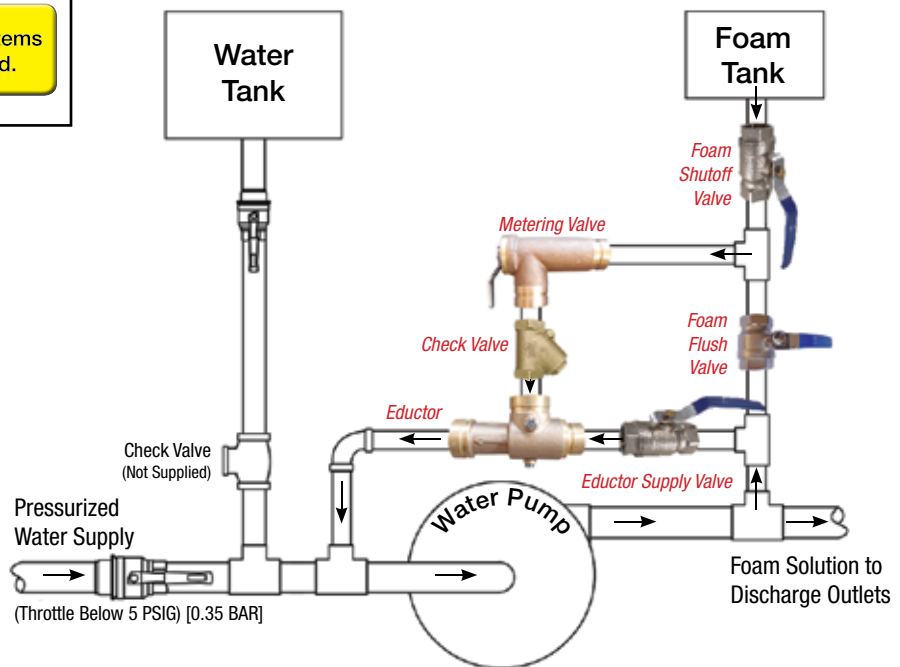
1. Start and Fully Prime Water Pump
2. Open the Eductor Supply Valve
3. Set Metering Valve for Desired Foam % and Water Flow
4. Open the Foam Shutoff Valve
5. Open the Desired Discharge Valves and Operate

**After Operation**

1. Close the Foam Shutoff Valve Completely
2. Open the Flush Valve Fully to Clean System
3. Allow Flush Valve to Flow Until Clear Water Appears

**TRIDENT**

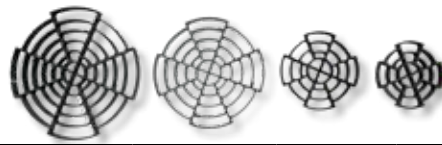
Use Class B Foam  
 Water Pressure: 125-250 PSIG [8.6-17 BAR]  
 Maximum Suction Pressure: 5 PSIG [0.35 BAR]  
 Refer to Foamate 2.1 Manual for further instruction.



Foam Proportioners

# Spare Parts

Strainers, Retainers, Seals



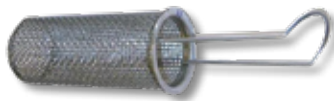
Suction Strainer Description	Size	Type	Finish	Part #	Price
Suction Strainer, 1.5", Die-Cast	1.5"	Die-Cast	Zinc	21.001.8	\$26.34
Suction Strainer, 2.5", Die-Cast	2.5"	Die-Cast	Zinc	21.001.7	\$26.34
Suction Strainer, 3.0", Die-Cast	3.0"	Die-Cast	Zinc	21.001.4	\$26.34
Suction Strainer, 3.5", Die-Cast	3.5"	Die-Cast	Zinc	21.001.9	\$26.34
Suction Strainer, 4.0", Die-Cast	4.0"	Die-Cast	Zinc	21.001.3	\$26.34
Suction Strainer, 4.5", Die-Cast	4.5"	Die-Cast	Zinc	21.001.2	\$26.34
Suction Strainer, 5.0", Die-Cast	5.0"	Die-Cast	Zinc	21.001.1	\$26.34
Suction Strainer, 6.0", Die-Cast	6.0"	Die-Cast	Zinc	21.001.0	\$26.34



Retainer Ring Description	Size	Type	Finish	Part #	Price
Retainer Ring, 4.0", Stainless Steel	4.0"	Flat	Stainless	04.013.3	\$14.75
Retainer Ring, 4.5", Stainless Steel	4.5"	Flat	Stainless	04.013.4	\$14.75
Retainer Ring, 5.0", Stainless Steel	5.0"	Flat	Stainless	04.013.1	\$14.75
Retainer Ring, 6.0", Stainless Steel	6.0"	Flat	Stainless	04.013.0	\$14.75



Suction Strainer Description	Size	Type	Finish	Part #	Price
Suction Strainer, 2.5", Wire Mesh	2.5"	Wire	Stainless	21.001.5	\$25.29
Suction Strainer, 3", Wire Mesh	3"	Wire	Stainless	21.001.6	\$27.40



Strainer Description	Size	Type	Finish	Part #	Price
Panel Strainer Screen, 10 Mesh Replacement, (Foam)	10 Mesh	Basket	Stainless	21.004.0	\$44.25
Panel Strainer Screen, 20 Mesh Replacement (Water)	20 Mesh	Basket	Stainless	21.004.1	\$44.25
AirPrime/Foamate Replacement Wye Strainer Screen, .75"	0.75"	Wye	Stainless	21.003.1	\$15.81



Master Drain Seal Kit Description	Size	Type	Finish	Part #	Price
Pump Master Drain Kit, Seal Kit, Model 10P	10P	Seat	Rubber	27.001.0	\$15.81
Pump Master Drain Kit, Seal Kit, Model 10P-HP	High Pressure	Seat	Rubber	27.001.4	\$15.81
Pump Master Drain Kit, Seal Kit, Model 12P	12P	Seat	Rubber	27.001.0	\$15.81
Remote Master Drain Seal Kit, 8 Port Drain	8P	Seals	Rubber	27.001.3	\$15.81

Spare Parts



# Spare Parts

AirMax, Tru-Flo Handwheels

AirMax Replacement Parts	Material	Finish	Part #	Price
Valve Body, 2.5", Victaulic	Brass	As Cast	07.008.1	\$136.98
Valve Body, 2.5", NPT	Brass	As Cast	07.008.0	\$136.98
Spring, Internal Compression	Spring Steel		20.004.0	\$26.34
Retaining Ring, For Spring Cover	Spring Steel		04.013.2	\$5.27
Pipe Plug, .25" NPT	Brass		09.005.0	\$6.85
Filter, Air Inlet, Wire Mesh	Wire Mesh		21.002.0	\$2.63
Valve Body Cover, Spring Retainer	Brass		08.007.0	\$76.39
Piston, Valve Brody Internal	Brass		11.003.0	\$29.50
Retainer, Piston Seal	Brass		04.017.0	\$90.62
Seal Kit, 5 Replacement Seals	Rubber		27.007.1	\$18.44
Bezel, For Control Panel Label	Cast	Chrome	02.009.3	\$20.02
Label, Panel Control, Self Adhesive	Poly		02.009.4	\$12.64
Gauge, Air Pressure	Glass/Steel		14.002.1	\$50.71
Hex Nut, Regulator Attachment	Aluminum		04.024.0	\$8.69
Label, Regulator, Pull To Unlock	Poly		02.009.5	\$6.32
Fittings, Air Connection to Gauge	Brass		27.017.0	\$133.82
Regulator, Air Pressure	Composite		14.001.0	\$153.84
Panel Kit, Regulator, Gauge, Labels, Fittings	Mixed		27.006.0	\$231.81
Valve Body Assembly, 2.5", Victaulic	Brass		30.004.10	\$708.08
Valve Body Assembly, 2.5", NPT	Brass		30.004.11	\$708.08
Valve, Air Pressure Protection	Aluminum		30.053.0	\$86.40
Check Valve, Air Pressure, .25" NPT	Brass		30.012.0	\$23.44



Tru-Flo Handwheel Replacement Parts	Material	Part #	Price
Universal Joint Coupling	Brass	17.013.0	\$47.42
Handle, Outer Rotating Portion	Stainless	19.013.0	\$39.51
Handle, Inner Axle Portion	Stainless	19.013.1	\$23.18
Handle Assembly, Hand Wheel Crank	Stainless	19.013.2	\$102.08
Bearing, White Nylon, 1 piece	Nylon	16.004.0	\$4.21
Bearing, White Nylon, Set of 4	Nylon	27.019.1	\$15.81
Set Screw, Handle to Wheel	Stainless	04.054.0	\$1.58
Washer, Black Rubber, Between Handle & Wheel	Rubber	04.077.0	\$0.32
Set Screw, Gauge to Wheel	Stainless	04.041.0	\$0.63
Bezel Assembly, Pump Panel Mount, w/Hardware	Stainless	08.024.1	\$92.20
Gauge, Valve Position, 8:1 Ratio, Waterous (old)	Composite	14.005.5	\$395.13
Gauge, Valve Position, 9:1 Ratio, Hale, Elkhart, Waterous, Jamesbury Butterfly	Composite	14.005.4	\$395.13
Gauge, Valve Position, 12:1 Ratio, Akron #8840 and Elkhart Uni-Body	Composite	14.005.6	\$395.13
Gauge, Valve Position, 16:1 Ratio, Akron #7840	Composite	14.005.9	\$395.13

Tru-Flo Handwheel Color Labels							
02.022.0	Orange	02.022.4	Blue	02.022.9	Yellow/White	02.022.13	Brown
02.022.1	Red	02.022.5	Green	02.022.10	Red/White	02.022.14	Gold
02.022.2	Yellow	02.022.6	Silver	02.022.11	Gray	02.022.15	Magenta
02.022.3	White	02.022.7	Purple	02.022.12	Burgundy	Labels are 2.3125" OD.	

Spare Parts

# Spare Parts

Seals, Labels and Kits



Hose Washer Description	Size	Type	Finish	Part #	Price
Garden Hose Washer, 0.75"	0.75"	NH	Rubber	03.003.12	\$5.27
Hose Washer, 1.0"	1.0"	NH	Rubber	03.003.9	\$5.27
Hose Washer, 1.5"	1.5"	NH	Rubber	03.003.7	\$5.27
Hose Washer, 2.0"	2.0"	NH	Rubber	03.003.6	\$5.27
Hose Washer, 2.5"	2.5"	NH	Rubber	03.003.5	\$5.27
Hose Washer, 3.0"	3.0"	NH	Rubber	03.003.4	\$6.59
Hose Washer, 3.5"	3.5"	NH	Rubber	03.003.3	\$6.59
Hose Washer, 4.0"	4.0"	NH	Rubber	03.003.2	\$7.90
Hose Washer, 4.5"	4.5"	NH	Rubber	03.003.1	\$7.90
Hose Washer, 5.0"	5.0"	NH	Rubber	03.003.0	\$7.90
Hose Washer, 6.0"	6.0"	NH	Rubber	03.002.0	\$7.90



Swivel Kits - Canadian Threads - Akron Valve	Threads	Type	Finish	Part #	Price
Swivel Kits, (2.990" x 8 TPI) F	AMA	Rocker Lug	Chrome	18.S06.32	\$104.32
Swivel Kits, (3.000" x 8 TPI) F	BCT	Rocker Lug	Chrome	18.S06.33	\$104.32
Swivel Kits, (3.125" x 5 TPI) F	CSA	Rocker Lug	Chrome	18.S06.23	\$104.32
Swivel Kits, (3.230" x 5 TPI) F	NSS	Rocker Lug	Chrome	18.S06.22	\$104.32
Swivel Kits, (3.250" x 5 TPI) F	PEI	Rocker Lug	Chrome	18.S06.31	\$104.32
Swivel Kits, (3.031" x 7 TPI) F	QST	Rocker Lug	Chrome	18.S06.19	\$104.32
Swivel Kits, (3.250" x 6 TPI) F	WCT	Rocker Lug	Chrome	18.S06.30	\$104.32



Front Suction Swivel - Kits	Size	Type	Finish	Part #	Price
Suction Swivel, Seal Kit, O-Rings Only	5.0" and 6.0"	Seal Kit	Rubber	27.001.1	\$15.81
Suction Swivel Kit, Stainless Handle, Shaft, Nut Left Hand Thread	5.0" and 6.0"	Handle Kit	Stainless	27.009.0	\$118.01
Suction Swivel Ball and Seal Kit, O-Rings, Balls, Set Screws	5.0" and 6.0"	Rebuild Kit		27.009.1	\$92.20
Spanner Wrench for Suction Base	5.0" and 6.0"	Wrench	Steel	29.001.0	\$126.44
Suction Base Kit, Chrome, Seal Kit and Handle Kit	5.0" and 6.0"	Base Kit	Chrome	27.009.2	\$1,005.88
Suction Base Kit, Chrome, Seal Kit and Handle Kit w/Wrench	5.0" and 6.0"	Base Kit	Chrome	27.009.3	\$1,084.19
Suction Base Kit, Brass, Seal Kit and Handle Kit	5.0" and 6.0"	Base Kit	Brass	27.009.4	\$1,053.69
Suction Base Kit, Brass, Seal Kit and Handle Kit w/Wrench	5.0" and 6.0"	Base Kit	Brass	27.009.5	\$1,106.37
Plug, Suction Elbow, .75" Hex Head, Stainless Steel	5.0" and 6.0"		Stainless	09.037.0	\$15.02

## Spare Parts



Replacement Decals/Placard	Model	Type	Finish	Part #	Price
Decal, Test Panel, Horizontal Mount	Gauge Test	Horizontal	Vinyl	02.010.0	\$9.22
Decal, Test Panel, Vertical Mount	Gauge Test	Vertical	Vinyl	02.010.1	\$9.22
Decal, Master Drain	Master Drain		Vinyl	02.007.0	\$9.22
Decal, Top Mount Handle	Valve Control		Vinyl	02.007.1	\$9.22



# Spare Parts

Seals, Lanyards, Step Parts and Handles / Knobs

Swivel/Seal Rebuild Kits		Part #	Price
1.5" Outlet Chicksan Seal and Swivel Rebuild Kit		27.007.0	\$18.44
2.5" Outlet Chicksan Seal and Swivel Rebuild Kit		27.007.8	\$20.55
1.0" Swivel Rebuild Kit		27.007.12	\$15.81
1.5" Swivel Rebuild Kit		27.007.11	\$18.44
2.5" Swivel Rebuild Kit		27.007.2	\$18.44
3.0" Swivel Rebuild Kit		27.007.7	\$18.44
4.0" Swivel Rebuild Kit		27.007.10	\$26.34



Retainer - Chain or Cable	Size	Type	Finish	Part #	Price
Chain, 12", Beaded w/S Hook and Eye	12"	Beaded	Chrome	05.005.1	\$7.90
Cable, 12", Stainless Steel, Vinyl Covered, w/S Hook and Eye	12"	Braided	Stainless	05.005.0	\$10.54



Folding Step Replacement Parts/Kits	Part #	Price
Replacement Spring and Pins	27.012.1	\$17.39
Replacement Luminescent Tread Decals (3 Pieces)	27.012.2	\$26.34
Replacement LED Light Kit	27.012.3	\$13.17
Replacement Black Tread Decals (3 Pieces)	27.012.4	\$21.07



Replacement Handle/Knob	Finish	Part #	Price
Replacement Knob, Master Drain/Top Mount	Chrome	19.001.2	\$20.67
Replacement Rectangular Handle, .50" and Smaller	Chrome	19.002.2	\$15.81
Replacement Rectangular Handle, .75" and Larger	Chrome	19.002.3	\$15.81
Replacement Round Handle, .50" and Smaller	Chrome	19.004.2	\$15.81
Replacement Round Handle, .75" and Larger	Chrome	19.004.3	\$15.81
Replacement Lever Handle, .75" and Larger	Chrome	19.006.1	\$15.70
Replacement Knob, Master Drain, High Pressure, .50"	Aluminum	19.011.0	\$52.68



In Line Valve Rebuild Kits	Part #	Price
Rebuild Kit, 1" Alum Valve, Includes Ball - Seats and O-Rings	27.007.13	\$92.20
Rebuild Kit, 1.5" Alum Valve, Includes Ball - Seats and O-Rings	27.007.6	\$92.20
Rebuild Kit, 2" Alum Valve, Includes Ball - Seats and O-Rings	27.007.5	\$159.11
Rebuild Kit, 2.5" Alum Valve, Includes Ball - Seats and O-Rings	27.007.14	\$103.79

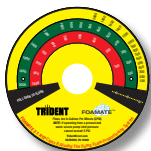
Spare Parts

# Spare Parts

AirPrime, Foamate 2.1



AirPrime Replacement Parts	Model	Part #	Price
Rocker Switch 12-volt and Placard Assembly	Automatic Units	27.003.5	\$184.40
Rocker Switch 24-volt and Placard Assembly	Automatic Units	27.003.6	\$184.40
Label Gold, Panel Rocker Switch	Automatic Units	02.004.2	\$12.64
Label Gold, Panel Rocker Switch with Lift Gauge	Automatic Units	02.004.4	\$15.81
Bezel Chromed, Panel Rocker Switch	Automatic Units	02.004.1	\$15.81
Bezel Chromed, Panel Rocker Switch with Lift Gauge	Automatic Units	02.004.3	\$16.86
Pressure Switch and Connector	Automatic Units	40.002.1	\$39.51
Rocker Switch 12-volt, Placard, Lift Gauge Assembly	Automatic Units	27.003.7	\$184.40
Rocker Switch 24-volt, Placard, Lift Gauge Assembly	Automatic Units	27.003.8	\$284.50
Rocker Switch 12-volt Replacement	Automatic Units	40.001.2	\$147.52
Rocker Switch 24-volt Replacement	Automatic Units	40.001.3	\$147.52
Wiring Harness for Auto AirPrime	Automatic Units	41.001.0	\$103.26
Pressure Protection Valve (PPV)	Automatic and Manual Units	30.053.0	\$86.40
Lift Gauge	Automatic and Manual Units	14.006.0	\$50.58
Filter, Air Inlet Domed Wire Mesh	Automatic and Manual Units	21.002.0	\$2.63
Seal Kit, Replacement Seals	Automatic and Manual Units	27.003.3	\$59.27
Wye Strainer, 3/4" NPT, Brass	Automatic and Manual Units	21.003.0	\$65.86
Wye Strainer Replacement Filter, Stainless Steel Mesh	Automatic and Manual Units	21.003.1	\$15.81
Push Button and Placard Assembly	Manual Units	27.003.1	\$216.01
Label Gold, Panel Push Button	Manual Units	02.006.4	\$12.64
Label Gold, Panel Push Button with Lift Gauge	Manual Units	02.006.10	\$18.44
Bezel Chromed, Panel Push Button	Manual Units	02.006.3	\$15.81
Bezel Chromed, Panel Push Button with Lift Gauge	Manual Units	02.006.9	\$18.44
Push Button Replacement	Manual Units	30.005.3	\$131.71
Push Button, Placard, Lift Gauge Assembly	Manual Units	30.005.4	\$279.23
Remote Priming Valve (RPV)	Multi Location Units	30.035.1	\$271.33
Check Valve, Air .25" NPT	Multi Location Units	30.012.0	\$23.44
Remote Priming Valve with 12-volt Solenoid	Multi Location Units	30.035.10	\$374.06
Remote Priming Valve with 24-volt Solenoid	Multi Location Units	30.035.11	\$374.06
Multi-Location Push-Button w/ Mounting Plate	Multi Location Units	27.003.9	\$189.66
Label Gold, Panel Control for Front Intake	Multi Location Units	02.006.5	\$12.64
Label Gold, Panel Control for Rear Intake	Multi Location Units	02.006.6	\$12.64
Label Gold, Panel Control for Left Side Intake	Multi Location Units	02.006.7	\$12.64
Label Gold, Panel Control for Right Side Intake	Multi Location Units	02.006.8	\$12.64



Spare Parts

Foamate 2.1 Replacement Parts	Material	Part #	Price
Label Yellow, Flow Dial, GPM Calibration	Self Adhesive	02.028.1	\$100.89
Label Yellow, Flow Dial, LPM Calibration	Self Adhesive	02.028.2	\$101.94
Label Yellow, Percentage Bar	Self Adhesive	02.028.4	\$45.57
Label Yellow, Instruction Diagram	Self Adhesive	02.023.1	\$21.60
Metering Valve Seal Kit, Includes Retaining Ring	Rubber	27.007.9	\$28.24



## 5 Year Warranty

For five years after the date of purchase, Trident Emergency Products, LLC warrants its products to be free from defects in materials and workmanship when properly installed, operated, and maintained.



If during the warranty period, a product is discovered to be defective, Trident will, at its option, replace or repair the warranted product or grant the purchaser a credit for the product claimed to be defective. Trident will have the sole discretion to determine whether the product was defective.

This warranty is null and void if the product is damaged due to abuse, misuse, negligence or accidental causes.

No warranty of merchantability or fitness for a particular purpose, nor any warranty, express or implied, is made by Trident. The foregoing states Trident Emergency Products, LLC's entire and exclusive liability and buyer's exclusive remedy for any claim or damages in connection with the sale of its products. In no event shall Trident be liable for any special incidental, or consequential damages whatsoever.

## GP Series™ Foam Pump Warranty

Please contact Trident for details on the warranty for our series of foam pumps.



Please use Trident part numbers and descriptions when placing orders. All orders must be written, E-Mail ([sales@tridentdirect.com](mailto:sales@tridentdirect.com)) or faxed to 215-293-0701 or placed online at **TridentDirect.com**. All orders will be acknowledged by Trident within 2-days and shall become final after acknowledgement, if not challenged.  
**No verbal orders will be accepted.**

## Ordering

## Terms

1% 10NET30 days on approved credit, or with MC/Visa credit card. Service charge 1.5% on past due accounts.



## Freight

F.O.B. Hatboro, PA, USA. Our responsibility ceases upon delivery to common carrier. Consignee must file claim for storage and damaged freight with the carrier.

## Delivery

Most standard items are shipped in five business days or less. Consult with customer service for availability, special threads, or special order products.

## Return Policy

No material will be accepted for return without authorization by the factory, and a return goods authorization number assigned. Materials must be returned prepaid. A 20% restocking fee normally applies. No material will be accepted for a credit after one year from the date of purchase.

*Custom products and special orders are not returnable.*



## Safety First!!!

**Serious Injury, Death and Destruction of Property can result from improper selection or improper use of products described in this catalog. Since TRIDENT has no control over the number and variety of applications for which its products may be purchased or the conditions under which they may be used, TRIDENT liability on any claim, whether in contract, tort (including negligence), or otherwise, for any loss or damage shall in no case exceed the price paid for the product or any part thereof which give rise to claim. As always, TRIDENT technical assistance and support is available for your convenience.**



## Warning - User Responsibilities

The customer, installer, and end-user shall assume sole responsibility in making the final selection of products and accessories. Furthermore, these parties shall hold TRIDENT harmless for all liability, claims, suits, and expenses incurred. These parties shall ensure maintenance, safety precautions and warnings regarding the application are enforced at all times. TRIDENT is not responsible for use of products in excess of rated and recommended capacities, design functions, or abnormal conditions.



## Caution - Proper Selection of Accessories

TRIDENT offers a wide variety of accessory items and optional features for its products. It is the sole responsibility of the customer, installer, and end users to ensure that the proper items and features have been selected to fit the application.



## Warning - Follow Instructions

The customer, installer, and end users shall ensure that all potential users of these products receive continual training and access to all relevant product manuals and safety instructions. This information should be thoroughly reviewed prior to installation, stored and reviewed continually during use of the product. TRIDENT assumes no responsibility for fitness of installation and continued use in specific applications.



## Customer Service Phone (215) 293-0700

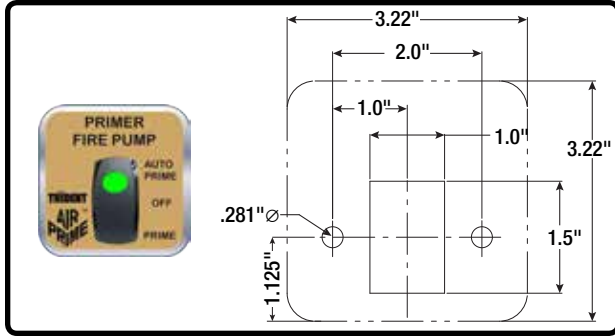
We pride ourselves with exceptional customer service and are available to answer questions pertaining to new or existing orders and any of your after the sale support concerns. If a product needs to be returned, please call and request a Returned Goods Authorization (RGA) number. Warranty claims must be made by an authorized TRIDENT employee. Be prepared to provide the product model number and purchase invoice number. Replacement parts ordered will be invoiced to your account. Once an RGA number is received you must write it on all boxes and paperwork. TRIDENT will not accept your returned goods without an RGA number. Upon receiving the return, if it is determined to be covered under warranty, a credit memo will be issued and mailed to you for your records.



**Note:** All designs, specifications, and dimensional data contained in this catalog are subject to change without notice. No additional warranties, express or implied, including warranties of merchantability for fitness for a particular purpose, are created by the descriptions and depictions of the products on or in this catalog. Not responsible for typographical errors.

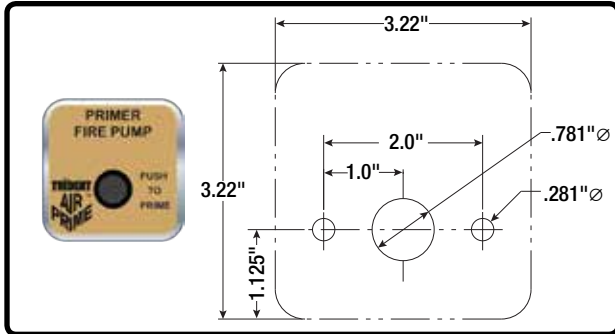
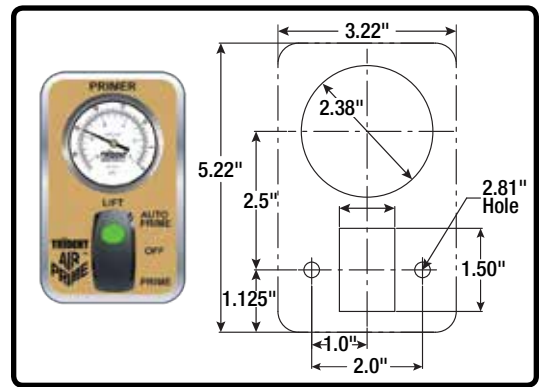
# Panel Templates

## Installation Hole Patterns



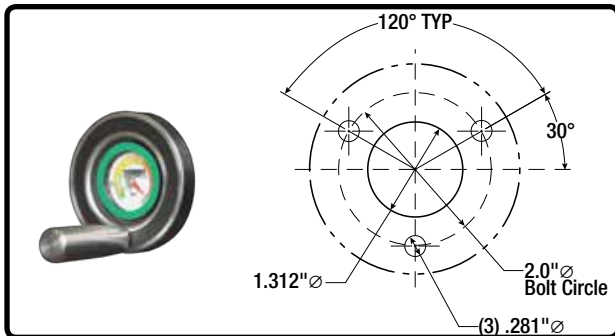
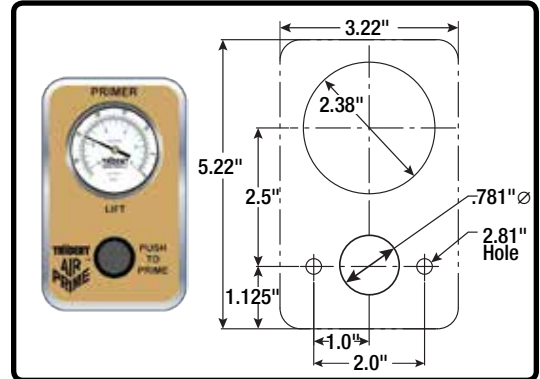
AirPrime ▶  
Auto  
With Gauge

◀ AirPrime  
Auto



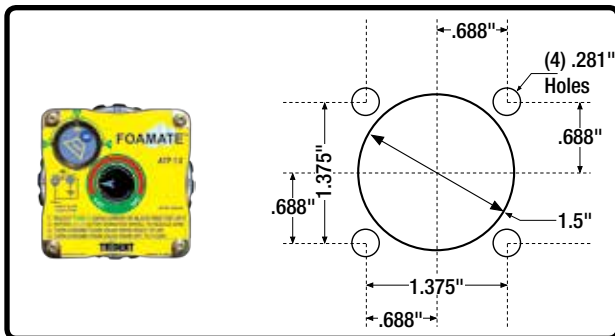
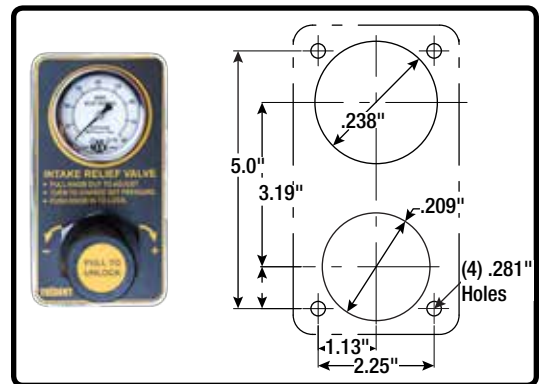
AirPrime ▶  
Manual  
With Gauge

◀ AirPrime  
Manual

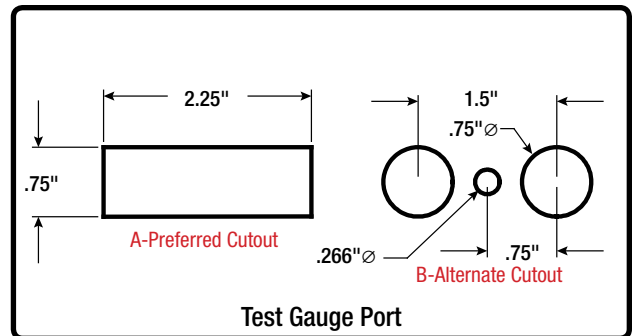


AirMax ▶  
Relief Valve

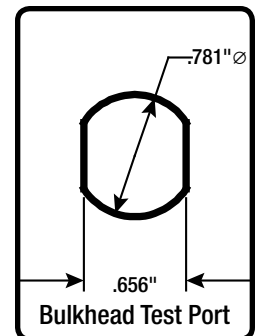
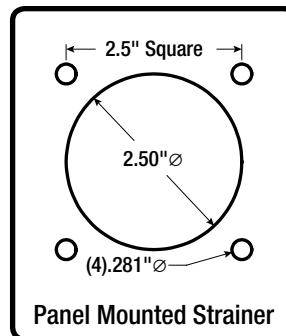
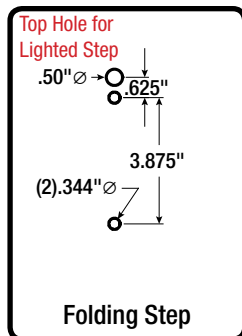
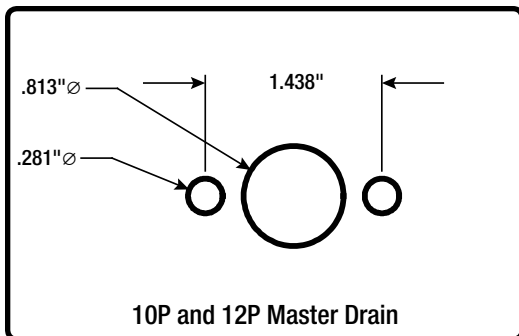
◀ Tru-Flo  
Handwheel



◀ Foamate  
ATP 1.0

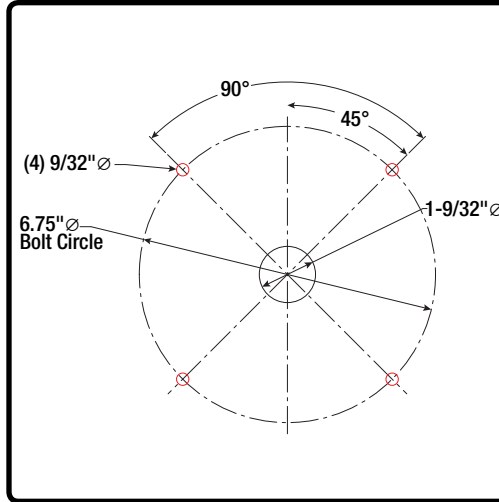
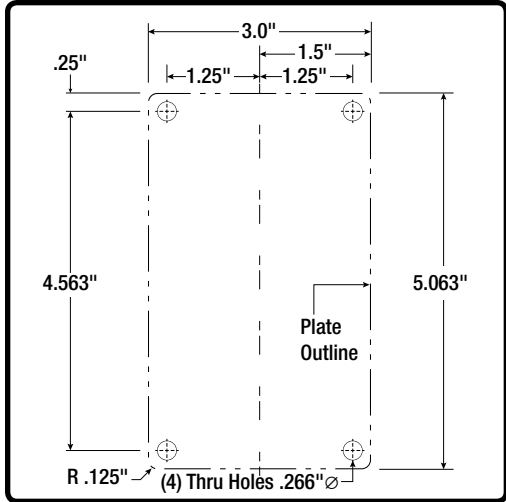


## Templates

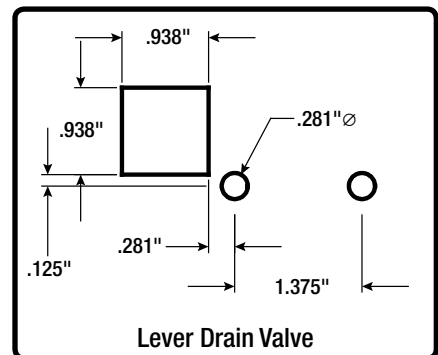
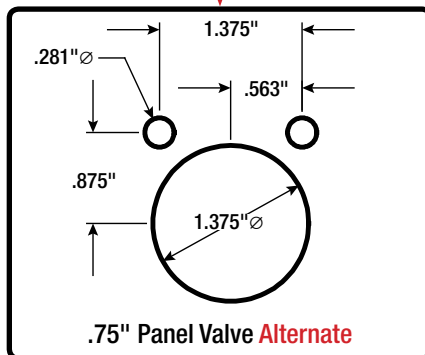
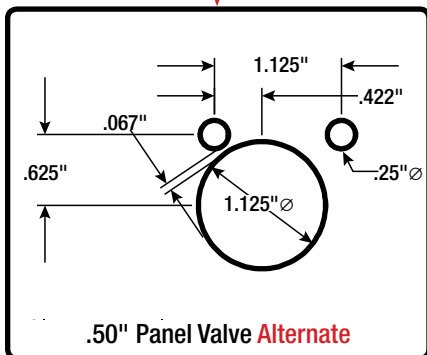
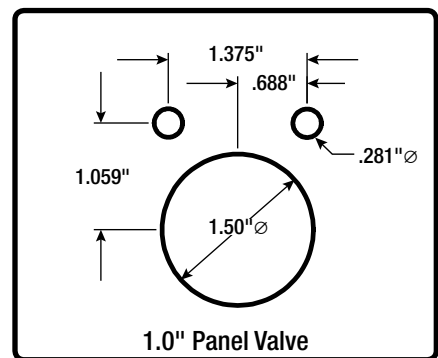
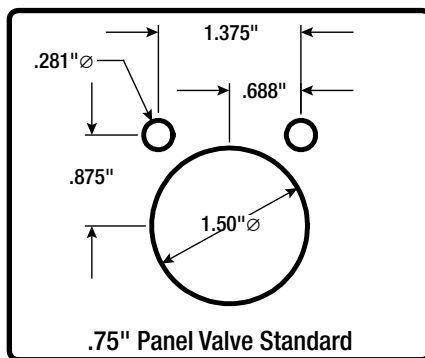
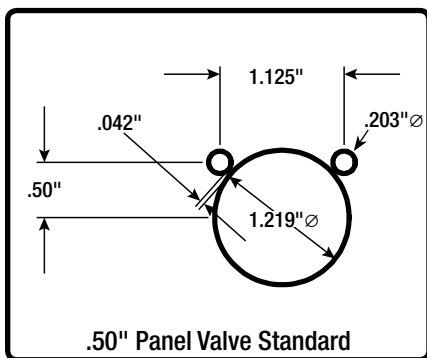
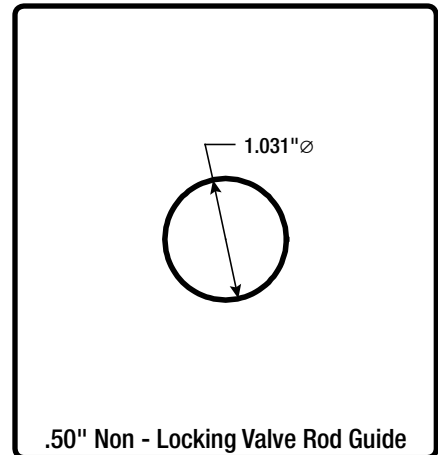
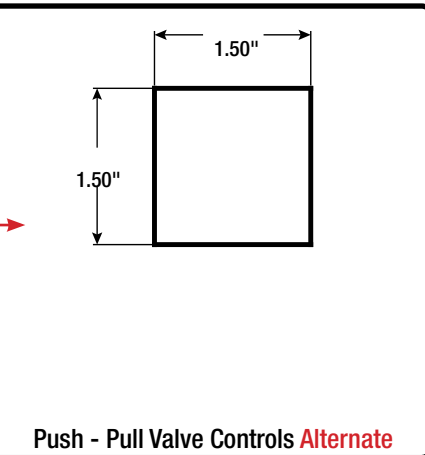
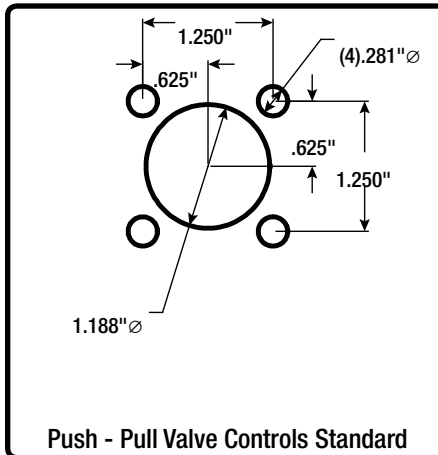
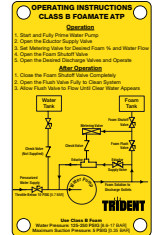


# Panel Templates

Installation Hole Patterns



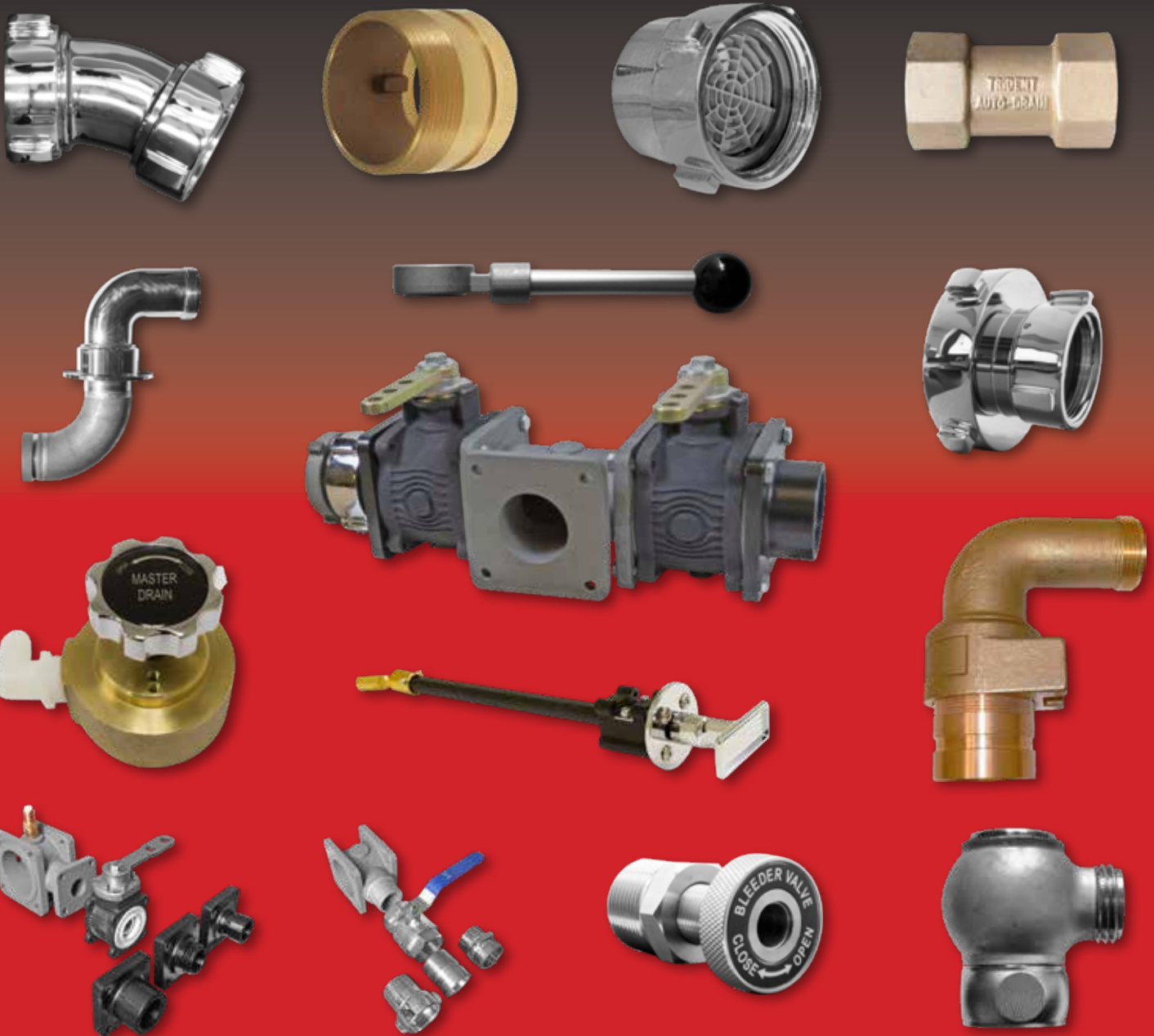
◀ Foamate ATP 2.1



Templates

# TRIDENT

# World Class Components



## Trident Emergency Products, LLC

2940 Turnpike Drive | Suite #9 | Hatboro, PA 19040 USA  
(215) 293-0700 Phone  
(215) 293-0701 Fax  
sales@tridentdirect.com Email

**TridentDirect.com**



<https://www.facebook.com/tridentemergency>

World Class  
Fire Industry  
Products

**Catalog C** 11/1/2019  
List Price